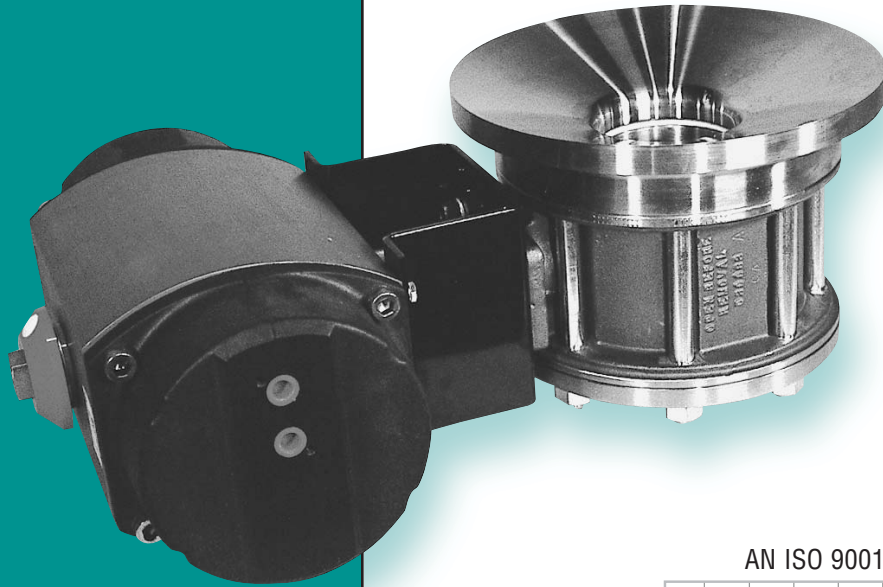


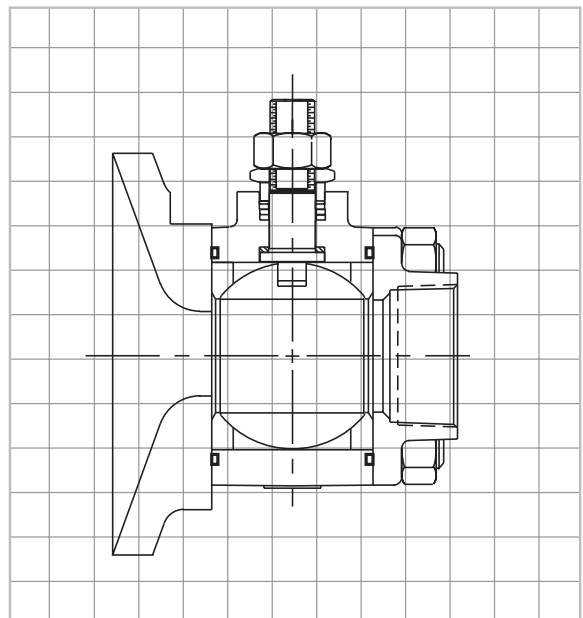


Worcester Control Valves

PB FBT-5



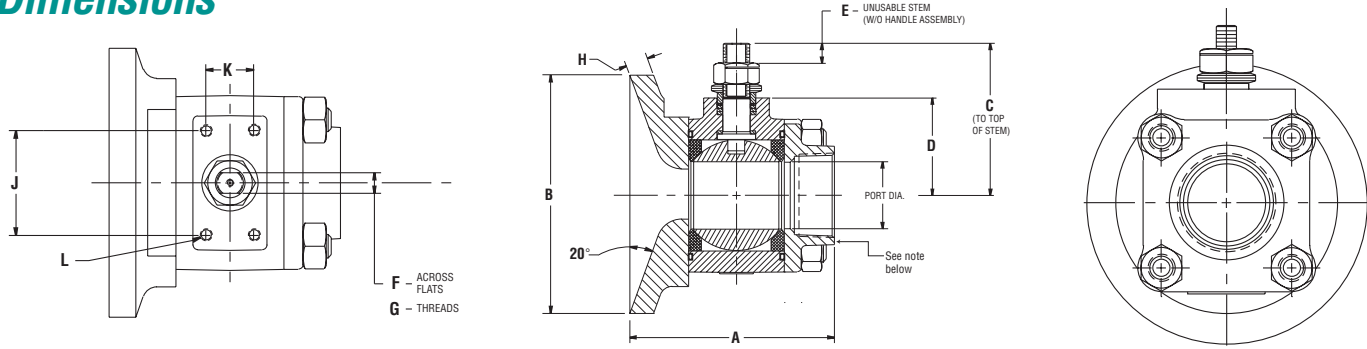
AN ISO 9001 REGISTERED COMPANY



Tank Bottom Valves

*For Biotech, Pharmaceutical, Food,
Chemical and Cosmetics Processing*

Dimensions



Valve Size	A	B	C	D	E	F	G	H	J	K	L	Port	Cv	Weight lbs (kg)
1"	4.09 (104)	4.75 (120.6)	2.38 (60.5)	1.46 (37.1)	.43 (10.9)	.296 (7.52)	7/16-20	.45 (11.4)	1.17 (29.7) Square	—	1/4-20	1.00 (25.4)	110	10.0 (4.5)
1-1/2"	4.96 (126)	5.75 (146.1)	3.06 (77.7)	1.92 (48.8)	.60 (15.2)	.343 (8.71)	9/16-18	.50 (12.7)	1.39 (35.3) Square	—	1/4-20	1.50 (38.1)	350	14.0 (6.4)
2"	6.25 (159)	7.00 (177.8)	4.56 (116)	2.92 (74.2)	.60 (15.2)	.55 (14.0)	M20x2.5	.50 (12.7)	2.75 (69.9)	1.25 (31.8)	M8x1.25	2.00 (50.8)	600	25 (11.4)
3"	7.91 (201)	10.00 (254.0)	6.31 (160)	4.48 (114)	.65 (16.5)	.745 (18.9)	1"-14	.63 (16.0)	3.38 (85.9)	1.75 (44.5)	M10	3.25 (82.6)	1330	70 (31.8)
4"	11.28 (287)	13.00 (330.2)	8.96 (228)	6.19 (157)	1.03 (26.2)	1.12 (28.5)	1-1/2"-12	.95 (24.1)	4.00 (102)	3.00 (76.2)	M12	4.38 (111)	2420	105 (47.7)

How To Order

Value Size	Options	Product Series	Body Material	Ball Stem Material	Seats	Body Seals	End Connection	Variations
1"	Blank - If none X- Cleaned for Oxygen Service	TB59	6 - 316 St. St.	6 - 316 St. St.	T- TFE (1" & 1-1/2" only) R- Reinforced TFE (2" - 4" only) P- Polyfill (all sizes)	T- TFE	SE - Screwed Ends SW- Socket Weld BW1- Butt weld end, Sch. 10	V6 - Source Inspection V17- Grounding Spring V36- Certificate of Compliance V38- Lubricant-free assembly V46- Silicon free lubricant V66- Cert. of Comp. for European valve orders
1-1/2"	V- Cleaned for Vacuum Service							
2"								
3"								
4"								

CAUTION: Ball valves can retain pressurized media in the body cavity when closed. Use care when disassembling. Always open valve to relieve pressure prior to disassembly.

Due to continuous development of our product range, we reserve the right to alter the information contained in this brochure, as required.

Worcester® is a registered trademark of Worcester Controls.

Polyfill® is a registered trademark of Worcester Controls.

Flowserve Corporation has established industry leadership in the design and manufacture of its products. When properly selected, this Flowserve product is designed to perform its intended function safely during its useful life. However, the purchaser or user of Flowserve products should be aware that Flowserve products might be used in numerous applications under a wide variety of industrial service conditions. Although Flowserve can (and often does) provide general guidelines, it cannot provide specific data and warnings for all possible applications. The purchaser/user must therefore assume the ultimate responsibility for the proper sizing and selection, installation, operation, and maintenance of Flowserve products. The purchaser/user should read and understand the Installation Operation Maintenance (IOM) instructions included with the product, and train its employees and contractors in the safe use of Flowserve products in connection with the specific application.

While the information and specifications contained in this literature are believed to be accurate, they are supplied for informative purposes only and should not be considered certified or as a guarantee of satisfactory results by reliance thereon. Nothing contained herein is to be construed as a warranty or guarantee, express or implied, regarding any matter with respect to this product. Because Flowserve is continually improving and upgrading its product design, the specifications, dimensions and information contained herein are subject to change without notice. Should any question arise concerning these provisions, the purchaser/user should contact Flowserve Corporation at any one of its worldwide operations or offices.

For more information about Flowserve Corporation, contact www.flowserve.com or call USA 1 800 225 6989.

FLOWSERVE CORPORATION
FLOW CONTROL DIVISION
 1978 Foreman Drive
 Cookeville, Tennessee 38501 USA
 Phone: 931 432 4021
 Facsimile: 931 432 5518