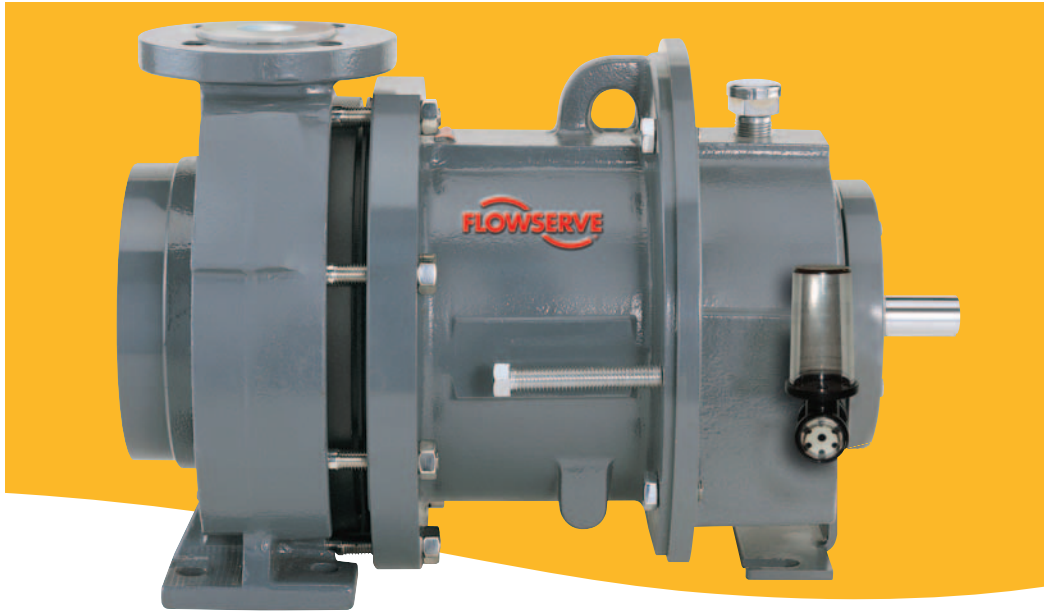
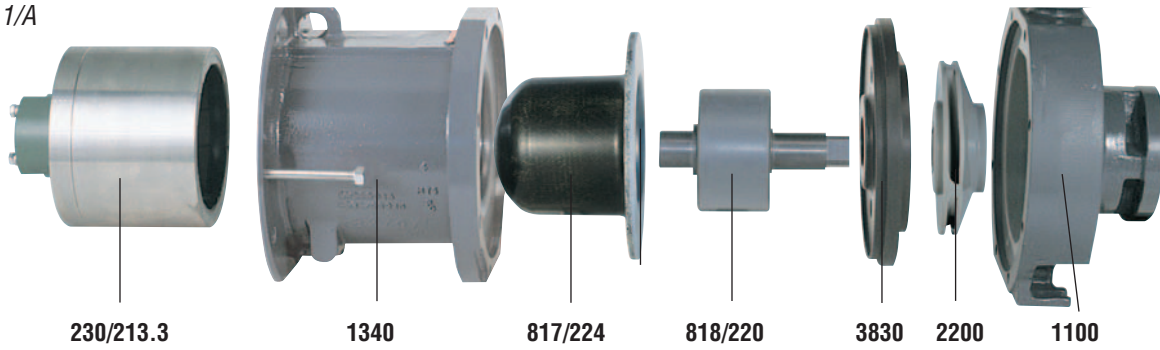


PolyChem M-Series Exploded Views

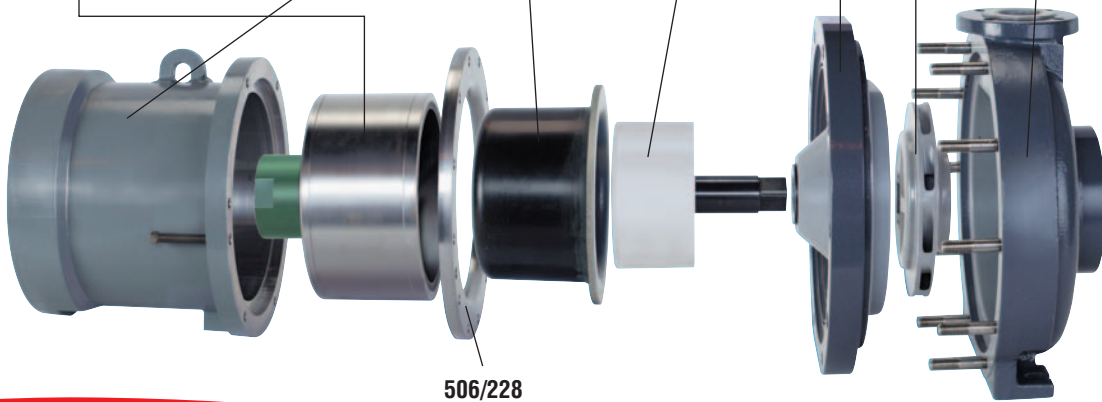
*Comparison
of PolyChem
M-Series
Group 1/A and
Group 2/B
Assemblies*



Group 1/A



Group 2/B

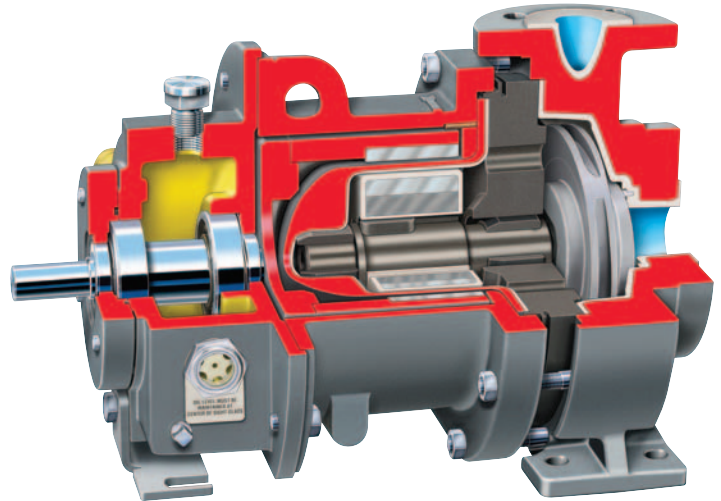


PolyChem Group 1/A

Item Numbers			Description
FPD Standard	ANSI	ISO	
1100	100	102	Casing
1340	108	340	Lantern
2200	103	230	Impeller
3830	205	161	Holder
	230	213.3	Magnet outer
	224	817	Containment Shell
	220	818	Magnet inner

PolyChem Group 2/B

Item Numbers			Description
FPD Standard	ANSI	ISO	
1100	100	102	Casing
1340	108	340	Lantern
2200	103	230	Impeller
3830	205	161	Holder
	230	213.3	Magnet outer
	224	817	Containment Shell
	220	818	Magnet inner
	228	506	Retainer ring



Bulletin PSS-10-17.1 (E) Printed in USA. March 2005.
© Flowserve Corporation

To find your local Flowserve representative:

For more information about Flowserve Corporation, visit www.flowserve.com or call USA 1 800 728 PUMP (7867)

USA and Canada

Flowserve Corporation
Pump Division
5215 North O'Connor Blvd.
Suite 2300
Irving, Texas 75039-5421 USA
Telephone: 1 972 443 6500
Telefax: 1 972 443 6800

Europe, Middle East, Africa

Flowserve Corporation
Pump Division
Via Rossini 90/92
20033 Desio (Milan), Italy
Telephone: 39 0362 6121
Telefax: 39 0362 303396

Latin America and Caribbean

Flowserve Corporation
Pump Division
6840 Wynnwood Lane
Houston, Texas 77008 USA
Telephone: 1 713 803 4434
Telefax: 1 713 803 4497

Asia Pacific

Flowserve Pte. Ltd.
Pump Division
200 Pandan Loop #06-03/04
Pantech 21
Singapore 128388
Telephone: 65 6775 3003
Telefax: 65 6779 4607