



Installation Instructions

BGM Dura Seal®

The Flowserve BGM *Dura Seal* is designed to keep bearing lubricant in the bearing frame. At the same time, it keeps contamination out of the bearing frame. The BGM *Dura Seal* consists of two major components: a stator assembly and a rotor assembly. The seals work in conjunction with a „bull's-eye“ sight gauge to completely isolate the bearing frame from harmful contamination.

Temperature changes in the bearing housing will result in pressure fluctuations. Conventional „constant level“ oilers are not recommended. They are intolerant of such small pressure changes.

Atmospheric Sealing of Bearing Frame

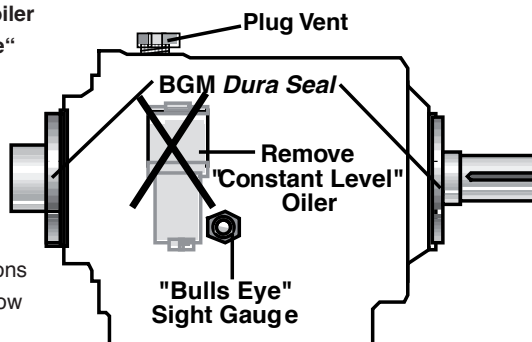
To isolate the bearing frame from environmental conditions such as high humidity, steam or condensation, the following steps **must** be taken before seal assembly.

1. **Remove bearing housing vents.** They are a path for contamination.
2. **Plug each vent.**
3. **Remove the „constant level“ oiler and replace it with a „bulls eye“ sight gauge.** See Figure 1. A minimum $\frac{3}{8}$ " - 18 NPT tapped hole must be provided to accommodate the sight gauge.

4. When applying on equipment using oil mist lubrication, provisions must be made to allow oil mist flow through the bearing housing.

Stator Installation

Figure 1



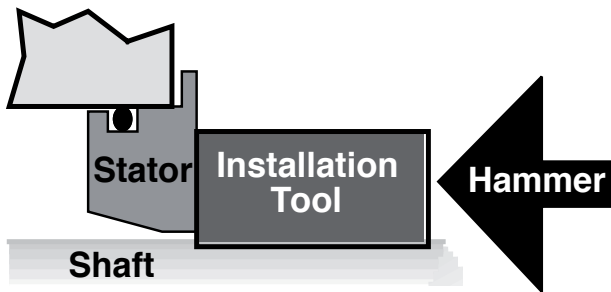
Stator Assembly Installation

The stator assembly, consisting of the stator and the stator mounting ring, can be installed using either an arbor press or the appropriate BGM installation tool.

1. **Remove the oil seals** or other bearing protection devices.
2. **Break the sharp edges** of the housing bores using a file, emery cloth, etc. (0.005" R minimum to 0.030 R maximum)
3. **Apply a light film of silicon lubricant** to the outer diameter of the stator mounting O-ring.
4. **Install the stator assembly** in the housing bore. If you are using an arbor press, use a protective shield such as cardboard, rubber, etc. protect the entire stator sealing surface. If you are using the BGM installation tool, tap the outer end of the tool with a hammer until the stator enters the housing bore, Figure 2. Protective shields are not necessary when using the installation tool.
5. **Do not press the stator flange hard against the bearing housing.** Leave about a 0.020" gap between that stator flange and the housing. Use this gap for final FIM (Full Indicator Movement) adjustments, if needed.
6. **The stator must be square to the shaft within 0.005" FIM** for proper seal performance. If you are using the BGM Installation tool, the stator will be automatically set within 0.005" FIM and no further adjustments are needed. If you are using an arbor press, mount a dial indicator on the shaft and set the indicator on the stator face. Rotate the shaft and read the dial indicator. Adjust the stator so the difference between the maximum and minimum readings is less than 0.005".

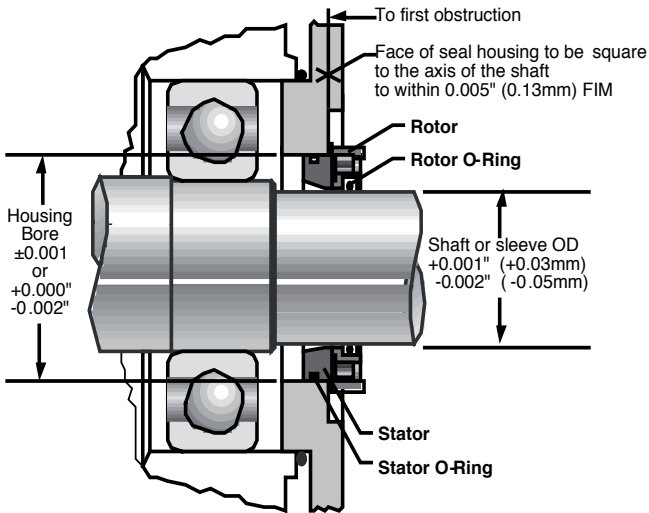
Stator Installation

Figure



Rotor Assembly Installation

1. **Lightly lubricate the rotor O-ring** inside diameter with the silicone grease provided with the BGM *Dura Seal*.
2. **Break the sharp edges** of shaft keyways or grooves using a file, emery cloth, etc., to protect the O-ring from being cut or nicked.
3. Use silicone grease to **lightly lubricate** the shaft that the BGM rotor has to slide over.



- Bearings must be in good condition
- Maximum lateral or axial movement of shaft (end play) 0.015" FIM
- Housing bore to be concentric with shaft 0.003" FIM
- Maximum dynamic shaft deflection at face of housing 0.002" FIM

4. Gently **slide the rotor along the shaft** so that the rotor face seats against the stator face.
Make certain the silicone lubricant does not get on the seal face.
5. Use light finger pressure to ensure the seal faces are making contact.
6. Hold the shaft stationary and rotate the rotor a minimum of one revolution to evenly



TO REORDER REFER TO
B/M # _____
F.O. _____

FIS170 REV 09/18 Printed in USA

**To find your local Flowserve representative
and find out more about Flowserve Corporation,
visit www.flowserve.com**

Flowserve Corporation has established industry leadership in the design and manufacture of its products. When properly selected, this Flowserve product is designed to perform its intended function safely during its useful life. However, the purchaser or user of Flowserve products should be aware that Flowserve products might be used in numerous applications under a wide variety of industrial service conditions. Although Flowserve can provide general guidelines, it cannot provide specific data and warnings for all possible applications. The purchaser/user must therefore assume the ultimate responsibility for the proper sizing and selection, installation, operation, and maintenance of Flowserve products. The purchaser/user should read and understand the Installation Instructions included with the product, and train its employees and contractors in the safe use of Flowserve products in connection with the specific application.

While the information and specifications contained in this literature are believed to be accurate, they are supplied for informative purposes only and should not be considered certified or as a guarantee of satisfactory results by reliance thereon. Nothing contained herein is to be construed as a warranty or guarantee, express or implied, regarding any matter with respect to this product. Because Flowserve is continually improving and upgrading its product design, the specifications, dimensions and information contained herein are subject to change without notice. Should any question arise concerning these provisions, the purchaser/user should contact Flowserve Corporation at any one of its worldwide operations or offices.

© Copyright 2005 Flowserve Corporation

USA and Canada

Kalamazoo, Michigan USA
Telephone: 1 269 381 2650
Telefax: 1 269 382 8726

Europe, Middle East, Africa

Etten-Leur, the Netherlands
Telephone: 31 765 028 200
Telefax: 31 765 028 487

Asia Pacific

Singapore
Telephone: 65 6544 6800
Telefax: 65 6214 0541

Latin America

Mexico City
Telephone: 52 55 5567 7170
Telefax: 52 55 5567 4224

ISO 9000
Certified

