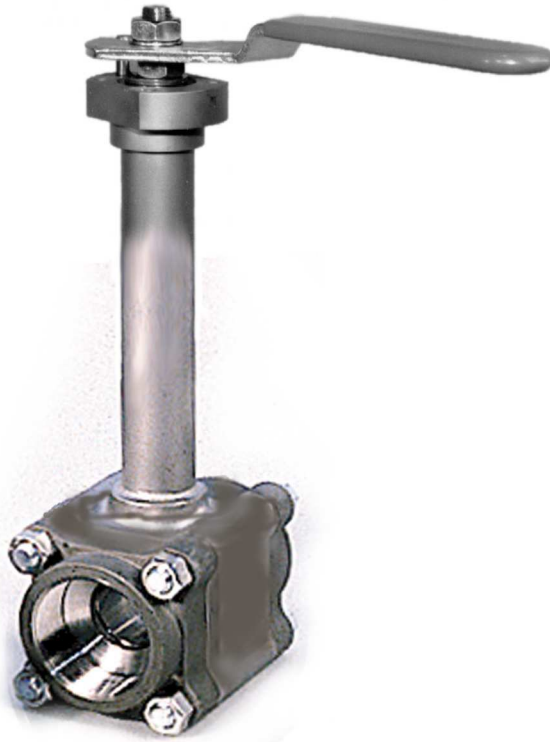
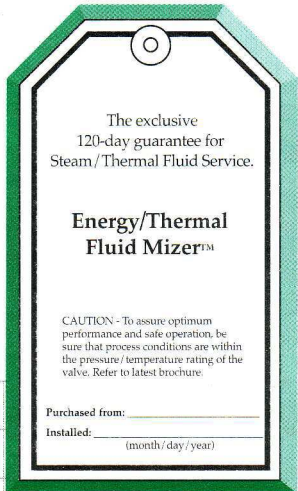
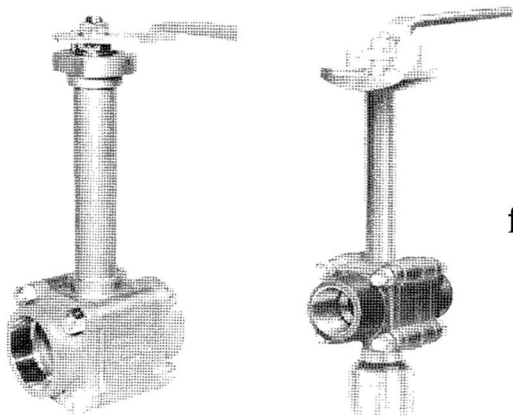




NEW Extended WZ Energy/Thermal Fluid Mizer



**Rugged ball valve with extended
bonnet for insulated thermal fluid applications**



3pc

Diverter

The new **Worcester WZ Extended Thermal Mizer** offers the design advantages of the Mizer series valves for thermal fluids with the advantage of an extended stem and packing. This provides clearance for pipe insulation while allowing clear access to the stem packing.

Features and Benefits include:

- * **Extended packing assembly above insulation for ease of monitoring and service, eliminating insulation damage**
- * **Welded 6" Stem extension for 1/2" through 2" valve sizes. All extensions are 316SS**
- * **Suitable for a variety of fluids and temperatures including steam, Syltherm and Dowtherm at temperature ranges from -80°F to 550°F. Packing utilizes the Worcester "G7" graphite design**
- * **Provides positive shutoff and leaktight integrity for steam and thermal fluids services**
- * **Live Loaded stem seals minimize maintenance and assure years of trouble free service**
- * **OSHA lockout capabilities provide maximum personnel safety**
- * **3-piece design for ease of service**
- * **Vented (V3) ball to reduce damage caused by trapped cavity pressure - bi-directional upstream sealing to 300 psi**

Specifications

Sizes: 1/4" to 2"

Styles: 3-piece, 3-piece Full Port, Diverter

Connections: Screwed, Socket Weld, Butt Weld

Standards: SE valves meet B2.1

BW valves meet B16.34

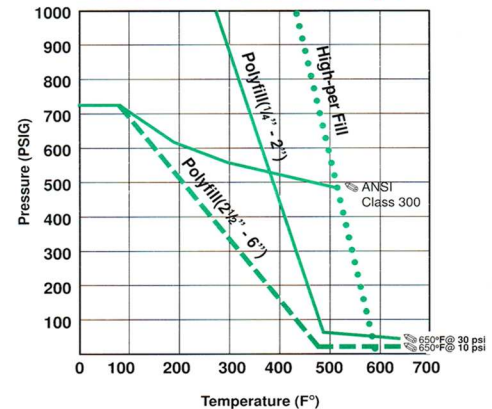
SW valves meet B16.11

API 607 4th Edition fire tested

Pressure Ratings - Thermal Fluids

WZ44 & WZ44 Diverter 1/4"-2" 1000 psi

Thermal Fluid Ratings



How to Order

Size	Operations	Series	Body Mtl.	Ball & Stem	Seat	Seal	End Connection	Variations
1/4" - 2"	Blank - Built with handle oval	WZ44 - 3-piece WZ44 - Diverter	4 - Carbon Steel 6 - Stainless Steel	6 - Stainless Steel	P - Polyfill	M - TFE coated 316 S.S.	SE - Screw End SW - Socket Weld	V-Numbered options

Refer to Thermal Mizer publication SV 601-27 for ordering information.

The Series designation is WZ for the extended model

CONTACT:

Flowserve Corporation
1978 Foreman Drive
Cookeville, TN 38501
800-251-6761
931-432-4021
Fax 931-432-5518

