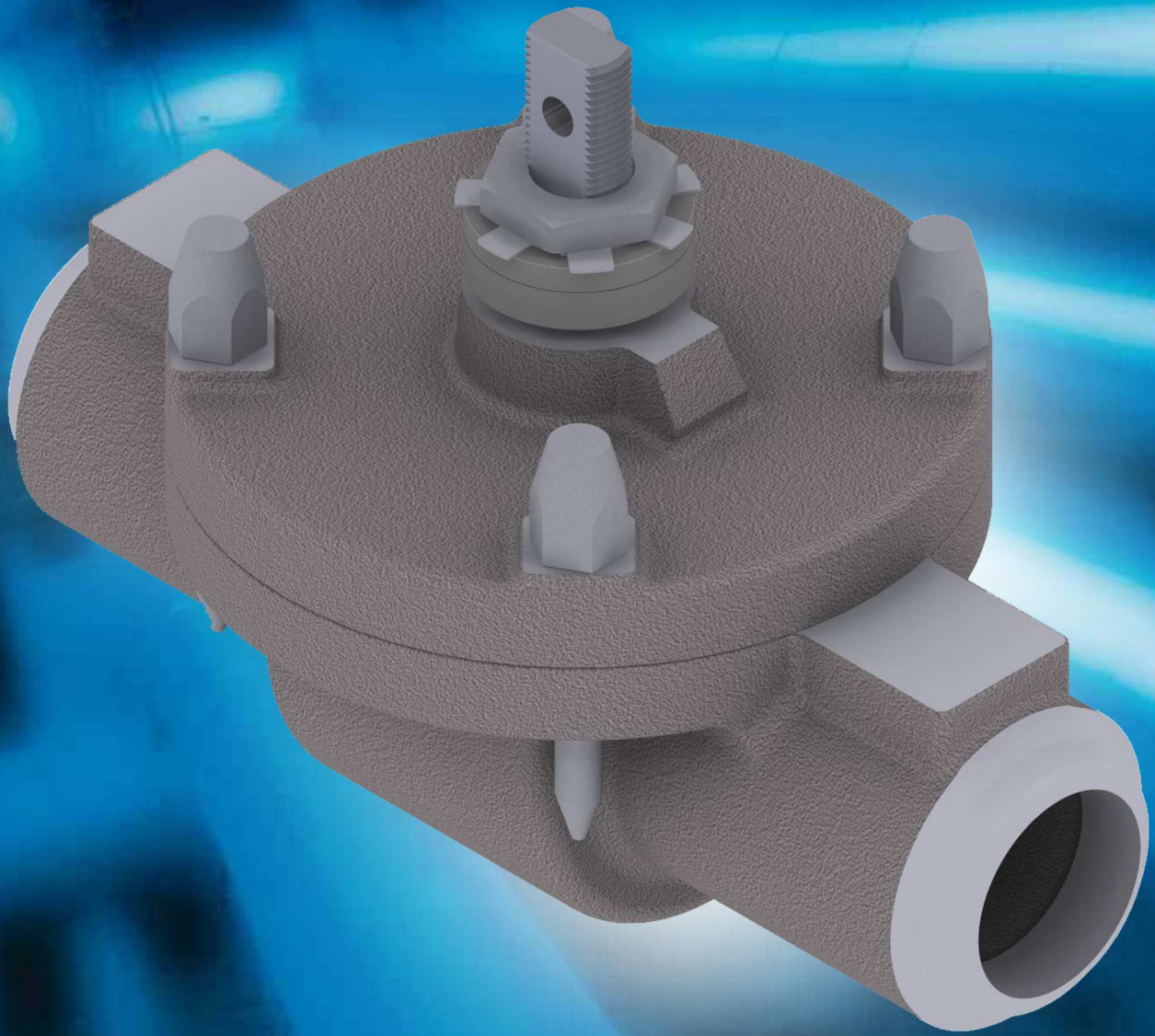




# ***Flowserve McCANNA Cartridge Ball Valve***



*Experience In Motion*

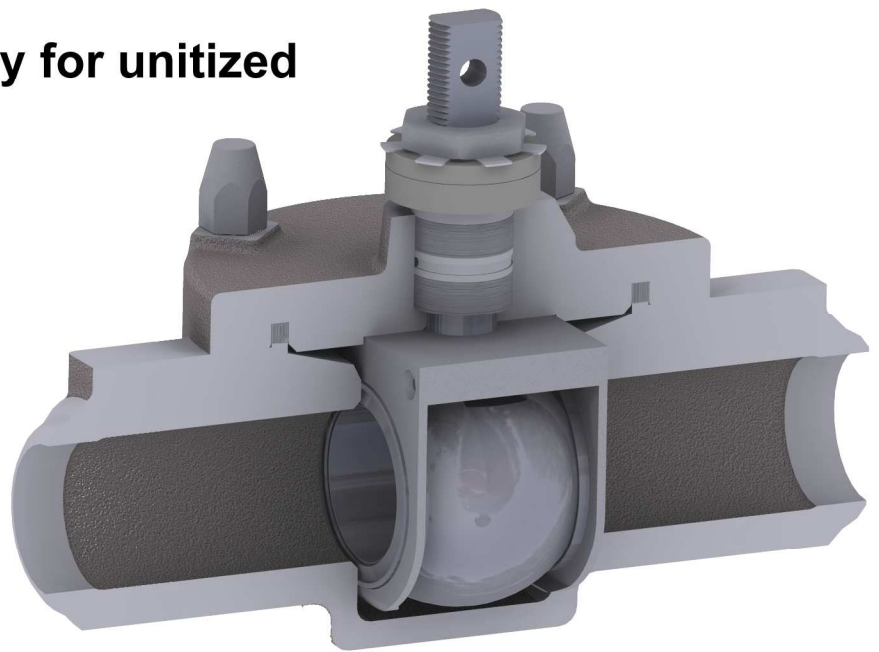
# Replacement Cartridge Design

Renews All Internal Components for Remote Servicing  
in Hazardous Applications

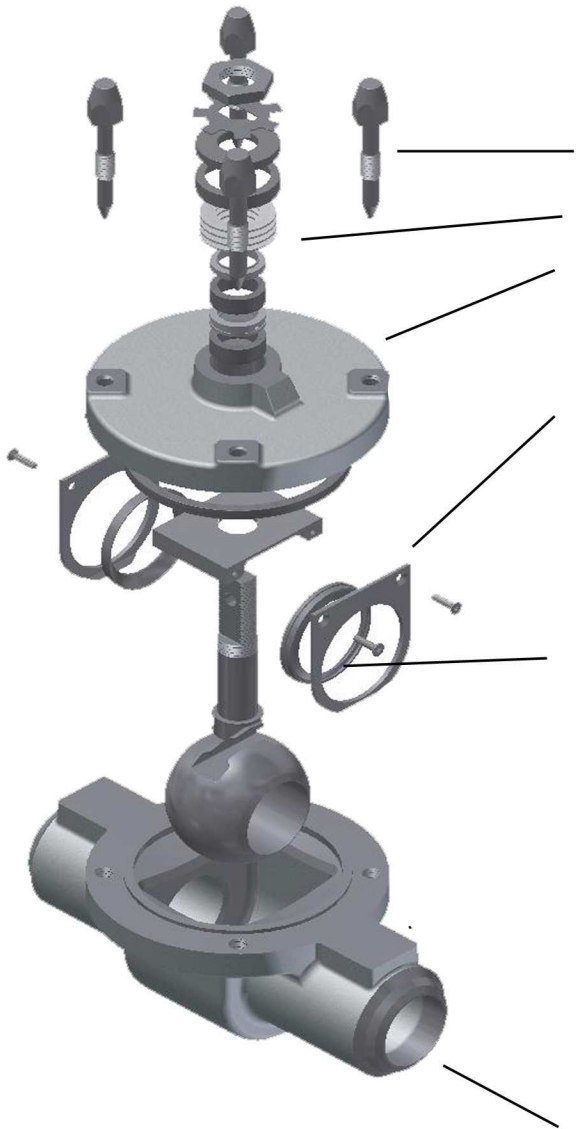
[flowserve.com](http://flowserve.com)



- \* Top Entry design
- \* Single cartridge assembly for unitized repair



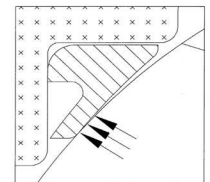
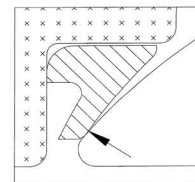
- \* 1/2" - 8"/15mm-200mm Size Range
- \* Pressure Class ANSI 150-900
- \* Temperature capability to 1200F/650C
- \* Full-port design offers obstruction-free flow path for high flow and reduced velocity
- \* Soft and Metal Seat technology



**Captive self-aligning bonnet bolting**  
**Live loaded stem sealing**  
**Bonnet withdraws cartridge assembly**

**Cartridge design simplifies repair in hazardous containment or remote locations**

**Unique one piece metal seat design with good sealing performance over a wide temperature range**  
**Polymer seats for less demanding applications**



Flexible seat design self adjusts to changing process conditions

**One piece body minimizes leak paths**



# OPTIONS

*Flowserve can solve your problems with custom products*

**Size Range: 1/2" to 8"/15mm-200mm**

**Pressure Classes: ANSI 150-900**

**End Connections: RF,BW,SW,TE**

**Materials: Any cast alloy or forged/bar stock**

**Seals: Polymer and graphite**

**Seats: Multiple Metal Seat options - contact factory for details**

**Multiple Soft Seat/Seal options - contact factory for details**

Material	Max Radiation	Max Temp	Strength
UHMWPE	10 <sup>8</sup> Rad	200F ( 93C)	Abrasion resistant
PEEK	10 <sup>8</sup> Rad	525F (274C)	High-temp
EPDM	10 <sup>8</sup> Rad	275F (135C)	Resilient @ Hi dosage
TFM	10 <sup>7</sup> Rad	450F (232C)	Chem-Resistant
Viton(R)	10 <sup>7</sup> Rad	400F (204C)	Chem-Resistant
ETFE (Tefzel(r))	10 <sup>7</sup> Rad	302F (284C)	Chem-Resistant

**Other Options: Custom shaft and bonnet extensions**

**Automation packages**

**Can be manufactured to NQA-1 quality requirements**

***Other available Flowserve Products:***

Worcester F911 cartridge valve. Designed to BS5351, and to meet the fire testing requirements of ISO 10497, the valve can be manufactured from virtually any wrought material to meet the most demanding applications. Available in sizes 15-50 mm with butt weld end connections. Pressure rating 50 bar.



## Ordering

**Contact the factory for application assistance and POA pricing**

Flowserve Corporation has established industry leadership in the design and manufacture of its products. When properly selected, this Flowserve product is designed to perform its intended function safely during its useful life. However, the purchaser or user of Flowserve products should be aware that Flowserve products might be used in numerous applications under a wide variety of industrial service conditions. Although Flowserve can (and often does) provide general guidelines, it cannot provide specific data and warnings for all possible applications. The purchaser/user must therefore assume the ultimate responsibility for the proper sizing and selection, installation, operation, and maintenance of Flowserve products. The purchaser/user should read and understand the Installation Operation Maintenance (IOM) instructions included with the product, and train its employees and contractors in the safe use of Flowserve products in connection with the specific application.

While the information and specifications contained in this literature are believed to be accurate, they are supplied for informative purposes only and should not be considered certified or as a guarantee of satisfactory results by reliance thereon. Nothing contained herein is to be construed as a warranty or guarantee, express or implied, regarding any matter with respect to this product. Because Flowserve is continually improving and upgrading its product design, the specifications, dimensions and information contained herein are subject to change without notice. Should any question arise concerning these provisions, the purchaser/user should contact Flowserve Corporation at any one of its worldwide operations or offices.

© 2005 Flowserve Corporation, Irving, Texas, USA. Flowserve is a registered trademark of Flowserve Corporation.

**United States**

Flowserve Corp.  
Flowserve Flow Control  
1978 Foreman Drive  
Cookeville, TN 38501 USA  
Telephone: 1 931 432 4021  
Telefax: 1 931 432 5518

MMABR1024.00