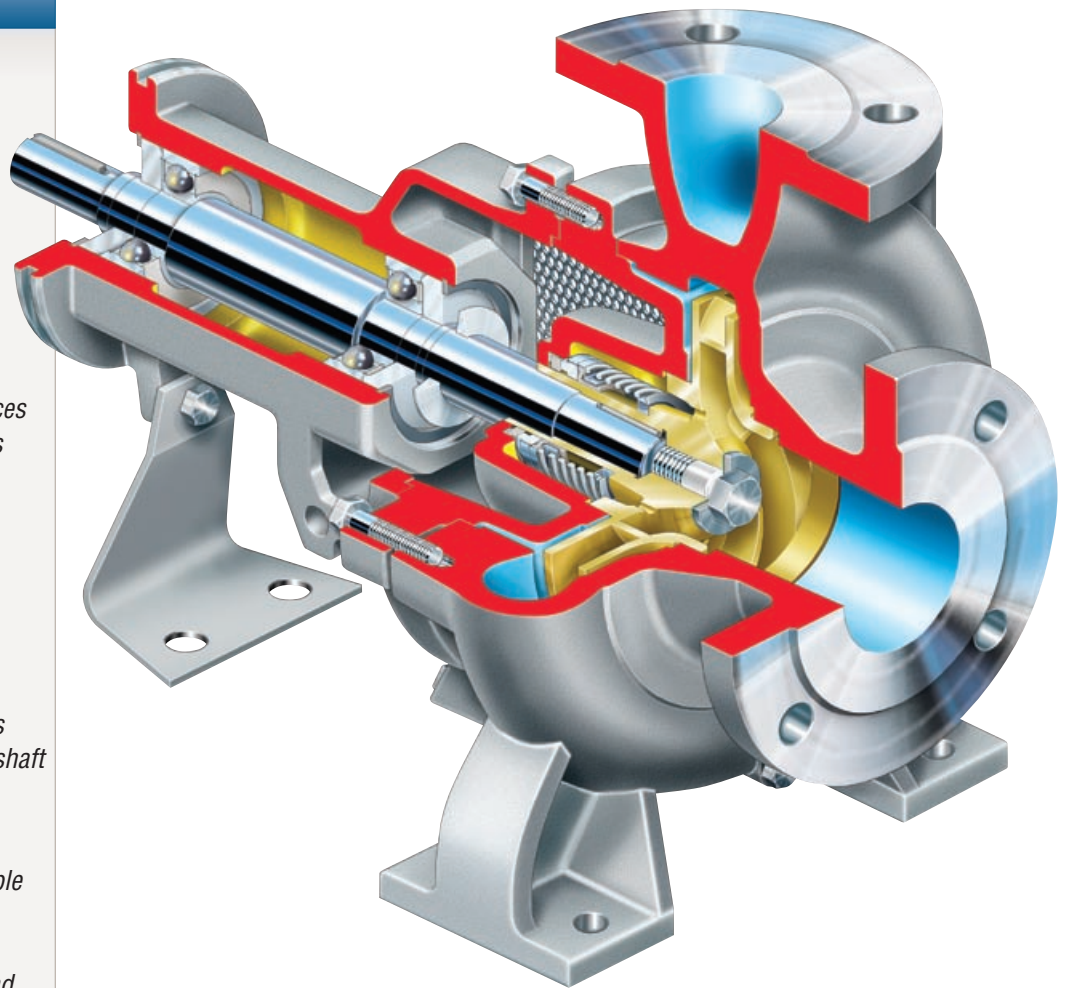


Now Released

Featuring:

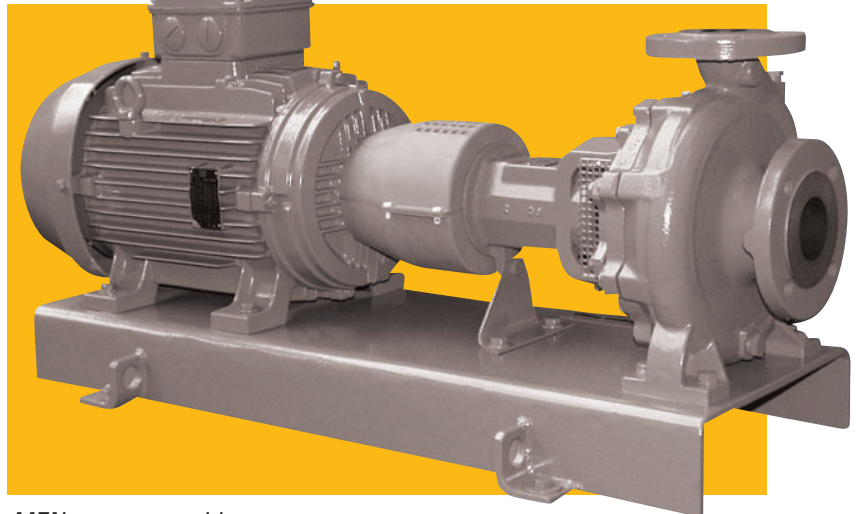
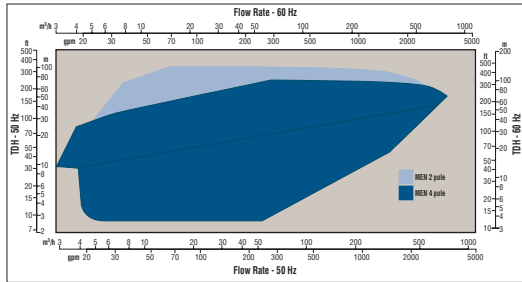
- **Extended Hub Impeller:**
 - Eliminates leakage path
 - Rigid design
 - Reduces inventory
 - Minimizes deflection at seal faces
- **Dual, Cartridge or Component Seal:**
 - Allows for sealing flexibility
 - Will handle more severe services
 - Will accommodate flush plans
 - Featuring double seals option
- **Integral Bell Housing Casing Cover:**
 - Has integral flow modifiers
 - Reduces part count in cover
- **Bearing Frame:**
 - Sealed for life grease bearings
 - High-strength stainless steel shaft
- **High-Pressure Casing:**
 - Allows high suction pressure and greater maximum allowable working pressure
 - Includes raised face flanges
 - Includes discharge suction and drain taps



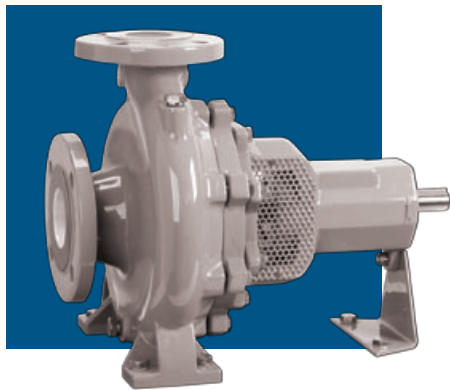
The new MEN family of stainless steel pumps provides a broad range of hydraulic coverage and reliable performance for tough applications.

- Water treatment
- Filter cleaning
- Fire protection
- General industry applications
- Light process duties
- Aggressive services

Stainless Steel MEN Range Chart



MEN pump assembly



MEN stainless steel pump

Materials of Construction

		OPTIONS
Description	Standard	
Casing	Cast Iron	Stainless Steel
Casing Cover With Stuffing Box	Cast Iron	Stainless Steel
Wear Ring		13% Chromium Steel
Impeller	Cast Iron or Bronze	Stainless Steel
Bearing Housing	Cast Iron	
Shaft	13% Chromium Steel	
		Other Chromium Steel*

* Consult factory or a Flowserve representative

To find your local Flowserve representative:

For more information about Flowserve Corporation, visit www.flowserve.com or call USA 1 800 728 PUMP (7867)