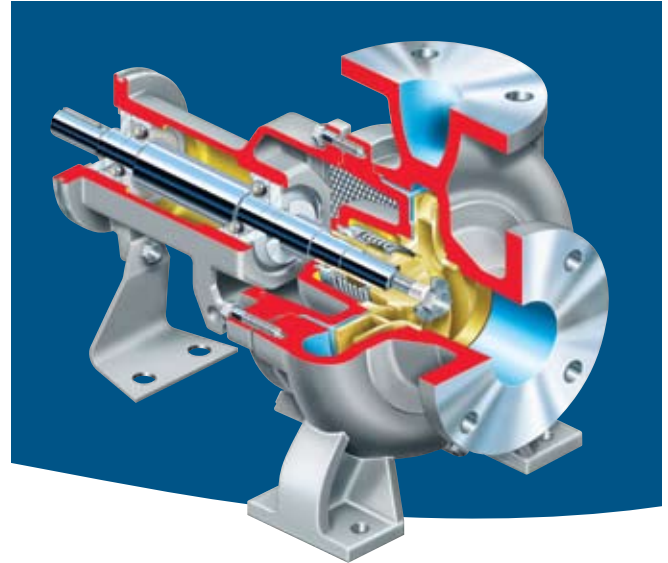


MEN and MENBLOC

End-Suction Water Pumps



Rugged Construction, Reliable Performance

The MEN family of single-stage, end-suction water pumps delivers maximum mechanical and hydraulic flexibility and low total cost of ownership. Available in both frame-mounted and close-coupled configurations, the MEN family of pumps is ruggedly designed to provide long, reliable performance in a variety of water services. Furthermore, the MEN's optimal hydraulics and minimal maintenance need provide users with significant cost savings.

Available in 33 sizes from 50 mm x 32 mm (2 in x 1.25 in) to 200 mm x 150 mm (8 in x 6 in), the MEN family of water pumps consists of multiple designs with varied hydraulic capabilities to meet application needs. MEN water pumps destined for Europe are CE marked and comply with the dimensional requirements of the latest editions of EN 733 and DIN 24 255.

Applications

- Water supply
- Water treatment
- Irrigation
- Drainage
- Filter cleaning
- Fire protection
- General industry
- Water circulation
- HVAC
- Washers

Operating Parameters

- Flows to 800 m³/h (3500 gpm)
- Heads to 140 m (450 ft)
- Pressures to 16 bar (230 psi)
- Temperatures from -10°C (15°F) to 140°C (280°F)
- Speeds to 3500 rpm

Features and Benefits

Volute Casing Design has flanges to ISO PN 10/16 or ANSI B16.1 specifications

Precision Cast Closed Impeller with extended hub has machined shrouds and is dynamically balanced for high efficiency. Axial thrust is minimized by balancing chamber and holes on the rear side

Sturdy Bearing Housing incorporates greased-for-life, large diameter, reinforced ball bearings protected by thrower and covers

Open Seal Chamber features integral vortex breaking ribs to extend the life of mechanical seals

Standard Internal Elastomeric Bellows Mechanical Seal readily accommodates misalignment, end-float and seal face wear. Packing is also available

Oversized Stainless Steel Shaft is conservatively designed to minimize deflection and reduce wear

Back Pullout Design facilitates inspection and maintenance

Materials of Construction

Description	Standard	Options
Casing	Cast Iron	Stainless Steel
Casing Cover With Stuffing Box	Cast Iron	Stainless Steel
Wear Ring		13% Chromium Steel
Impeller	Cast Iron or Bronze	Stainless Steel
Bearing Housing	Cast Iron	
Shaft	13% Chromium Steel	Other Chromium Steel*

* Consult factory or a Flowserve representative

MENBLOC Close-Coupled Design

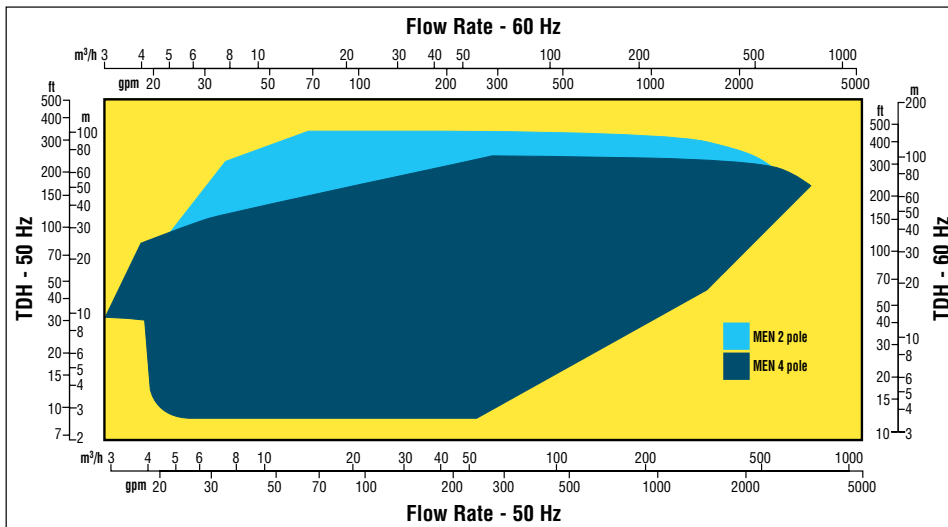
MENBLOC is the close-coupled configuration of the MEN water pump. Not requiring a baseplate or coupling, it is an economical alternative to the frame-mounted MEN. Its reduced footprint also permits its use in tight areas.

Operating Parameters

- Flows to 340 m³/h (1500 gpm)
- Heads to 100 m (330 ft)
- Pressures to 16 bar (230 psi)
- Temperatures to 110°C (230°F)



MEN Range Chart



Additional Options

- Grease lubricated bearings
- Casing wear rings
- Adapter flanges

Bulletin PSS-10-2.1 (E) Printed in USA. August 2008.
© Flowserve Corporation

To find your local Flowserve representative:

For more information about Flowserve Corporation, visit www.flowserve.com or call USA 1 800 728 PUMP (7867)

USA and Canada

Flowserve Corporation
5215 North O'Connor Blvd.
Suite 2300
Irving, Texas 75039-5421 USA
Telephone: 1 937 890 5839

Europe, Middle East, Africa

Flowserve Corporation
Gebouw Hagepoint
Westbroek 39-51
4822 ZX Breda
Netherlands
Telephone: (31) 76 502 8920

Latin America

Flowserve Corporation
Boulevard del Cafetal
Edificio Ninina, Local 7
El Cafetal - Caracas
Venezuela 1061
Telephone: 58 212 985 3092
Telefax: 58 212 985 1007

Asia Pacific

Flowserve Pte. Ltd.
200 Pandan Loop #06-03/04
Pantech 21
Singapore 128388
Telephone: 65 6771 0600
Telefax: 65 6779 4607