



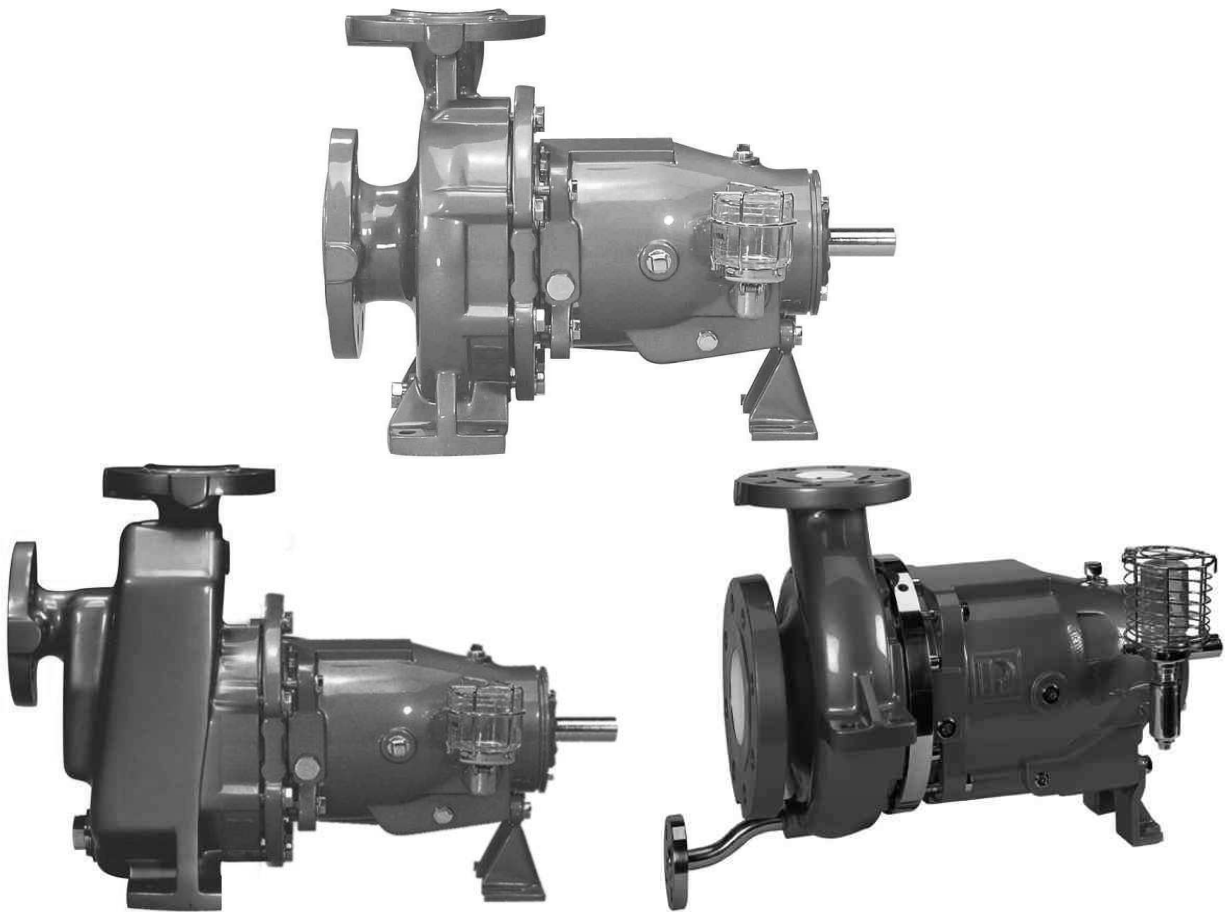
# USER INSTRUCTIONS

## ***CPXS, CPXNS and CPXPS***

Frame mounted, modular design, centrifugal, chemical process pumps with magnetic drive

PCN=71569250 07-11 (E) (Based on C957KH025 and C957KH049.) Original instructions.

## ***Installation Operation Maintenance***



***These instructions must be read prior to installing, operating, using and maintaining this equipment.***

***Experience In Motion***

## CONTENTS

	Page		Page
1	INTRODUCTION AND SAFETY .....	4	
1.1	General .....	4	
1.2	CE marking and approvals .....	4	
1.3	Disclaimer .....	4	
1.4	Copyright.....	4	
1.5	Duty conditions .....	4	
1.6	Safety.....	5	
1.7	Nameplate and safety labels .....	9	
1.8	Specific machine performance.....	9	
1.9	Noise level .....	9	
2	TRANSPORT AND STORAGE .....	10	
2.1	Consignment receipt and unpacking .....	10	
2.2	Handling.....	10	
2.3	Lifting.....	10	
2.4	Storage.....	11	
2.5	Recycling and end of product life.....	11	
3	DESCRIPTION .....	11	
3.1	Configurations.....	12	
3.2	Name nomenclature.....	12	
3.3	Design of major parts.....	12	
3.4	Performance and operating limits .....	12	
4	INSTALLATION .....	13	
4.1	Location .....	13	
4.2	Part assemblies .....	13	
4.3	Foundation .....	13	
4.4	Grouting .....	13	
4.5	Initial alignment.....	13	
4.6	Piping.....	14	
4.7	Electrical connections .....	18	
4.8	Final shaft alignment check .....	18	
4.9	Protection systems.....	18	
5	COMMISSIONING, START-UP, OPERATION AND SHUTDOWN .....	19	
5.1	Pre-commissioning procedure .....	19	
5.2	Pump lubricants .....	20	
5.3	Open impeller clearance .....	21	
5.4	Direction of rotation.....	21	
5.5	Guarding .....	21	
5.6	Priming and auxiliary supplies .....	21	
5.7	Starting the pump.....	21	
5.8	Running the pump.....	22	
5.9	Stopping and shutdown .....	23	
5.10	Hydraulic, mechanical and electrical duty ..	23	
6	MAINTENANCE.....	23	
6.1	General .....	23	
6.2	Maintenance schedule.....	24	
6.3	Spare parts.....	25	
6.4	Recommended spares.....	25	
6.5	Tools required .....	25	
6.6	Fastener torques.....	26	
6.7	Setting impeller clearance .....	26	
6.8	Disassembly .....	26	
6.9	Examination of parts .....	28	
6.10	Magnets .....	29	
6.11	Assembly .....	29	
7	FAULTS; CAUSES AND REMEDIES .....	32	
8	PARTS LISTS AND DRAWINGS .....	34	
8.1	CPXS – frame mounted – coated shaft – PEEK shell.....	34	
8.2	CPXS – frame mounted – sleeved shaft – PEEK shell.....	35	
8.3	CPXS – frame mounted – coated shaft – dual containment .....	36	
8.4	CPXS – frame mounted – sleeved shaft – dual containment .....	37	
8.5	CPXS – frame mounted – coated shaft – metal shell.....	38	
8.6	CPXS – frame mounted – sleeved shaft – metal shell.....	39	
8.7	CPXPS – frame mounted – coated shaft – PEEK shell.....	40	
8.8	CPXPS – frame mounted – sleeved shaft – PEEK shell.....	41	
8.9	CPXPS - auxiliary connection points .....	42	
8.10	CPXS - parts interchangeability.....	43	
8.11	General arrangement drawing.....	44	
9	CERTIFICATION .....	44	
10	OTHER RELEVANT DOCUMENTATION AND MANUALS .....	44	
10.1	Supplementary User Instruction manuals...	44	
10.2	Change notes .....	44	
10.3	Additional sources of information .....	44	

**INDEX**

Page	Page		
Additional sources (10.3).....	44	Part assemblies (4.2).....	13
Alignment of shafting (4.3, 4.5 and 4.7)		Parts lists (8).....	34
Assembly (6.11).....	29	Performance (3.4).....	12
ATEX marking (1.6.4.2).....	7	Piping (4.6).....	14
Bearing sizes and capacities (5.2).....	20	Pre-commissioning (5.1).....	19
CE marking and approvals (1.2).....	4	Priming and auxiliary supplies (5.6).....	21
Certification (9).....	44	Protection systems (4.9).....	18
Change notes (10.2).....	44	Reassembly (6.11, Assembly).....	29
Clearances, impeller (6.7).....	26	Receipt and unpacking (2.1).....	10
Commissioning and operation (5).....	19	Recommended fill quantities (5.2.2).....	20
Compliance, ATEX (1.6.4.1).....	6	Recommended oil lubricants (5.2.1).....	20
Configurations (3.1).....	12	Recommended spares (6.4).....	25
Copyright (1.4).....	4	Recycling (2.5).....	11
Design of major parts (3.3).....	12	Replacement parts (6.3 and 6.4).....	25
Direction of rotation (5.4).....	21	Running the pump (5.8).....	22
Disassembly (6.8).....	26	Safety action (1.6.3).....	5
Disclaimer (1.3).....	4	Safety markings (1.6.1).....	5
Dismantling (6.8, Disassembly).....	26	Safety, protection systems (1.6 and 4.9)	
Drawings (8).....	34	Sectional drawings (8).....	34
Duty conditions (1.5).....	4	Setting impeller clearance (6.7).....	26
Electrical connections (4.7).....	18	Sound pressure level (1.9, Noise level).....	9
End of product life (2.5).....	11	Sources, additional information (10.3).....	44
Examination of parts (6.9).....	28	Spare parts (6.3).....	25
Fastener torques (6.6).....	26	Specific machine performance (1.8).....	9
Faults; causes and remedies (7).....	32	Starting the pump (5.7).....	21
Foundation (4.3).....	13	Stop/start frequency (5.8.3).....	22
General arrangement drawing (8.11).....	44	Stopping and shutdown (5.9).....	23
General assembly drawings (8).....	34	Storage, pump (2.4).....	11
Grouting (4.4).....	13	Storage, spare parts (6.3.2).....	25
Guarding (5.5).....	21	Supplementary manuals or information sources.....	44
Handling (2.2).....	10	Supplementary User Instructions (10.1).....	44
Hydraulic, mechanical and electrical duty (5.10).....	23	Thermal expansion (4.5.1).....	13
Impeller clearance (5.3 and 6.7)		Tools required (6.5).....	25
Inspection (6.2.1 and 6.2.2).....	24	Torques for fasteners (6.6).....	26
Installation (4).....	13	Trouble-shooting (7).....	32
Lifting (2.3).....	10	Vibration (5.8.2).....	22
Location (4.1).....	13	Safety labels (1.7.2).....	9
Lubrication (5.1.1, 5.2 and 6.2.3)			
Lubrication schedule (5.2.3).....	20		
Magnets (6.10).....	29		
Maintenance (6).....	23		
Maintenance schedule (6.2).....	24		
Name nomenclature (3.2).....	12		
Nameplate (1.7.1).....	9		
Operating limits (3.4.1).....	12		
Ordering spare parts (6.3.1).....	25		

## 1 INTRODUCTION AND SAFETY

### 1.1 General



***These instructions must always be kept close to the product's operating location or directly with the product.***

Flowserve products are designed, developed and manufactured with state-of-the-art technologies in modern facilities. The unit is produced with great care and commitment to continuous quality control, utilising sophisticated quality techniques and safety requirements.

Flowserve is committed to continuous quality improvement and being at service for any further information about the product in its installation and operation or about its support products, repair and diagnostic services.

These instructions are intended to facilitate familiarization with the product and its permitted use. Operating the product in compliance with these instructions is important to help ensure reliability in service and avoid risks. The instructions may not take into account local regulations; ensure such regulations are observed by all, including those installing the product. Always coordinate repair activity with operations personnel, and follow all plant safety requirements and applicable safety and health laws and regulations.



***These instructions must read prior to installing, operating, using and maintaining the equipment in any region worldwide. The equipment must not be put into service until all the conditions relating to safety, noted in the instructions, have been met. . Failure to follow and apply the present user instructions is considered to be misuse. Personal injury, product damage, delay or failure caused by misuse are not covered by the Flowserve warranty.***

### 1.2 CE marking and approvals

It is a legal requirement that machinery and equipment put into service within certain regions of the world shall conform with the applicable CE Marking Directives covering Machinery and, where applicable, Low Voltage Equipment, Electromagnetic Compatibility (EMC), Pressure Equipment Directive (PED) and Equipment for Potentially Explosive Atmospheres (ATEX).

Where applicable, the Directives and any additional Approvals, cover important safety aspects relating to

machinery and equipment and the satisfactory provision of technical documents and safety instructions. Where applicable this document incorporates information relevant to these Directives and Approvals.

To confirm the Approvals applying and if the product is CE marked, check the serial number plate markings and the Certification. (See section 9, *Certification*.)

### 1.3 Disclaimer

**Information in these User Instructions is believed to be complete and reliable. However, in spite of all of the efforts of Flowserve Corporation to provide comprehensive instructions, good engineering and safety practice should always be used.**

Flowserve manufactures products to exacting International Quality Management System Standards as certified and audited by external Quality Assurance organisations. Genuine parts and accessories have been designed, tested and incorporated into the products to help ensure their continued product quality and performance in use. As Flowserve cannot test parts and accessories sourced from other vendors the incorrect incorporation of such parts and accessories may adversely affect the performance and safety features of the products. The failure to properly select, install or use authorised Flowserve parts and accessories is considered to be misuse. Damage or failure caused by misuse is not covered by the Flowserve warranty. In addition, any modification of Flowserve products or removal of original components may impair the safety of these products in their use.

### 1.4 Copyright

All rights reserved. No part of these instructions may be reproduced, stored in a retrieval system or transmitted in any form or by any means without prior permission of Flowserve Pump Division.

### 1.5 Duty conditions

This product has been selected to meet the specifications of your purchaser order. The acknowledgement of these conditions has been sent separately to the Purchaser. A copy should be kept with these instructions.




***The product must not be operated beyond the parameters specified for the application. If there is any doubt as to the suitability of the product for the application intended, contact Flowserve for advice, quoting the serial number.***


If the conditions of service on your purchase order are going to be changed (for example liquid pumped, temperature or duty) it is requested that the user seek written agreement of Flowserve before start up.


## 1.6 Safety


### 1.6.1 Summary of safety markings


These User Instructions contain specific safety markings where non-observance of an instruction would cause hazards. The specific safety markings are:


 **DANGER** This symbol indicates electrical safety instructions where non-compliance will involve a high risk to personal safety or the loss of life.


 This symbol indicates safety instructions where non-compliance would affect personal safety and could result in loss of life.

 This symbol indicates “hazardous and toxic fluid” safety instructions where non-compliance would affect personal safety and could result in loss of life.

 **CAUTION** This symbol indicates safety instructions where non-compliance will involve some risk to safe operation and personal safety and would damage the equipment or property.

 This symbol indicates “strong magnetic field” safety instructions where non-compliance would affect personal safety, pacemakers, instruments, or stored data sensitive to magnetic fields.

 This symbol indicates explosive atmosphere zone marking according to ATEX. It is used in safety instructions where non-compliance in the hazardous area would cause the risk of an explosion.

 This symbol is used in safety instructions to remind not to rub non-metallic surfaces with a dry cloth; ensure the cloth is damp. It is used in safety instructions where non-compliance in the hazardous area would cause the risk of an explosion.

**Note:** This sign is not a safety symbol but indicates an important instruction in the assembly process.

### 1.6.2 Personnel qualification and training


All personnel involved in the operation, installation, inspection and maintenance of the unit must be qualified to carry out the work involved. If the personnel in question do not already possess the necessary knowledge and skill, appropriate training and instruction must be provided. If required the operator may commission the manufacturer/supplier to provide applicable training.


Always coordinate repair activity with operations and health and safety personnel, and follow all plant safety requirements and applicable safety and health laws and regulations.


### 1.6.3 Safety action


***This is a summary of conditions and actions to help prevent injury to personnel and damage to the environment and to equipment. For products used in potentially explosive atmospheres section 1.6.4 also applies.***


 **DANGER** NEVER DO MAINTENANCE WORK WHEN THE UNIT IS CONNECTED TO POWER


 NEVER OPERATE THE PUMP WITHOUT THE COUPLING GUARD AND ALL OTHER SAFETY DEVICES CORRECTLY INSTALLED

 GUARDS MUST NOT BE REMOVED WHILE THE PUMP IS OPERATIONAL


 DRAIN THE PUMP AND ISOLATE PIPEWORK BEFORE DISMANTLING THE PUMP The appropriate safety precautions should be taken where the pumped liquids are hazardous.

 **FLUORO-ELASTOMERS** (When fitted.) When a pump has experienced temperatures over 250 °C (482 °F), partial decomposition of fluoro-elastomers (example: Viton) will occur. In this condition these are extremely dangerous and skin contact must be avoided.

 **HANDLING COMPONENTS** Many precision parts have sharp corners and the wearing of appropriate safety gloves and equipment is required when handling these components. To lift heavy pieces above 25 kg (55 lb) use a crane appropriate for the mass and in accordance with current local regulations.

 **HIGH MAGNETIC FIELDS** Great care should be taken when assembling/dismantling magnetic rotors, where fitted, because of the very high forces which can be created by the magnets.

**Persons with pacemakers and any instrumentation etc sensitive to magnetic fields should be kept well away from the magnetic drive unit during dismantling.**

 **THERMAL SHOCK** Rapid changes in the temperature of the liquid within the pump can cause thermal shock, which can result

in damage or breakage of components and should be avoided.

NEVER APPLY HEAT TO REMOVE IMPELLER  
Trapped lubricant or vapour could cause an explosion.

HOT (and cold) PARTS  
If hot or freezing components or auxiliary heating supplies can present a danger to operators and persons entering the immediate area action must be taken to avoid accidental contact. If complete protection is not possible, the machine access must be limited to maintenance staff only, with clear visual warnings and indicators to those entering the immediate area.

**Note:** bearing housings must not be insulated and drive motors and bearings may be hot.

**If the temperature is greater than 80 °C (175°F) or below -5 °C (23 °F) in a restricted zone, or exceeds local regulations, action as above shall be taken.**

HAZARDOUS LIQUIDS  
When the pump is handling hazardous liquids care must be taken to avoid exposure to the liquid by appropriate siting of the pump, limiting personnel access and by operator training. If the liquid is flammable and/or explosive, strict safety procedures must be applied.

CAUTION PREVENT EXCESSIVE EXTERNAL PIPE LOAD  
Do not use pump as a support for piping. Do not mount expansion joints, unless allowed by Flowserve in writing, so that their force, due to internal pressure, acts on the pump flange.

CAUTION NEVER RUN THE PUMP DRY

CAUTION ENSURE CORRECT LUBRICATION (See section 5, *Commissioning, startup, operation and shutdown.*)

CAUTION ONLY CHECK DIRECTION OF MOTOR ROTATION WITH COUPLING SPACER PIECE REMOVED  
Starting in reverse direction of rotation will damage the pump.

CAUTION NEVER EXCEED THE MAXIMUM DESIGN PRESSURE (MDP) AT THE WORKING TEMPERATURE OF THE PUMP NAMEPLATE

CAUTION START THE PUMP WITH OUTLET VALVE PART OPENED

(Unless otherwise instructed at a specific point in the User Instructions.)

This is recommended to minimize the risk of overloading and damaging the pump or motor at full or zero flow. Pumps may be started with the valve further open only on installations where this situation cannot occur. The pump outlet control valve may need to be adjusted to comply with the duty following the run-up process. (See section 5, *Commissioning start-up, operation and shutdown.*)

CAUTION INLET VALVES TO BE FULLY OPEN WHEN PUMP IS RUNNING

Running the pump at zero flow or below the recommended minimum flow continuously will cause damage to the pump.

CAUTION DO NOT RUN THE PUMP AT ABNORMALLY HIGH OR LOW FLOW RATES  
Operating at a flow rate higher than normal or at a flow rate with no back pressure on the pump may overload the motor and cause cavitation. Low flow rates may cause a reduction in pump/bearing life, overheating of the pump, instability and cavitation/vibration.

#### 1.6.4 Products used in potentially explosive atmospheres

Measures are required to:

- Avoid excess temperature
- Prevent build up of explosive mixtures
- Prevent the generation of sparks
- Prevent leakages
- Maintain the pump to avoid hazard

The following instructions for pumps and pump units when installed in potentially explosive atmospheres must be followed to help ensure explosion protection. For ATEX, both electrical and non-electrical equipment must meet the requirements of European Directive 94/9/EC. Always observe the regional legal Ex requirements eg Ex electrical items outside the EU may be required certified to other than ATEX eg IECEx, UL.

##### 1.6.4.1 Scope of compliance

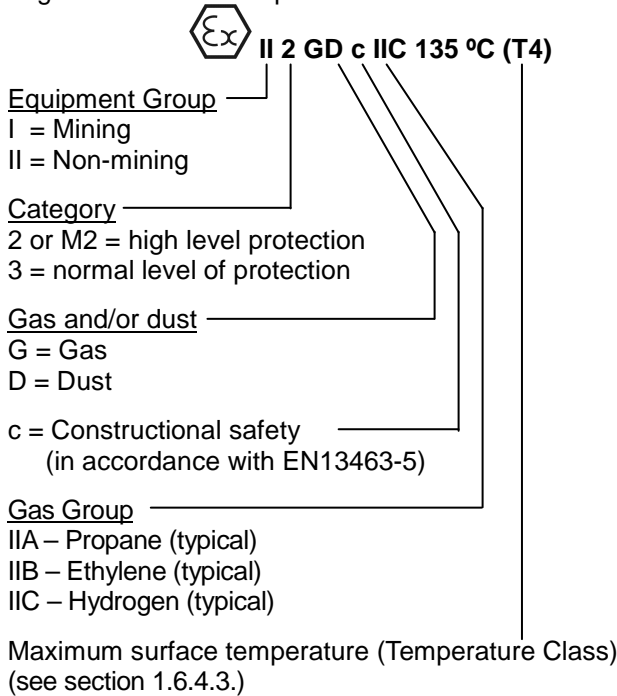
Use equipment only in the zone for which it is appropriate. Always check that the driver, drive coupling assembly, seal and pump equipment are suitably rated and/or certified for the classification of the specific atmosphere in which they are to be installed.

Where Flowserve has supplied only the bare shaft pump, the Ex rating applies only to the pump. The party responsible for assembling the ATEX set shall select the coupling, driver and any additional equipment, with the necessary CE Certificate/ Declaration of Conformity establishing it is suitable for the area in which it is to be installed.

The output from a variable frequency drive (VFD) can cause additional heating effects in the motor. On pumps sets controlled by a VFD, the ATEX Certification for the motor must state that it covers the situation where electrical supply is from the VFD. This particular requirement still applies even if the VFD is in a safe area.

**1.6.4.2 Marking**

An example of ATEX equipment marking is shown below. The actual classification of the pump will be engraved on the nameplate.



**1.6.4.3 Avoiding excessive surface temperatures**



ENSURE THE EQUIPMENT TEMPERATURE CLASS IS SUITABLE FOR THE HAZARD ZONE

Pumps have a temperature class as stated in the ATEX Ex rating on the nameplate. These are based on a maximum ambient of 40 °C (104 °F); refer to Flowserve for higher ambient temperatures.

The surface temperature on the pump is influenced by the temperature of the liquid handled. The

maximum permissible liquid temperature depends on the temperature class and must not exceed the values in the table that follows.

The temperature rise at the bearings and due to the minimum permitted flow rate is taken into account in the temperatures stated.

Temperature class to EN13463-1	Maximum surface temperature permitted	Temperature limit of liquid handled
T6	85 °C (185 °F)	Consult Flowserve
T5	100 °C (212 °F)	Consult Flowserve
T4	135 °C (275 °F)	115 °C (239 °F) *
T3	200 °C (392 °F)	180 °C (356 °F) *
T2	300 °C (572 °F)	275 °C (527 °F) *

**Maximum permitted liquid temperature for pumps with self priming casing**

Temperature class to EN13463-1	Maximum surface temperature permitted	Temperature limit of liquid handled
T6	85 °C (185 °F)	Consult Flowserve
T5	100 °C (212 °F)	Consult Flowserve
T4	135 °C (275 °F)	110 °C (230 °F) *
T3	200 °C (392 °F)	175 °C (347 °F) *
T2	300 °C (572 °F)	270 °C (518 °F) *

\* The table only takes the ATEX temperature class into consideration. Pump design or material, as well as component design or material, may further limit the maximum working temperature of the liquid.

**The responsibility for compliance with the specified maximum liquid temperature is with the plant operator.**

Temperature classification “Tx” is used when the liquid temperature varies and when the pump is required to be used in differently classified potentially explosive atmospheres. In this case the user is responsible for ensuring that the pump surface temperature does not exceed that permitted in its actual installed location.

Avoid mechanical, hydraulic or electrical overload by using motor overload trips, temperature monitors or a power monitor and make routine vibration monitoring checks.

In dirty or dusty environments, make regular checks and remove dirt from areas around close clearances, bearing housings and motors.

Where there is any risk of the pump being run against a closed valve generating high liquid and casing external surface temperatures fit an external surface temperature protection device.

Do not attempt to check the direction of rotation with the coupling spacer fitted due to the risk of severe contact between rotating and stationary components.

**Additional requirements for CPXPS pumps only**

Where the system operation does not ensure control of priming, as defined in the User Instructions, and the maximum permitted surface temperature of the T Class could be exceeded, the user shall fit an external surface temperature protection device.

**1.6.4.4 Preventing the build up of explosive mixtures**



ENSURE THE PUMP IS PROPERLY FILLED AND VENTED AND DOES NOT RUN DRY

Ensure the pump and relevant suction and discharge pipeline system is totally filled with liquid at all times during the pump operation, so that an explosive atmosphere is prevented. In addition it is essential to make sure that any heating and cooling systems are properly filled.

If the operation of the system cannot avoid this condition, fit an appropriate dry run protection device (for example liquid detection or a power monitor).

To avoid potential hazards from fugitive emissions of vapour or gas to atmosphere the surrounding area must be well ventilated.

**1.6.4.5 Preventing sparks**



To prevent a potential hazard from mechanical contact, the coupling guard must be non-sparking for category 2 equipment.

To avoid the potential hazard from random induced current generating a spark, the baseplate must be properly grounded.



Avoid electrostatic charge: do not rub non-metallic surfaces with a dry cloth; ensure cloth is damp.

For ATEX the coupling must be selected to comply with 94/9/EC. Correct coupling alignment must be maintained.

**Additional requirement for metallic pumps on non-metallic baseplates**

When metallic components are fitted on a non-metallic baseplate they must be individually earthed.

**1.6.4.6 Preventing leakage**



The pump must only be used to handle liquids for which it has been approved to have the correct corrosion resistance.

Avoid entrapment of liquid in the pump and associated piping due to closing of suction and discharge valves, which could cause dangerous excessive pressures to occur if there is heat input to the liquid. This can occur if the pump is stationary or running.

Bursting of liquid containing parts due to freezing must be avoided by draining or protecting the pump and ancillary systems.

Where there is the potential hazard of a loss of an external flush, the fluid must be monitored.

If leakage of liquid to atmosphere can result in a hazard, install a liquid detection device.

**1.6.4.7 Maintenance to avoid the hazard**



CORRECT MAINTENANCE IS REQUIRED TO AVOID POTENTIAL HAZARDS WHICH GIVE A RISK OF EXPLOSION

***The responsibility for compliance with maintenance instructions is with the plant operator.***

To avoid potential explosion hazards during maintenance, the tools, cleaning and painting materials used must not give rise to sparking or adversely affect the ambient conditions. Where there is a risk from such tools or materials, maintenance must be conducted in a safe area.

It is recommended that a maintenance plan and schedule is adopted. (See section 6, *Maintenance*.)



## 1.7 Nameplate and safety labels

### 1.7.1 Nameplate

For details of nameplate, see the *Declaration of Conformity*, or separate documentation included with these User Instructions.

### 1.7.2 Safety labels

<b>FLOWSERVE</b>		<b>WARNING</b>	J218/JZ250
ESSENTIAL PROCEDURES BEFORE STARTING:			
INSTALL AND OPERATE EQUIPMENT IN ACCORDANCE WITH THE INSTRUCTION MANUAL SUPPLIED SEPARATELY. ENSURE GUARDS ARE SECURELY IN PLACE. ENSURE CORRECT DIRECTION OF ROTATION.	ENSURE ALL EXTERNAL CONNECTIONS TO THE PUMP / SHAFT SEALING AND DRIVER ARE CONNECTED AND OPERATIONAL. FULLY PRIME UNIT AND SYSTEM. DO NOT RUN UNIT DRY. FAILURE TO FOLLOW THESE PROCEDURES MAY RESULT IN PERSONAL INJURY AND / OR EQUIPMENT DAMAGE		

J218/JZ265	
ENSURE CORRECT DRIVER DIRECTION OF ROTATION WITH COUPLING ELEMENT / PINS REMOVED: OTHERWISE SERIOUS DAMAGE MAY RESULT. VERIFIER LE SENS CORRECT DE ROTATION DU MOTEUR. POMPE DESACCOUPLEE / ENTRETOISE DEMONTEE. NE PAS SUIVRE CETTE RECOMMANDATION PEUT CONDUIRE A DE GRAVES DOMMAGES POUR LA POMPE	KONTROLLE VORGESCHRIEBENER DREHRICHTUNG ! HIERZU KUPPLUNGSZWISCHENSTÜCK / KUPPLUNGSBOLZEN ENTFERNEN. ANDERENFALLS ERNSTHAFTE SCHÄDEN ! ZORG VOOR JUISTE ROTATIERICHTING VAN DRIJFAS WAARBIJ DE KOPPELEMENTEN / PENNEN VERWILDERD ZIJN. VERZUM KAN ERNSTIGE SCHADE TOT GEVOLG HEBBEN.

J218/268	
ENSURE UNIT ON A FIRM FOUNDATION AND THAT COUPLING FACES ARE IN CORRECT ALIGNMENT PRIOR TO AND AFTER BOLTING BASEPLATE DOWN AND FIXING PIPEWORK. SEE MANUAL FOR TOLERANCES. S'ASSURER QUE LE GROUPE ELECTROPOMPE EST FERME ET INSTALLE SUR SON MASSIF. VERIFIER LE LIGNAGE DE L'ACCOUPEMENT AVANT ET APRES FIXATION DU SOCLE ET DE LA TUYAUTERIE. VOIR LES TOLERANCES D'ALIGNMENT SUR LA NOTICE	PUMP MUSS AUF FESTEM FUNDAMENT STEHEN. KUPPLUNGSHÄLFTEN KORREKT AXIAL AUSRICHTEN, DANN PUMPE AUF GRUNDPLATTE FESTSPANNEN UND ANSCHLUSSLEITUNGEN BEFESTIGEN. TOLERANZEN S. BEDIEGUNGSANLEITUNG. ZORG DAT POMPEENHEID OP EEN STEVIGE ONDERGROND OPGESTELD STAAT EN DAT KOPPELING CORRECT UITGELIJNT IS ZOWEL VOOR-ALS NADAT DE GRONDPLAAT MET BOUTEN IS VASTGEZET EN DE LEIDINGEN GEINSTALLEERD ZIJN. ZIE HANDLEIDING VOOR TOELAABARE SPELINGEN.

#### Oil lubricated units only:

J218/JZ262	
WARNING ATTENTION ACHTUNG WAARSCHUWING	THIS MACHINE MUST BE FILLED WITH OIL BEFORE STARTING CETTE MACHINE DOIT ÊTRE REMPLIE D'HUILE AVANT LA MISE EN MARCHÉ DIESE MASCHINE IST VOR DEM STARTEN MIT ÖL ZÜ FÜLLEN DEZE MACHINE MOET VOOR HET STARTEN MET OLIE GEVULD WORDEN

## 1.8 Specific machine performance

For performance parameters see section 1.5, *Duty conditions*. Where performance data has been supplied separately to the purchaser these should be obtained and retained with these User Instructions if required.

## 1.9 Noise level

Attention must be given to the exposure of personnel to the noise, and local legislation will define when guidance to personnel on noise limitation is required, and when noise exposure reduction is mandatory. This is typically 80 to 85 dBA.

The usual approach is to control the exposure time to the noise or to enclose the machine to reduce emitted sound. You may have already specified a limiting noise level when the equipment was ordered, however if no noise requirements were defined, then attention is drawn to the following table to give an indication of equipment noise level so that you can take the appropriate action in your plant.

Pump noise level is dependent on a number of operational factors, flow rate, pipework design and acoustic characteristics of the building, and so the values given are subject to a 3 dBA tolerance and cannot be guaranteed.

Similarly the motor noise assumed in the “pump and motor” noise is that typically expected from standard and high efficiency motors when on load directly driving the pump. Note that a motor driven by an inverter may show an increased noise at some speeds.

If a pump unit only has been purchased for fitting with your own driver then the “pump only” noise levels in the table should be combined with the level for the driver obtained from the supplier. Consult Flowserve or a noise specialist if assistance is required in combining the values.



For units driven by equipment other than electric motors or units contained within enclosures, see the accompanying information sheets and manuals.

It is recommended that where exposure approaches the prescribed limit, then site noise measurements should be made.

The values are in sound pressure level  $L_{pA}$  at 1 m (3.3 ft) from the machine, for “free field conditions over a reflecting plane”.

For estimating sound power level  $L_{WA}$  (re 1 pW) then add 14 dBA to the sound pressure value.

Motor size and speed kW (hp)	Typical sound pressure level $L_{pA}$ at 1 m reference 20 $\mu$ Pa, dBA							
	3 550 r/min		2 900 r/min		1 750 r/min		1 450 r/min	
	Pump only	Pump and motor	Pump only	Pump and motor	Pump only	Pump and motor	Pump only	Pump and motor
<0.55(<0.75)	72	72	64	65	62	64	62	64
0.75 (1)	72	72	64	66	62	64	62	64
1.1 (1.5)	74	74	66	67	64	64	62	63
1.5 (2)	74	74	66	71	64	64	62	63
2.2 (3)	75	76	68	72	65	66	63	64
3 (4)	75	76	70	73	65	66	63	64
4 (5)	75	76	71	73	65	66	63	64
5.5 (7.5)	76	77	72	75	66	67	64	65
7.5 (10)	76	77	72	75	66	67	64	65
11(15)	80	81	76	78	70	71	68	69
15 (20)	80	81	76	78	70	71	68	69
18.5 (25)	81	81	77	78	71	71	69	71
22 (30)	81	81	77	79	71	71	69	71
30 (40)	83	83	79	81	73	73	71	73
37 (50)	83	83	79	81	73	73	71	73
45 (60)	86	86	82	84	76	76	74	76
55 (75)	86	86	82	84	76	76	74	76
75 (100)	87	87	83	85	77	77	75	77

**Note:** for 1 180 and 960 r/min reduce 1 450 r/min values by 2 dBA. For 880 and 720 r/min reduce 1 450 r/min values by 3 dBA.

## 2 TRANSPORT AND STORAGE

### 2.1 Consignment receipt and unpacking

Immediately after receipt of the equipment it must be checked against the delivery/shipping documents for its completeness and that there has been no damage in transportation. Any shortage and/or damage must be reported immediately to Flowserve Pump Division and must be received in writing within one month of receipt of the equipment. Later claims cannot be accepted.


Check any crate, boxes or wrappings for any accessories or spare parts that may be packed separately with the equipment or attached to side walls of the box or equipment.

Each product has a unique serial number. Check that this number corresponds with that advised and always quote this number in correspondence as well as when ordering spare parts or further accessories.

### 2.2 Handling

Boxes, crates, pallets or cartons may be unloaded using fork lift vehicles or slings dependent on their size and construction.

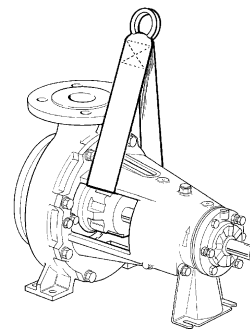
### 2.3 Lifting

 A crane must be used for all pump sets in excess of 25 kg (55 lb). Fully trained personnel must carry out lifting, in accordance with local regulations.

Slings, ropes and other lifting gear should be positioned where they cannot slip and where a balanced lift is obtained. The angle between two load carrying slings or ropes must not exceed 60°

#### 2.3.1 Bare pump

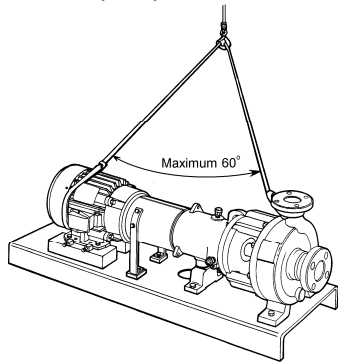
The bare pump should be lifted as shown:



### 2.3.2 Pump and folded steel, or polycrystalline baseplate set

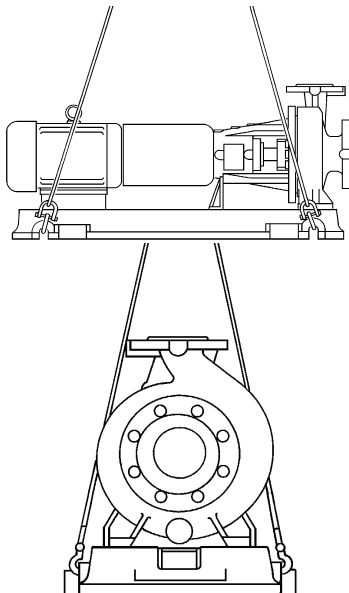
Where the baseplate is folded steel or polycrystalline there are no specific lifting points provided for the complete machine set. Any lifting points that can be seen are provided only for dismantling parts for servicing.

The pump and folded steel, or polycrystalline, baseplate set should be lifted as shown. With a sling around the pump discharge nozzle, and around the outboard end of the motor frame using choker hitches pulled tight. The sling should be positioned so the weight is not carried through the motor fan housing. Make sure the completion of the choker hitch on the discharge nozzle is toward the coupling end of the pump.



### 2.3.3 Pump and cast iron, or fabricated, baseplate set

The pump and cast iron, or fabricated, baseplate set which has specific lifting points, should be lifted as shown:



Before lifting the driver alone, refer to the manufacturer's instructions.

### 2.4 Storage



Store the pump in a clean, dry location away from vibration. Leave piping connection covers in place to keep dirt and other foreign material out of pump casing. Turn pump at intervals to prevent brinelling of the bearings and the seal faces, if fitted, from sticking.

The pump may be stored as above for up to 6 months. Consult Flowserve for preservative actions when a longer storage period is needed.

### 2.5 Recycling and end of product life

At the end of the service life of the product or its parts, the relevant materials and parts should be recycled or disposed of using an environmentally acceptable method and local requirements. If the product contains substances that are harmful to the environment, these should be removed and disposed of in accordance with current regulations. This also includes the liquids and/or gases that may be used in the "seal system" or other utilities.



Make sure that hazardous substances are disposed of safely and that the correct personal protective equipment is used. The safety specifications must be in accordance with the current regulations at all times.

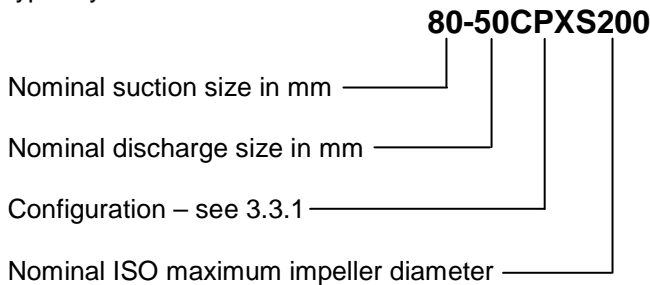
### 3 DESCRIPTION

#### 3.1 Configurations

The pump is a modular designed centrifugal pump that can be built to achieve almost all chemical liquid pumping requirements. For ultimate safety the pump has been fitted with a magnetic drive. (See 3.2 and 3.3 below.)

#### 3.2 Name nomenclature

The pump size will be engraved on the nameplate typically as below:



The typical nomenclature above is the general guide to the CPXS configuration description. Identify the actual pump size and serial number from the pump nameplate. Check that this agrees with the applicable certification provided.

#### 3.3 Design of major parts

##### 3.3.1 Pump casing

The pump casing [1100] is designed with a horizontal centreline end inlet and a vertical centreline top outlet which makes it self venting.

For ease of maintenance, the pump is constructed so that pipe connectors do not have to be disturbed when internal maintenance is required.

On the CPXS and CPXPS the casing feet pads are underneath the casing. On the CPXNS they are on the shaft centreline.

In addition, the CPXPS pump casing [1100] is designed with a self priming action which works on the reflux principle for suction lifts up to 7 m (23 ft).

##### 3.3.2 Impeller

An open impeller is fitted.

##### 3.3.3 Shaft

The large diameter stiff shaft, mounted on bearings, has a keyed drive end. The pump shaft is fitted with a magnetic rotor and product lubricated bearings.

##### 3.3.4 Bearing housing

For oil lubricated bearings, a sight glass enables the oil level to be viewed. Additional lubrication and cooling options may be fitted.

##### 3.3.5 Pump bearings and lubrication

The ball bearings fitted in the bearing housing may be oil or grease lubricated. The magnetic drive journal bearings may be lubricated by product or from an external source.

##### 3.3.6 Shaft seal

The magnetic drive design utilizes the shell between the magnets to prevent leakage of the pumped fluid.

##### 3.3.7 Driver

The driver is normally an electric motor. Different drive configurations may be fitted such as internal combustion engines, turbines, hydraulic motors etc driving via couplings, belts, gearboxes, drive shafts etc.

##### 3.3.8 Accessories

Accessories may be fitted when specified by the customer.

#### 3.4 Performance and operating limits

This product has been selected to meet the specifications of the purchase order. See section 1.5.

The following data is included as additional information to help with your installation. It is typical, and factors such as temperature and materials may influence this data. If required, a definitive statement for your particular application can be obtained from Flowserve.

##### 3.4.1 Temperature limits

The pump materials and construction have been selected for your application, however, the following fundamental limits should not be exceeded:

<i>Neodymium magnets</i>	-40 to +120 °C (-40 to +248 °F)
<i>Samarium cobalt magnets</i>	-40 to +250 °C (-40 to +482 °F)
<i>PEEK shell (depending on pressure)</i>	-40 to +120 °C (-40 to +248 °F)

##### 3.4.2 Ambient temperature

These pumps are generally fitted with TEFC motors with an ambient temperature limit of +40 °C (104 °F).

Specific pumps may be fitted with motors to suit client's requirements with other ambient temperature limits - see motor nameplate for details.

### 3.4.3 Operating limits

Maximum pump speed: refer to the nameplate.

## 4 INSTALLATION



Equipment operated in hazardous locations must comply with the relevant explosion protection regulations. See section 1.6.4, *Products used in potentially explosive atmospheres*.

### 4.1 Location

The pump should be located to allow room for access, ventilation, maintenance and inspection with ample headroom for lifting and should be as close as practicable to the supply of liquid to be pumped. Refer to the general arrangement drawing for the pump set.

### 4.2 Part assemblies

On baseplated pump sets the coupling elements are supplied loose. It is the responsibility of the installer to ensure that the pump set is finally lined up as detailed in section 4.5.2, *Alignment methods*.

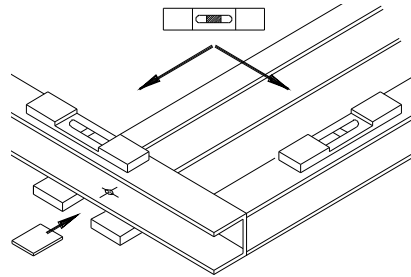
### 4.3 Foundation



There are many methods of installing pump units to their foundations. The correct method depends on the size of the pump unit, its location and noise and vibration limitations. Non-compliance with the provision of correct foundation and installation may lead to failure of the pump and, as such, would be outside the terms of the warranty.

Ensure the following are met:

- The baseplate should be mounted onto a firm foundation, either an appropriate thickness of quality concrete or sturdy steel framework. (It should NOT be distorted or pulled down onto the surface of the foundation, but should be supported to maintain the original alignment.)
- Install the baseplate onto packing pieces evenly spaced and adjacent to foundation bolts.
- Level with shims between baseplate and packing pieces.



- The pump and driver have been aligned before dispatch however the alignment of pump and motor half coupling must be checked. If this is incorrect, it indicates that the baseplate has become twisted and should be corrected by re-shimming.
- If not supplied, guarding shall be fitted as necessary to meet the requirements of ISO 12100 and EN953.

### 4.4 Grouting

Where applicable, grout in the foundation bolts.

After adding pipework connections and rechecking the coupling alignment, the baseplate should then be grouted in accordance with good engineering practice. Fabricated steel, folded steel and cast iron baseplates can be filled with grout. Polycrystalline baseplates can not be grouted, see their User Instructions 71569284 (E) for installation and use. If in any doubt, please contact your nearest service centre for advice.

Grouting provides solid contact between the pump unit and foundation, prevents lateral movement of vibrating equipment and dampens resonant vibrations.

Foundation bolts should only be fully tightened when the grout has cured.

### 4.5 Initial alignment

#### 4.5.1 Thermal expansion



The pump and motor will normally have to be aligned at ambient temperature with an allowance for thermal expansion at operating temperature. In pump installations involving high liquid temperatures, the unit should be run at the actual operating temperature, shut down and the alignment checked immediately.

#### 4.5.2 Alignment methods

**⚠ DANGER** Pump and driver must be isolated electrically and the half couplings disconnected.

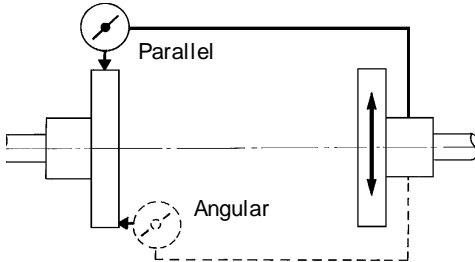
**⚠ CAUTION** The alignment MUST be checked.

Although the pump will have been aligned at the factory it is most likely that this alignment will have been disturbed during transportation or handling. If necessary, align the motor to the pump, not the pump to the motor.

Alignment is achieved by adding or removing shims under the motor feet and also moving the motor horizontally as required.

In some cases where the alignment cannot be achieved it will be necessary to move the pump before recommencing the above procedure.

For couplings with narrow flanges use a dial indicator as shown. The alignment values are maximums for continuous service.



Permissible misalignment limits at working temperature:

- **Parallel alignment**
  - 0.25 mm (0.010 in.) TIR maximum
- **Angular alignment**
  - 0.3 mm (0.012 in.) TIR maximum for couplings not exceeding 100 mm (4 in.) flange diameter
  - 0.5 mm (0.020 in.) TIR maximum for couplings over 100 mm (4 in.) diameter

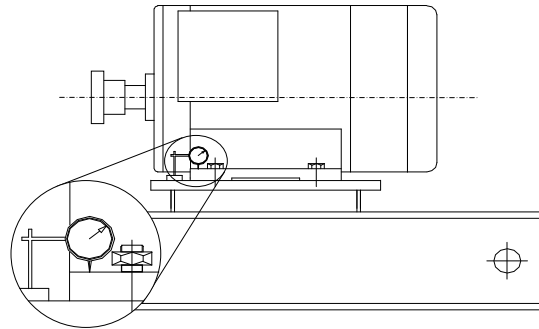
When checking parallel alignment, the total indicator read-out (TIR) shown is twice the value of the actual shaft displacement.

When the electric motor has sleeve bearings it is necessary to ensure that the motor is aligned to run on its magnetic centreline. Refer to the motor manual for details. A button (screwed into one of the shaft ends) is normally fitted between the motor and pump shaft ends to fix the axial position.

Align in the vertical plane first, then horizontally by moving motor. Maximum pump reliability is obtained

by near perfect alignment of 0.05 - 0.075 mm (0.002 - 0.003 in.) parallel and 0.05 mm (0.002 in.) per 100 mm (4 in.) of coupling flange diameter as angular misalignment.

#### 4.5.3 Check for soft foot



This is a check to ensure that there is no undue stress on the driver holding down bolts; due to non-level baseplate or twisting. To check, remove all shims and clean surfaces and tighten down driver to the baseplate. Set a dial indicator as shown in sketch and loosen off the holding down bolt while noting any deflection reading on the dial test Indicator - a maximum of 0.05 mm (0.002 in.) is considered acceptable but any more will have to be corrected by adding shims. For example, if the dial test indicator shows the foot lifting 0.15 mm (0.006 in.) then this is the thickness of shim to be placed under that foot. Tighten down and repeat the same procedure on all other feet until all are within tolerance.

**⚠** Complete piping as below and see sections 4.7, *Final shaft alignment check* up to and including section 5, *Commissioning, startup, operation and shutdown*, before connecting driver and checking actual rotation.

### 4.6 Piping

**⚠ CAUTION** Protective covers are fitted to the pipe connections to prevent foreign bodies entering during transportation and installation. Ensure that these covers are removed from the pump before connecting any pipes.

#### 4.6.1 Suction and discharge pipework

**⚠ CAUTION** Never use pump as a support for piping.

Maximum forces and moments allowed on the pump flanges vary with the pump size and type. To minimize these forces and moments that may, if

excessive, cause misalignment, hot bearings, worn couplings, vibration and the possible failure of the pump casing, the following points should be strictly followed:

- Prevent excessive external pipe load
- Never draw piping into place by applying force to pump flange connections
- Do not mount expansion joints so that their force, due to internal pressure, acts on the pump flange



Ensure piping and fittings are flushed before use.



Ensure piping for hazardous liquids is arranged to allow pump flushing before removal of the pump.

#### 4.6.1.1 CPXS and CPXNS only

Take the suction lift into account in the available NPSH which must be higher than the required NPSH of the pump.

In order to minimize friction losses and hydraulic noise in the pipework it is good practice to choose pipework that is one or two sizes larger than the pump suction and discharge. Typically main pipework velocities should not exceed 2 m/s (6 ft/sec) suction and 3 m/s (9 ft/sec) on the discharge.

#### 4.6.1.2 CPXPS self primer only

The delivery pipework must permit priming air to escape unhindered from the pump during the priming cycle, without back pressure and prevent excessive run-back of liquid on shutdown to minimise syphoning.

Priming air may be vented in one of the following ways:

1. The discharge pipework regulating valve, if fitted, may be partly opened during the priming cycle to freely vent the air.
2. An automatic air release valve may be fitted to the discharge pipework, between the pump and any valves, providing that gases and vapours given off are environmentally safe and acceptable for release into the atmosphere.
3. An air bleed pipe may be run from the discharge pipework, between the pump and any valves, back to the suction tank or sump. This arrangement has a disadvantage in that manual/automatic control will be necessary during operation to prevent continuous re-circulation of the pumped liquid.

## 4.6.2 Suction piping

### 4.6.2.1 CPXS and CPXNS suction piping

- a) The inlet pipe should be one or two sizes larger than the pump inlet bore and pipe bends should be as large a radius as possible.
- b) On suction lift the piping should be inclined up towards the pump inlet with eccentric reducers incorporated to prevent air locks.
- c) On positive suction, the inlet piping must have a constant fall towards the pump.
- d) The pipe next to the pump should be the same diameter as the pump suction and have a minimum of two pipe diameters of straight section between the elbow and the pump inlet flange. Where the NPSH margin is not large, it is recommended that the pipe straight is 5 to 10 pipe diameter. (See section 10.3, Reference 1.) Inlet strainers, when used, should have a net 'free area' of at least three times the inlet pipe area.
- e) Fitting isolation and non-return valves will allow easier maintenance.
- f) Never throttle pump on suction side and never place a valve directly on the pump inlet nozzle.
- g) The pump is fitted with silicon carbide bearings therefore small non-abrasive solids less than 0.3 mm (0.012 in.) in diameter can be handled providing they constitute no more than 2.5% by volume of liquid handled.
- h) Solids must be non-magnetic, must not have a tendency to coagulate and must not be fibrous. They should also be non-abrasive and must not scale wetted surfaces. For services other than above you are recommended to contact Flowserve for advice.

### 4.6.2.2 CPXPS suction piping

- a) The inlet pipe should be as short as possible, airtight and the smallest volume as practical for the pump flow rate so as to be able to prime in quickly. Where inlet pipe volume is large an inlet ball-foot valve or flap valve will be required.
- b) It is recommended that the pump inlet pipe is no larger than the pump inlet bore or such that the suction velocity is in the range of 3 to 5 m/sec (10 to 16 ft/sec). The piping should slope down towards the pump casing suction flange.
- c) Take the suction lift into account in the available NPSH, which must be higher than the required NPSH of the pump.
- d) Allow a minimum of two pipe diameters of straight section between the elbow and inlet flange.
- e) Fitting an isolation valve will allow easier maintenance.

- f) Never throttle pump on suction side and never place a valve directly on the pump inlet nozzle.
- g) The pump is fitted with silicon carbide bearings therefore small non-abrasive solids less than 0.3 mm (0.012 in.) in diameter can be handled providing they constitute no more than 2.5% by volume of liquid handled.
- h) Solids must be non-magnetic, must not have a tendency to coagulate and must not be fibrous. They should also be non-abrasive and must not scale wetted surfaces. For services other than above you are recommended to contact Flowserve for advice.

**4.6.3 Discharge piping**

**4.6.3.1 CPXS and CPXNS discharge piping**

A non-return valve should be located in the discharge pipework to protect the pump from excessive back pressure and hence reverse rotation when the unit is stopped.

Fitting an isolation valve will allow easier maintenance.

**4.6.3.2 CPXPS discharge piping**

- a) In order to minimize friction losses and hydraulic noise in the pipework it is good practice to choose pipework that is one or two sizes larger than the pump discharge. Typically main pipework velocities should not exceed 3 m/s (9 ft/sec) on the discharge. Pipework expanders should have a maximum angle of divergence of 9 degrees.
- b) If a non-return valve is located in the discharge pipework then a vent/bleed pipe should be fitted from the discharge pipe back to the sump or source tank.
- c) A regulating valve should be fitted in the discharge pipework unless pump flow is controlled by the delivery system design.

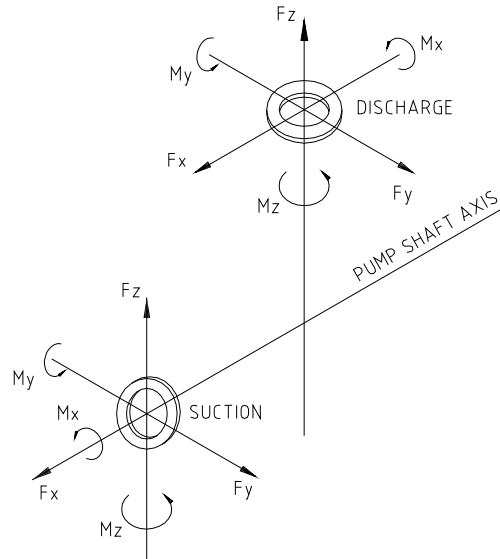
**4.6.4 Allowable Nozzle loads**

The pump complies with ISO 5199 shaft deflection limits for the following flange loads. The values are presented in the ISO 5199/ISO 13709 (API 610) format. Please note that the values permitted may be higher or lower than those in ISO 5199; see those specified for the actual pump size.

The values permitted for the pump with nozzle (50mm and above) meet ISO 13709 (API610) Table 4 values with grouted metallic baseplates. Individual forces and moments up to twice ISO 13709 (API610) Table 4 values may be permitted

but only when applied in accordance with the conditions in ISO 13709 (API610) Annex F.

Values are presented in compliance with the ISO 1503 sign convention.



All individual values which are greater than the following values must be referred to Flowserve for approval.

The values in the table on next page must be multiplied by the following factors.

Casing Material	Liquid Temperature °C (°F)		
	-20 to 100 (-4 to 212)	101 to 200 (213 to 392)	201 to 250 (393 to 482)
Nickel	0.5	0.475	0.45
Austenitic DCI, Alloy 20, Titanium & Titanium Pd	0.8	0.76	0.72
All other CPX materials	1	0.95	0.9



4.6.4.1 Allowable nozzle loads

Forces are in N (lbf)							Moments are in Nm (lbf-ft)									
MAXIMUM FORCES AND MOMENTS ACTING SIMULTANEOUSLY																
SIZE	Suction						Discharge						Suction		Discharge	
	Mx	My	Mz	Fx	Fy	Fz	Mx	My	Mz	Fx	Fy	Fz	Σ M	Σ F	Σ M	Σ F
40-25CPXS125	840 (620)	450 (330)	640 (470)	1800 (400)	1500 (340)	1200 (270)	190 (140)	180 (130)	190 (140)	460 (100)	370 (80)	580 (130)	1140 (840)	2630 (590)	320 (240)	820 (180)
50-32CPXS125	930 (690)	470 (350)	700 (520)	1780 (400)	1430 (320)	1160 (260)	340 (250)	170 (130)	260 (190)	520 (120)	430 (100)	660 (150)	1250 (920)	2560 (580)	460 (340)	940 (210)
65-40CPXS125	1640 (1210)	820 (600)	1230 (910)	2300 (520)	1840 (410)	1500 (340)	560 (410)	280 (210)	420 (310)	860 (190)	700 (160)	1070 (240)	2200 (1620)	3300 (740)	750 (550)	1540 (350)
80-50CPXS125	1910 (1410)	960 (710)	1430 (1050)	2680 (600)	2140 (480)	1740 (390)	620 (460)	310 (230)	460 (340)	940 (210)	770 (170)	1150 (260)	2570 (1900)	3840 (860)	830 (610)	1670 (380)
32-20CPXS160	470 (350)	240 (180)	350 (260)	890 (200)	710 (160)	580 (130)	150 (110)	80 (60)	120 (90)	240 (50)	210 (50)	310 (70)	630 (460)	1270 (290)	200 (150)	440 (100)
40-25CPXS160	840 (620)	450 (330)	640 (470)	1800 (400)	1500 (340)	1200 (270)	190 (140)	180 (130)	190 (140)	460 (100)	370 (80)	580 (130)	1140 (840)	2630 (590)	320 (240)	820 (180)
50-32CPXS160	930 (690)	460 (340)	700 (520)	1800 (400)	1500 (340)	1200 (270)	290 (210)	210 (150)	220 (160)	500 (110)	400 (90)	590 (130)	1250 (920)	2630 (590)	420 (310)	870 (200)
65-40CPXS160	1640 (1210)	820 (600)	1230 (910)	2300 (520)	1840 (410)	1500 (340)	560 (410)	280 (210)	420 (310)	860 (190)	700 (160)	1070 (240)	2200 (1620)	3300 (740)	750 (550)	1540 (350)
80-50CPXS160	1910 (1410)	960 (710)	1430 (1050)	2680 (600)	2140 (480)	1740 (390)	620 (460)	310 (230)	460 (340)	940 (210)	770 (170)	1150 (260)	2570 (1900)	3840 (860)	830 (610)	1670 (380)
32-20CPXS200	470 (350)	340 (250)	350 (260)	890 (200)	710 (160)	580 (130)	150 (110)	80 (60)	120 (90)	240 (50)	210 (50)	310 (70)	670 (490)	1270 (290)	200 (150)	440 (100)
40-25CPXS200	840 (620)	450 (330)	640 (470)	1800 (400)	1500 (340)	1200 (270)	190 (140)	180 (130)	190 (140)	460 (100)	370 (80)	580 (130)	1140 (840)	2630 (590)	320 (240)	820 (180)
50-32CPXS200	930 (690)	470 (350)	700 (520)	1800 (400)	1500 (340)	1200 (270)	290 (210)	210 (150)	220 (160)	500 (110)	400 (90)	590 (130)	1250 (920)	2630 (590)	420 (310)	870 (200)
65-40CPXS200	1790 (1320)	860 (630)	1220 (900)	2680 (600)	2140 (480)	1740 (390)	460 (340)	230 (170)	350 (260)	710 (160)	570 (130)	880 (200)	2330 (1720)	3840 (860)	620 (460)	1260 (280)
80-50CPXS200	1910 (1410)	960 (710)	1430 (1050)	2680 (600)	2140 (480)	1740 (390)	620 (460)	310 (230)	460 (340)	940 (210)	770 (170)	1150 (260)	2570 (1900)	3840 (860)	830 (610)	1670 (380)
100-65CPXS200	2670 (1970)	1340 (990)	2000 (1480)	3570 (800)	2850 (640)	2320 (520)	1210 (890)	600 (440)	900 (660)	1350 (300)	1100 (250)	1690 (380)	3590 (2650)	5120 (1150)	1620 (1190)	2420 (540)
125-100CPXS200	4710 (3470)	1560 (1150)	3540 (2610)	4140 (930)	5020 (1130)	2690 (600)	2670 (1970)	880 (650)	2000 (1480)	1880 (420)	2320 (520)	3570 (800)	6090 (4490)	7040 (1580)	3450 (2540)	4650 (1050)
40-25CPXS250	840 (620)	450 (330)	640 (470)	1800 (400)	1500 (340)	1200 (270)	190 (140)	180 (130)	190 (140)	450 (100)	370 (80)	540 (120)	1140 (840)	2630 (590)	320 (240)	790 (180)
50-32CPXS250	930 (690)	460 (340)	700 (520)	1800 (400)	1500 (340)	1200 (270)	290 (210)	210 (150)	220 (160)	500 (110)	370 (80)	590 (130)	1250 (920)	2630 (590)	420 (310)	850 (190)
65-40CPXS250	1780 (1310)	860 (630)	1220 (900)	2680 (600)	2140 (480)	1740 (390)	500 (370)	260 (190)	370 (270)	750 (170)	610 (140)	940 (210)	2320 (1710)	3840 (860)	670 (490)	1340 (300)
80-50CPXS250	1910 (1410)	960 (710)	1430 (1050)	2680 (600)	2140 (480)	1740 (390)	720 (530)	360 (270)	540 (400)	1100 (250)	890 (200)	1370 (310)	2570 (1900)	3840 (860)	960 (710)	1960 (440)
100-65CPXS250	2670 (1970)	1340 (990)	2000 (1480)	3570 (800)	2850 (640)	2320 (520)	1150 (850)	570 (420)	860 (630)	1290 (290)	1040 (230)	1610 (360)	3590 (2650)	5120 (1150)	1540 (1140)	2310 (520)

4.6.5 Auxiliary piping



The connections that are to be piped up will have been fitted with protective metal or plastic plugs which will need to be removed.

4.6.6 Final checks

Check the tightness of all bolts in the suction and discharge pipework. Check also the tightness of all foundation bolts.

#### 4.7 Electrical connections



**DANGER** Electrical connections must be made by a qualified Electrician in accordance with relevant local national and international regulations.



It is important to be aware of the EUROPEAN DIRECTIVE on potentially explosive areas where compliance with IEC60079-14 is an additional requirement for making electrical connections.



It is important to be aware of the EUROPEAN DIRECTIVE on electromagnetic compatibility when wiring up and installing equipment on site. Attention must be paid to ensure that the techniques used during wiring/installation do not increase electromagnetic emissions or decrease the electromagnetic immunity of the equipment, wiring or any connected devices. If in any doubt contact Flowserve for advice.



**DANGER** The motor must be wired up in accordance with the motor manufacturer's instructions (normally supplied within the terminal box) including any temperature, earth leakage, current and other protective devices as appropriate. The identification nameplate should be checked to ensure the power supply is appropriate.



A device to provide emergency stopping must be fitted.

If not supplied pre-wired to the pump unit, the controller/starter electrical details will also be supplied within the controller/starter.

For electrical details on pump sets with controllers see the separate wiring diagram.



**CAUTION** See section 5.4, *Direction of rotation* before connecting the motor to the electrical supply.

#### 4.8 Final shaft alignment check

After connecting piping to the pump, rotate the shaft several times by hand to ensure there is no binding and all parts are free. Recheck the coupling alignment, as previously described, to ensure no pipe strain. If pipe strain exists, correct piping.

#### 4.9 Protection systems



The following protection systems are recommended particularly if the pump is installed in a potentially explosive area or is handling a

hazardous liquid. If in any doubt consult Flowserve.

If there is any possibility of the system allowing the pump to run against a closed valve or below minimum continuous safe flow install a protection device to ensure the temperature of the liquid does not rise to an unsafe level.

If there are any circumstances in which the system can allow the pump to run dry, or start up empty, fit a power monitor to stop the pump or prevent it from being started. This is particularly relevant if the pump is handling a flammable liquid.

If leakage of product from the pump or system can cause a hazard an appropriate leakage detection system shall be installed.

To prevent excessive surface temperatures at bearings it is recommended that temperature or vibration monitoring is carried out



Magnetic drive pumps are inherently safe and are ideal for toxic, corrosive and highly volatile liquids. However if abused and allowed to run dry, for example, the consequences can be expensive to repair. A few minutes dry running will cause severe damage to the magnetic drive.

The main potential risks of failure are:

Dry running due to blocking of lubrication ports with solids in pumped liquid.

1. Dry running due to loss of liquid to pump suction.
2. Dry running due to impeller seizing, caused by debris in the pump casing.

Dry running due to solidification of liquid in the shell, eg due to poor control of temperature.

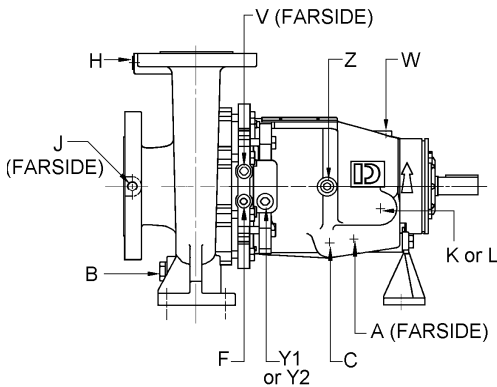


If any of these conditions occur, the system must be switched off within one minute and the most universal way of achieving this, for all the above conditions, is by using a power or current monitor fitted into the starter.

One other potential problem that can be monitored when pumping hazardous fluids is leakage from the shell.

In this instance the drive should be fitted with dual containment and monitoring of the space between the two shells can be carried out using a pressure switch connected to either motor starter or alarm.

If required, temperature of the liquid in the drive and the metal shell (when single containment) can also be monitored from the tapping points shown.



As each system has its unique requirements it is recommended that Flowserve is consulted when advice is required.

Auxiliary connection (Rp)	
A G ¼	Bearing housing drain (plugged when provided)
B G ½	Casing drain (plugged when provided)
C Rp ¾	Leakage (plugged when provided)
F Rp ¾	External flush connection (plugged when provided)
H Rp ¼	Discharge gauge connection (plugged when provided)
J Rp ¼	Suction gauge connection (plugged when provided)
K G ½	Sight glass (when fitted)
L Rp ¼	Constant level oiler (when fitted)
V Rp ¾	Fluid temperature connection (plugged when provided)
W Rp ¾	Bearing housing vent (when provided)
Y1 Rp ½	Shell temperature connection (plugged as standard)
Y2 Rp ¼	Dual containment pressure connection (plugged when provided)
Z Rp ½	Assembly access (plugged as standard)

## 5 COMMISSIONING, START-UP, OPERATION AND SHUTDOWN

**CAUTION** These operations must be carried out by fully qualified personnel.

### 5.1 Pre-commissioning procedure

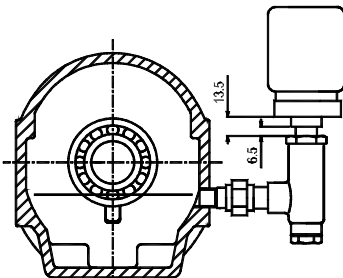
#### 5.1.1 Lubrication

Determine the mode of lubrication of the pump set, eg grease, oil, product lubrication etc.

**CAUTION** For oil lubricated pumps, fill the bearing housing with correct grade of oil to the correct level, ie oil sight guage [3856] or constant level oiler bottle [3855].



Where an adjustable body Denco oiler is fitted this should be set to the height shown in the following diagram:



When fitted with a constant level oiler, the bearing housing should be filled by unscrewing or hinging back the transparent bottle and filling it with oil.

The oil filled bottle should then be refitted so as to return it to the upright position. Filling should be repeated until oil remains visible within the bottle.

**CAUTION** Oil lubricated units are supplied without oil and must be filled to the marked level before starting the pump.

To fill the bearing housing with oil, unscrew the oil filler/breather and fill through the orifice. Approximate oil volumes are shown in section 5.2.2, *Bearing sizes and capacities*.

Grease lubricated pumps and electric motors are supplied pre-greased. Other drivers and gearboxes, if appropriate, should be lubricated in accordance with their manuals.

Where the ambient is very low special lubricants are required. Refer to Flowserve when outside the lubricant temperature range -5 to 82 °C (23 to 179 °F). Where oil lubrication is utilized and the ambient is less than -5 °C (23 °F) ensure the oil pour point is at least 15 °C (27 °F) lower than the ambient or use oil class SAE 5W-50 or API-SJ and ensure the upper operating range of the oil is then not exceeded. ISO VG 46 oil is generally selected for an initial lubrication schedule.

## 5.2 Pump lubricants

### 5.2.1 Recommended oil lubricants

Centrifugal pump lubrication	Oil	Splash / force feed lubrication		
	Viscosity cSt @ 40 °C	32	46	68
Oil temperature range *	-5 to 65 °C (23 to 149 °F)	<b>-5 to 78 °C</b> <b>(23 to 172 °F)</b>	-5 to 80 °C (23 to 176 °F)	
Designation to ISO 3448 and DIN51524 part 2	ISO VG 32 32 HLP	<b>ISO VG 46</b> <b>46 HLP</b>	ISO VG 68 68 HLP	
Oil companies and lubricants	<b>BP Castrol</b>	Energol HLP-HM 32	<b>Energol HLP-HM 46</b>	Energol HLP-HM 68
	<b>ESSO</b>	NUTO HP 32	<b>NUTO HP 46</b>	NUTO HP 68
	<b>ELF/Total</b>	ELFOLNA DS 32 Azolla ZS 32	<b>ELFOLNA DS 46</b> <b>Azolla ZS 46</b>	ELFOLNA DS 68 Azolla ZS 68
	<b>LSC (for oil mist)**</b>	LSO 32 (Synthetic oil)	<b>LSO 46 (Synthetic oil)</b>	LSO 68 (Synthetic oil)
	<b>ExxonMobil</b>	Mobil DTE 24	<b>Mobil DTE 25</b>	Mobil DTE 26
	<b>Q8</b>	Q8 Haydn 32	<b>Q8 Haydn 46</b>	Q8 Haydn 68
	<b>Shell</b>	Shell Tellus 32	<b>Shell Tellus 46</b>	Shell Tellus 68
	<b>Chevron Texaco</b>	Rando HD 32	<b>Rando HD 46</b>	Rando HD 68
	<b>Wintershall (BASF Group)</b>	Wiolan HS32	<b>Wiolan HS46</b>	Wiolan HS68
<b>Fuchs</b>	Renolin CL 32	<b>Renolin CL 46</b>	Renolin CL 68	

\* Note that it normally takes 2 hours for bearing temperature to stabilize and the final temperature will depend on the ambient, r/min, pumpage temperature and pump size. Also some oils have a very low pour point and good viscosity index which extend the minimum temperature capability of the oil. Always check the grade capability where the ambient is less than -5 °C (23 °F).

### 5.2.2 Bearing sizes and capacities

Model	Oil lubricated bearings	Grease lubricated bearings	Oil capacity (approx) litres (fl. oz.)
80	6208C3	6208ZZ C3	0.235 (8.2)
100	6208C3	6208ZZ C3	0.235 (8.2)
150	6210C3	6210ZZ C3	0.430 (15.1)

Note: the bearing sizes do not constitute a purchasing specification.

Grease lubricated bearing housings are fitted with "sealed for life" bearings.

### 5.2.3 CAUTION Lubrication schedule

#### 5.2.3.1 Oil lubricated bearings

Normal oil change intervals are 4 000 operating hours or at least every 6 months. For pumps on hot service or in severely damp or corrosive atmosphere, the oil will require changing more frequently.

Lubricant and bearing temperature analysis can be useful in optimizing lubricant change intervals.

The lubricating oil should be a high quality mineral oil having foam inhibitors. Synthetic oils may also be used if checks show that the rubber oil seals will not be adversely affected.

The bearing temperature may be allowed to rise to 50 °C (90 °F) above ambient, but should not exceed 82 °C (180 °F) (API 610 limit). A continuously rising temperature, or an abrupt rise, indicates a fault.

Pumps which handle high temperature liquids may require their bearings to be cooled to prevent bearing temperatures exceeding their limits.

#### 5.2.3.2 Grease lubricated bearings

The bearings are sealed for life.

### 5.3 Open impeller clearance

The impeller clearance is set in the factory. This may require adjustment because of piping attachment or increase in temperatures. For setting instructions see section 6.7, *Setting impeller clearance*.

### 5.4 Direction of rotation

**CAUTION** Serious damage can result if the pump is started or run in the wrong direction of rotation.

The pump is shipped with the coupling element removed. Ensure the direction of rotation of the motor is correct before fitting the coupling element. Direction of rotation must correspond to the direction arrow.

**CAUTION** If maintenance work has been carried out to the site's electricity supply, the direction of rotation should be re-checked as above in case the supply phasing has been altered.

### 5.5 Guarding

**!** Guarding is supplied fitted to the pump set. In member countries of the EU and EFTA, it is a legal requirement that fasteners for guards must remain captive in the guard to comply with the Machinery Directive 2006/42/EC. When releasing such guards, the fasteners must be unscrewed in an appropriate way to ensure that the fasteners remain captive.

Whenever guarding is removed or disturbed ensure that all the protective guards are securely refitted prior to start-up.

## 5.6 Priming and auxiliary supplies

### 5.6.1 CPXS and CPXNS filling and priming

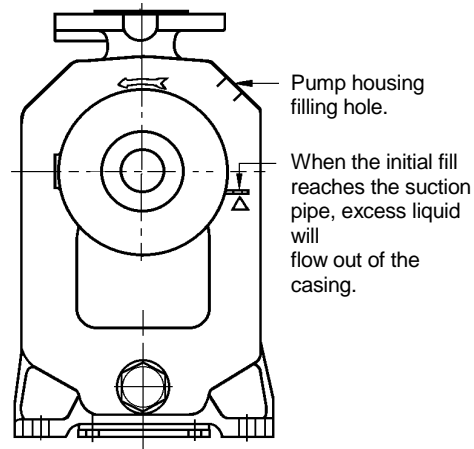
**CAUTION** Ensure inlet pipe and pump casing is completely full of liquid before starting continuous duty operation.

Priming may be carried out with an ejector, vacuum pump interceptor or other equipment, or by flooding from the inlet source.

When in service, pumps using inlet pipes with foot valves may be primed by passing liquid back from the outlet pipe through the pump.

### 5.6.2 CPXPS filling and self priming

**CAUTION** Fill the pump with liquid to be pumped, or compatible liquid, via the filling hole, before starting continuous duty operation.



Pump size	Initial fill litre (US gal.)
40-40CPXPS125	2.5 (0.65)
80-80CPXPS125	6.0 (1.60)
40-40CPXPS160	3.0 (0.80)
80-80CPXPS160	6.5 (1.75)
40-40CPXPS200	5.0 (1.30)
65-65CPXPS200	8.5 (2.25)
80-80CPXPS250	12.0 (3.20)

The pump has self-priming action for which a separate air pump is not normally required.

### 5.6.3 Auxiliary supplies

**CAUTION** Ensure all electrical, hydraulic, pneumatic, sealant and lubrication systems (as applicable) are connected and operational.

## 5.7 Starting the pump

### 5.7.1 Starting the CPXS and CPXNS

- CAUTION**
- Ensure flushing and/or cooling/heating liquid supplies are turned ON, before starting pump.
  - CLOSE the outlet valve.
  - OPEN all inlet valves.
  - Prime the pump.
  - Start motor and check the outlet pressure.
  - If the pressure is satisfactory, SLOWLY open the outlet valve.

- g) Do not run the pump with the outlet valve closed for a period longer than 30 seconds.
- h) If NO pressure, or LOW pressure, STOP the pump. Refer to section 7, *Faults; causes and remedies* for fault diagnosis.

**5.7.2 Starting the CPXPS pump**

- a) Ensure flushing and/or cooling/heating liquid supplies are turned ON, before starting pump.
- b) CLOSE the outlet valve.
- c) OPEN all inlet valves.
- d) Prime the pump. (See section 5.6.1.) The pump casing must initially be filled with compatible liquid before starting the unit.
- e) Damage will occur if the pump is run dry or for prolonged periods with no incoming liquid.
- f) Subsequent filling should not be necessary unless the pump has been emptied or drained of fluid.
- g) Start the motor and, if no specific provision has been made in the delivery pipework for evacuating the primed air, open the delivery valve by approximately 10% to allow priming air to escape.
- h) Check outlet pressure.
- i) If the pressure is satisfactory, SLOWLY open the outlet valve.
- j) It is recommended that the priming time is noted. Priming times in excess of 5 minutes will indicate a pump or system fault. Any noticeable increases in priming time on subsequent starts will also indicate a fault. Irregular use could lead to the risk of 'evaporation' of the priming fluid.
- k) Do not run the pump with the outlet valve closed for a period longer than 30 seconds.
- l) If the pump has to self prime the system it may take a short time before the outlet is pressurized.
- m) If NO pressure, or LOW pressure, STOP the pump. Refer to section 7, *Faults; causes and remedies* for fault diagnosis.

**5.8 Running the pump**

**5.8.1 Bearings**

If the pumps are working in a potentially explosive atmosphere temperature or vibration monitoring at the bearings is recommended.

If bearing temperatures are to be monitored it is essential that a benchmark temperature is recorded at the commissioning stage and after the bearing temperature has stabilized.

- Record the bearing temperature (t) and the ambient temperature (ta)
- Estimate the likely maximum ambient temperature (tb)
- Set the alarm at (t+tb-ta+5) °C (t+tb-ta+10) °F and the trip at 100 °C (212 °F) for oil lubrication and 105 °C (220 °F) for grease lubrication

It is important, particularly with grease lubrication, to keep a check on bearing temperatures. After start up the temperature rise should be gradual, reaching a maximum after approximately 1.5 to 2 hours. This temperature rise should then remain constant or marginally reduce with time. Refer to section 6.2.3.1 for further information.

**5.8.2 Normal vibration levels, alarm and trip**

For guidance, pumps generally fall under a classification for rigid support machines within the International rotating machinery standards and the recommended maximum levels below are based on those standards.

Alarm and trip values for installed pumps should be based on the actual measurements (N) taken on the pump in the fully commissioned as new condition. Measuring vibration at regular intervals will then show any deterioration in pump or system operating conditions.



Vibration velocity – unfiltered	Horizontal pumps ≤ 15 kW mm/sec (in./sec) r.m.s.	> 15 kW mm/sec (in./sec) r.m.s.
Normal N	≤ 3.0 (0.12)	≤ 4.5 (0.18)
Alarm N x 1.25	≤ 3.8 (0.15)	≤ 5.6 (0.22)
Shutdown trip N x 2.0	≤ 6.0 (0.24)	≤ 9.0 (0.35)

**5.8.3 Stop/start frequency**

Pump sets are normally suitable for a number of equally spaced stop/starts per hour. Generally six stop/starts per hour may be satisfactory. Refer frequent stop/starting to the motor manufacturer.

Check capability of the driver and control/starting system before commissioning. Where duty and standby pumps are installed it is recommended that they are run alternately every week.

## 5.9 Stopping and shutdown

- a)  Close the outlet valve, but ensure that the pump runs in this condition for no more than a few seconds.
- b) Stop the pump.
- c) Switch off flushing and/or cooling/heating liquid supplies at a time appropriate to the process.
- d)  For prolonged shut-downs and especially when ambient temperatures are likely to drop below freezing point, the pump and any cooling and flushing arrangements must be drained or otherwise protected.

## 5.10 Hydraulic, mechanical and electrical duty

This product has been supplied to meet the performance specifications of your purchase order, however it is understood that during the life of the product these may change. The following notes may help the user decide how to evaluate the implications of any change. If in doubt contact your nearest Flowserve office.

### 5.10.1 Specific gravity (SG)

Pump capacity and total head in metres (feet) do not change with SG, however pressure displayed on a pressure gauge is directly proportional to SG. Power absorbed is also directly proportional to SG. It is therefore important to check that any change in SG will not overload the pump driver or over-pressurize the pump.

### 5.10.2 Viscosity

For a given flow rate the total head reduces with increased viscosity and increases with reduced viscosity. Also for a given flow rate the power absorbed increases with increased viscosity, and reduces with reduced viscosity. It is important that checks are made with your nearest Flowserve office if changes in viscosity are planned.

### 5.10.3 Pump speed

Changing pump speed effects flow, total head, power absorbed,  $NPSH_R$ , noise and vibration. Flow varies in direct proportion to pump speed, head varies as speed ratio squared and power varies as speed ratio cubed. The new duty, however, will also be dependent on the system curve. If increasing the

speed, it is important therefore to ensure the maximum pump working pressure is not exceeded, the driver is not overloaded,  $NPSH_A > NPSH_R$ , and that noise and vibration are within local requirements and regulations.

### 5.10.4 Net positive suction head ( $NPSH_A$ )

$NPSH_A$  available ( $NPSH_A$ ) is a measure of the head available in the pumped liquid, above its vapour pressure, at the pump suction branch.

$NPSH_R$  required ( $NPSH_R$ ) is a measure of the head required in the pumped liquid, above its vapour pressure, to prevent the pump from cavitating. It is important that  $NPSH_A > NPSH_R$ . The margin between  $NPSH_A > NPSH_R$  should be as large as possible.


If any change in  $NPSH_A$  is proposed, ensure these margins are not significantly eroded. Refer to the pump performance curve to determine exact requirements particularly if flow has changed. If in doubt please consult your nearest Flowserve office for advice and details of the minimum allowable margin for your application.

### 5.10.5 Pumped flow

Flow must not fall outside the minimum and maximum continuous safe flow shown on the pump performance curve and or data sheet.

## 6 MAINTENANCE

### 6.1 General

 It is the plant operator's responsibility to ensure that all maintenance, inspection and assembly work is carried out by authorized and qualified personnel who have adequately familiarized themselves with the subject matter by studying this manual in detail. (See also section 1.6)

Any work on the machine must be performed when it is at a standstill. It is imperative that the procedure for shutting down the machine is followed, as described in section 5.9.

On completion of work all guards and safety devices must be re-installed and made operative again.

Before restarting the machine, the relevant instructions listed in section 5, *Commissioning, start up, operation and shut down* must be observed.

**Oil and grease leaks may make the ground slippery. Machine maintenance must always begin and finish by cleaning the ground and the exterior of the machine.**

If platforms, stairs and guard rails are required for maintenance, they must be placed for easy access to areas where maintenance and inspection are to be carried out. The positioning of these accessories must not limit access or hinder the lifting of the part to be serviced.

When air or compressed inert gas is used in the maintenance process, the operator and anyone in the vicinity must be careful and have the appropriate protection.

Do not spray air or compressed inert gas on skin.

Do not direct an air or gas jet towards other people.

Never use air or compressed inert gas to clean clothes.

Before working on the pump, take measures to prevent an uncontrolled start. Put a warning board on the starting device with the words: **"Machine under repair: do not start"**.

With electric drive equipment, lock the main switch open and withdraw any fuses. Put a warning board on the fuse box or main switch with the words: **"Machine under repair: do not connect"**.

Never clean equipment with inflammable solvents or carbon tetrachloride. Protect yourself against toxic fumes when using cleaning agents.

## 6.2 Maintenance schedule



It is recommended that a maintenance plan and schedule is adopted, in line with these User Instructions, to include the following:

- Any auxiliary systems installed must be monitored, if necessary, to ensure they function correctly.
- Check bearing lubricant level, and if the hours run show a lubricant change is required.
- Check that the duty condition is in the safe operating range for the pump.
- Check vibration, noise level and surface temperature at the bearings to confirm satisfactory operation.
- Check dirt and dust is removed from areas around close clearances, bearing housings and motors.

- Check coupling alignment and re-align if necessary.

Our specialist service personnel can help with preventative maintenance records and provide condition monitoring for temperature and vibration to identify the onset of potential problems.

If any problems are found the following sequence of actions should take place:

- Refer to section 7, *Faults; causes and remedies*, for fault diagnosis.
- Ensure equipment complies with the recommendations in this manual.
- Contact Flowserve if the problem persists.

### 6.2.1 Routine inspection (daily/weekly)

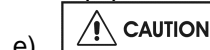


The following checks should be made and the appropriate action taken to remedy any deviations:

- Check operating behaviour. Ensure noise, vibration and bearing temperatures are normal.
- Check the level and condition of oil lubricant. On grease lubricated pumps, check running hours since last recharge of grease or complete grease change.
- When "sealed for life" bearings are fitted it is recommended that they are renewed every 12 000 hours running life or every 2 years, whichever is the sooner.
- Check any auxiliary supplies eg heating/cooling (if fitted) are functioning correctly.



Refer to the manuals of any associated equipment for routine checks needed.



- Pumps having ferrous wetted components may rust internally if stood for periods longer than say 2 weeks. In such cases it is recommended that the pump shaft be turned a few revolutions at least once a week to break any rust or algae that may have built up in the clearances between rotating parts. On units where the shaft is accessible it may be turned by hand. In other cases a flick of the starter is permissible after ensuring that the pump casing is full of liquid to prevent bearings etc running dry.

### 6.2.2 Periodic inspection (six monthly)



- Check foundation bolts for security of attachment and corrosion.
- Check pump running records for hourly usage to determine if bearing lubricant requires changing.



c) The coupling should be checked for correct alignment and worn driving elements.



Refer to the manuals of any associated equipment for periodic checks needed.

**6.2.3 Re-lubrication**

Lubricant and bearing temperature analysis can be useful in optimizing lubricant change intervals. In general however, the following is recommended.

**6.2.3.1 Oil lubricated bearings**

Normal oil change intervals are 4 000 operating hours or at least every six months. For pumps on hot service or in severely damp or corrosive atmosphere, the oil will require changing more frequently. Lubricant and bearing temperature analysis can be useful in optimizing lubricant change intervals. The lubricating oil should be a high quality oil having oxidation and foam inhibitors, or synthetic oil.

The bearing temperature may be allowed to rise to 50 °C (90 °F) above ambient, but should not exceed 82 °C (180 °F) (API 610 limit). A continuously rising temperature, or an abrupt rise, indicate a fault.

Pumps that handle high temperature liquids may require their bearings to be cooled to prevent bearing temperatures exceeding their limits.

**6.2.3.2 Grease lubricated bearings**

The bearings are sealed for life. It is recommended that they are renewed every 12 000 hours running life or every 2 years, whichever is the sooner.

**6.3 Spare parts**

**6.3.1 Ordering of spares**

Flowserve keeps records of all pumps that have been supplied. When ordering spares the following information should be quoted.

- 1) Pump serial number.
- 2) Pump size.
- 3) Part name – taken from section 8.
- 4) Part number – taken from section 8.
- 5) Number of parts required.

The pump size and serial number are shown on the pump nameplate.

To ensure continued satisfactory operation, replacement parts to the original design specification should be obtained from Flowserve. Any change to the original design specification

(modification or use of a non-standard part) will invalidate the pump's safety certification.

**6.3.2 Storage of spares**

Spares should be stored in a clean dry area away from vibration. Inspection and re-treatment of metallic surfaces (if necessary) with preservative is recommended at 6 monthly intervals.

**6.4 Recommended spares**

For two years operation (as per VDMA 24296).

Part no.	Designation	Number of pumps (including stand-by)						
		2	3	4	5	6/7	8/9	10(+)
2200	Impeller	1		2		3		30%
2100.1	Pump shaft	1		2		3		30%
3300.1	Bearing bush - front	1		2		3		30%
3300.2	Bearing bush - rear	1		2		3		30%
241.1	Tolerance ring	4		8		12		120%
3400	Sleeve (if fitted)	2		4		6		60%
3610	Thrust collar	2		4		6		60%
4590.5	Gasket - thrust collar	4		8		12		120%
2923	Drive pin - thrust collar	4		8		12		120%
3126	Shim pack	1		2		3		30%
220	Inner rotor	1		2		3		30%
230	Outer rotor	1		2		3		30%
224.1 or 224.2	Shell (see note 1)	1		2		3		30%
3011	Ball bearing	2		4		6		60%
4590.1	Casing gasket	4		8		9		100%
4590.2 & 4610	Shell O-ring set (see note 2)	2		3		4		60%
4590.3 and 4590.4	Remaining gasket set	1		2		3		30%
252	Skid ring (if fitted)	1		2		3		30%

**Note 1:** [224.1] PEEK (polymer). [224.2] metallic.

**Note 2:** [4590.2] gasket. [4610] secondary O-ring (if fitted).

**6.5 Tools required**

A typical range of tools that will be required to maintain these pumps is listed below.

*Readily available in standard tool kits, and dependent on pump size:*

- Open ended spanners (wrenches) to suit up to M 24 screws/nuts
- Socket spanners (wrenches), up to M 48 screws
- Allen keys, up to 10 mm (A/F)
- Range of screwdrivers
- Soft mallet

*More specialized equipment:*

- Bearing pullers
- Bearing induction heater
- Dial test indicator
- C-spanner (wrench) - for removing shaft nut. (If difficulties in sourcing are encountered, consult Flowserve.) *Order as follows:*  
Part no. N.919GZ172 for Model 80 units.  
Part no. N.919GZ173 for Model 100 and 150 units.

### 6.6 Fastener torques

Screw size	Torque Nm (lbf•ft)	
M 6	11 (8)	
M 8	16 (12)	
M 10	25 (18)	
M 12	35 (26)	
M 16	80 (59)	
M 20	130 (96)	
Inner rotor locknut [6580]	Model 80	70 (53)
	Model 100	100 (74)
	Model 150	150 (110)

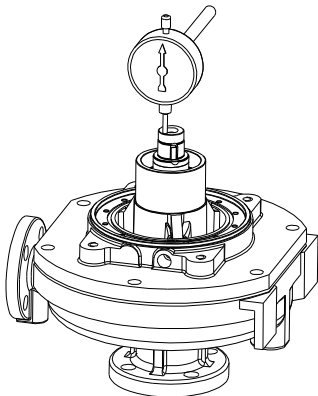
**CAUTION** Non-metallic gaskets incur creep relaxation - before commissioning the pump check and retighten fasteners to tightening torques stated.

**Note:** Torque up bolts crosswise on all bolting patterns, DO NOT torque in a circle

### 6.7 Setting impeller clearance

This procedure may be required after the pump has been dismantled or a different clearance is required.

- Position the pump casing [1100] with the suction flange facing down on the bench.
- Install the casing gasket [4590.1] followed by the inner rotor/casing cover assembly.
- Tighten the casing bolts [6570.2].
- Locate a dial indicator on top of the pump shaft [2100.1] to enable its vertical movement to be recorded.



- Loosen inner rotor locknut [6580] and record shaft drop when the impeller touches the pump casing. This is a measure of the current front clearance. Check 3 times at 120 degree intervals and record the smallest value.
- Record this reading on line 1 below. Subtract gasket compression factor - 0.15 mm (0.006 in.) and record on line 3 below:

Line	Detail	mm (in.)
1	Shaft drop	
2	Gasket compression factor	0.15 (0.006)
3	Line (1 - 2)	
4	Design front clearance	
5	Shim adjustment required (3 - 4)	

- Subtract the design front clearance from the total shaft drop recorded in line 3 to arrive at the shim adjustment.

IF POSITIVE - ADD SHIMS  
IF NEGATIVE - SUBTRACT SHIMS

*Design front clearances are:*

Impeller diameters up to 210 mm inclusive	0.3 mm (0.012 in.)
Impeller diameters 211 mm to 254 mm	0.4 mm (0.016 in.)

- Re-install the inner rotor and tighten up the locknut in accordance with torques shown in section 6.6.
- Check axial float is between 0.5 and 1.5 mm (0.02 and 0.06 in.).

### 6.8 Disassembly

**CAUTION** Refer to *Safety* section before dismantling the pump.


**CAUTION** Before dismantling the pump for overhaul, ensure genuine Flowserve replacement parts are available.

Refer to sectional drawings for part numbers and identification. See section 8, *Parts lists and drawings*.

Refer to section 6.5, *Tools required* for instruments needed during dismantling and assembly procedures. These tools are not supplied with the pump but can be ordered from Flowserve if required.

The "back pullout" design of these units enables the pump casing [1100] to be left in line. The outer assembly or inner assembly can be removed without disturbing the pump end thus allowing examination of the outer rotor and bearing housing ball bearings.

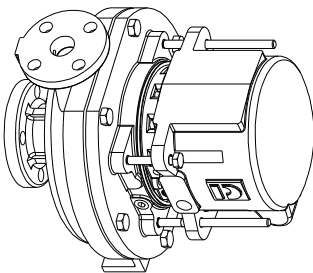
### 6.8.1 General

- a) Lock and tag power source.
- b) Ensure the work area is clean of grease, oil and metallic chips or dust. Ferritic dust will attract to magnetic assemblies.
- c) Drilling, grinding or machining should NOT be attempted near the work area.
- d)  The dismantled magnet assemblies [220 & 230] have a very strong attraction. They should be handled separately at a safe distance from each other and stored in a clean area.

### 6.8.2 Dismantling frame mounted outer assembly

- a) Loosen the bearing housing footbolts.
- b) Remove the 4 bolts [6570.3] holding the bearing housing to the casing cover.
- c) Insert 2 bolts into the threaded holes in the bearing housing flange.
  - M14 x 60 mm for Model 80
  - M14 x 75 mm for Model 100
  - M12 x 140 mm for Model 150
- d) Alternately jack the bolts into the flange,
  - 32 mm (1.25 in.) for frame 80
  - 53 mm (2.1 in.) for frame 100
  - 105 mm (4.1 in.) for frame 150.

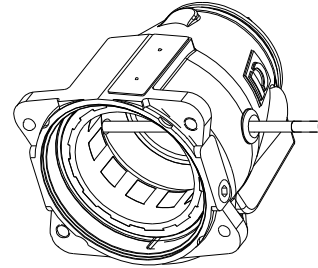
This will release the outer rotor from the flux of the inner rotor.



- e) Slide the outer assembly [230] out past the shell assembly.
- f) Secure the outer assembly in a horizontal position.
- g) Using a dial indicator, determine the play of the outer magnet carrier within the bore. If there is contact between the outer carrier and the skid ring [252], (if fitted), then the ball bearings [3011.1 & 2] need to be replaced.
- h) The nominal diametral clearance of the outer rotor to the skid ring is 1 mm (0.04 in.)

### 6.8.3 Removing outer rotor

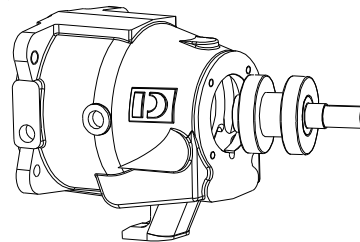
- a) The outer rotor is removed by first removing the pipe plug from the side of the housing.



- b) Rotate the outer rotor so that its 14 mm diameter hole aligns with the plug hole. Insert a bar or screw into the hole provided in the bearing housing and outer rotor to lock the rotor.
- c) Place a coupling hub and key onto the shaft coupling end and loosen the outer magnet assembly [230].

**Note:**

- Outer rotor is right hand thread.
- d) Continue to unscrew and remove the outer rotor from the large bore of the bearing housing.
  - e) Scuff marks on the skid ring [252] can be removed with a light file.
  - f) If the skid ring has excessive scuffing, it can be removed by first sawing a small cut in the ring, horizontally. Then place the end of a chisel under the outer diameter and tap one side of the cut up and over the other side. Continue hammering inwardly until the ring comes loose.
  - g) Clean the groove into which the skid ring fits.
  - h) Remove the four screws [6570.4] fastening the bearing end cover [3260] to the bearing housing face. Remove cover and gasket [4590.4].
  - i) Slide the bearing shaft assembly out of the bearing housing.



- j) Inspect both inboard [3011.1] and outboard [3011.2] ball bearings. Replace as necessary.

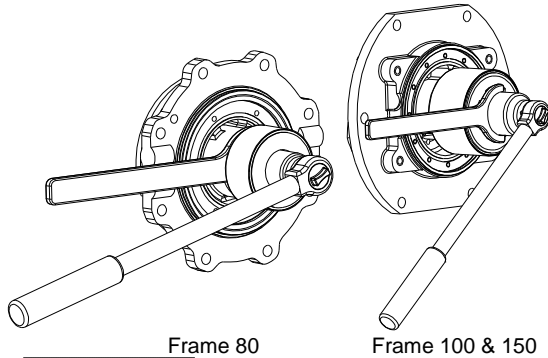
**6.8.4 Dismantling casing cover assembly**

- a) Loosen and remove the screws [6570.2] holding the casing [1100] and casing cover [1220] assembly together.
- b) Pull the casing cover assembly out of the casing and secure horizontally in a vice. On some of the heavier assemblies it is advisable to fit two studs into the top two holes in the casing to temporarily support the casing cover, whilst getting a firm grip.
- c) Remove the 6mm hexagon socket head containment shell capscrews [6570.1] and washers.
- d) Remove the containment shell(s) [224s] and containment shell gasket [4590.2]. Discard the gasket (and O-ring [4610] if dual containment).
- e) Loosen and remove the locknut [6580] using the appropriate socket and spanner wrench pair.

**Note:**

Locknut has left hand thread.

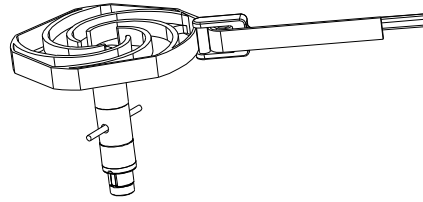
A handle extension may be required. See section 6.5, *Tools required*, for proper sizes.



**CAUTION**

When removing the shaft nut, residual fluid may be in the undercut.

- f) Rotate the inner rotor so that the shaft key [6700.2] is at 12 o'clock position. Slide the assembly [220] off the pump shaft and place in a clean, non-ferrous area.
- g) Remove the inner magnet assembly [220], key [6700.2] and shims [3126] from the shaft.
- h) Slide the shaft [2100.1], complete with impeller [2200], out of the casing cover [1220].
- i) Inspect the coated surface of the shaft, or sleeves [3400], if fitted. If damaged, it should be replaced.
- j) The impeller/shaft assembly may now be disassembled after first removing the sleeves and spacer [2460.1], if fitted.
- k) Secure the pump shaft [2100.1] in a vice in the vertical position using soft jaws with a pin through the bypass holes. Care must be exercised so that the coating is not damaged.



- l) Loosen impeller [2200] using a strap wrench or similar.

**Note:**

Right hand thread.)

- m) Inspect BOTH sleeve bearing-bushings [3300s] in the casing cover. Polishing in the bores and thrust faces is normal. No removal is required.
- n) If either bushing [3300s] appears to be cracked, chipped or severely worn, remove by laying the casing cover flat face uppermost.
- o) Remove two setscrews [6570.6], if fitted. (See drawings in section 8.5 and 8.6.)
- p) Using an arbor, press out the bushings.
- q) Remove tolerance rings [241s] and discard.
- r) Remove the thrust collar [3610] from the inner magnet rotor. The collar is a loose fit in the carrier bore.
- s) Remove the thrust collar gasket [4590.5], discard and replace.

**6.9 Examination of parts**

**CAUTION**

Used parts must be inspected before assembly to ensure the pump will subsequently run properly.

In particular, fault diagnosis is essential to enhance pump and plant reliability.

**CAUTION**

**THE MAGNETS MUST BE KEPT AT A SAFE DISTANCE FROM OTHER PARTS AND TOOLS.**

- a) Clean the internal pump parts thoroughly.
- b) Inspect for excessive wear, pitting, corrosion, erosion or damage and any sealing surface irregularities. Replace as necessary.
- c) For units equipped with a wash flow strainer, be sure to clean the filter removing any debris that may be blocking the strainer holes.
- d) Clean lubrication holes in the casing cover [1220], inner magnet carrier [220] and shaft [2100.1].
- e) On the casing cover, inspect the injection, vent, drain and return holes. Clean if necessary.
- f) The balance holes of the inner rotor should also be inspected and cleared of any debris.
- g) Replace all gaskets [4590s] and O-rings [4610s].

- h) Ensure all lubrication passageways in the bearing housing are clean and free from damage.
- i) Check the driver manufacturer's instructions. As a minimum, check the bearings and shaft for straightness.
- j) The lubricant, bearings and bearing seals in the motor should be inspected for contamination and damage.

### 6.10 Magnets

Demagnetization of the magnet material can be the result of either high operating temperatures around the magnet assemblies or decoupled magnets operating around a metallic containment shell.

High ambient temperatures are detrimental to the attraction properties of the magnets.

The inner magnet assembly is most susceptible to high operating temperatures and cannot tolerate operation above its upper critical temperature limit.

**Note:** If decoupling has occurred or if a system upset has caused the temperature limits to be exceeded, the original strength of the magnets may have decreased. The following torque test procedure should be followed in such a situation.

#### 6.10.1.1 Magnet torque test procedure

- a) Remove the casing [1100] from the pump.
- b) Secure the bearing housing on a stable worktable.
- c) Lock the outer rotor assembly [230] in position. Insert bolt in assembly hole.
- d) Remove the impeller [2200] by using a strap wrench around the periphery of the impeller. Turn counterclockwise.
- e) Install a shaft adapter on the shaft [2100.1] threaded connection.
  - Models 80 and 100 M22 -1.5 pitch
  - Model 150 M30 -1.5 pitch
- f) Use a torque wrench on the shaft adapter nut and turn clockwise to measure the force required to break the magnetic coupling. Adjust the wrench setting such that the torque value is determined prior to breaking the magnetic couple. This is the torque capability of the magnetic coupling.

Factory torque specification			
Model	Series	Minimum torque Nm (lbf•ft)	
		Neodymium	Samarium cobalt
80	8	13 (9.6)	11 (8.1)
80	15	27 (20)	24 (17.7)
100	25	45 (33)	40 (29.5)
100	50	90 (66)	80 (59)
150	50	80 (59)	70 (51.5)
150	100	160 (118)	140 (103)
150	150	240 (177)	210 (154.5)

### 6.11 Assembly

To assemble the pump consult the sectional drawings. See section 8, *Parts lists and drawings*.

Ensure threads, gasket and O-ring mating faces are clean. Apply thread sealant to non-face sealing pipe thread fittings.

#### 6.11.1 Outer assembly - bearing housing assembly

- a) If removed, replace the skid ring [252].
- b) If the radial ball bearings [3011s] are found to be damaged, remove the damaged ones and press two new bearings onto the shaft.

**Note:** Be sure to press on only the inner race of the bearing whilst pressing it onto the shaft [2100.2]. Press bearings up to the shaft shoulders.

- c) Install the bearing/shaft assembly into the bore of the bearing housing [3200].
- d) Seat the end cover gasket [4590.4].
- e) Bolt bearing end cover [3260] to bearing housing face with screws [6570.4].

**Note:** Be sure that the oil return grooves on the gasket and end cover line up.

- f) Tighten screws crosswise to 13 Nm (9.6 lbf•ft) torque.
- g) Turn the shaft coupling end to ensure freedom of rotation.
- h) Install the flinger [2540] over the shaft.

**Note:** Be sure that the flinger is not pressed down hard against the bearing end cover.

- i) Position the bearing housing [3200] horizontally.
- j) Coat the outer magnet rotor threads with anti-seize compound.
- k) Insert outer magnet rotor [230] into the large bore of the bearing housing and screw onto the frame shaft.

**Note:** Right hand thread.

- l) Insert a bar or screw into the holes provided in the bearing housing and outer rotor to lock the rotor.
- m) Place a coupling hub and key onto the shaft [2100.2] coupling end and torque the outer magnet assembly crosswise to 54 Nm (40 lbf•ft).
- n) Remove the bar or screw and check shaft for freedom of rotation.
- o) Re-install the pipe plug.

**6.11.2 Inner assembly - casing cover assembly**

- a) If the sleeve bearing bushings [3300s] were not removed during dismantling, proceed to *Rotor assembly*, section 6.11.3.
- b) The inboard tolerance ring [241.1] must be trimmed to length using tin snips. This is due to the difference in diameter of the two bushings. Trim off three corrugations prior to placement in the casing cover [1220].
- c) There must be a minimum gap of 1.5 mm (0.06 in.) between the cut ends of the tolerance ring before assembly of bushes.
- d) Install the cut tolerance ring into the inner bore.
 

Note:

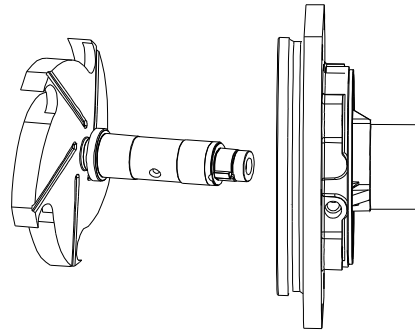
 Rotate the ring to guarantee it is secure.
- e) Position the casing cover with "top" designation at 12 o'clock position.
- f) Insert the front bearing bushing [3300.1] so that the lubrication groove is at a 9 o'clock position. The face with the white spot should be visible. The opposite face is lapped and should locate against the shoulder in the casing cover.
- g) Press in the front bearing bushing up to the shoulder in the casing cover.
- h) Fit bearing bush spacer [2460.2] (if appropriate).
- i) Insert the second tolerance ring [241.2], rotating it for a secure fit.
- j) Insert rear bearing bushing [3300.2] until resistance is felt.
- k) Position the bushing so that one lubrication groove is at the 6 o'clock position and press in up to the shoulder in the casing cover. The face with the white spot should mate up to the shoulder in the casing cover.
- l) If a bearing bush spacer has been fitted, secure with two radial socket head setscrews [6570.2].

**6.11.3 Rotor assembly**

- a) Thoroughly clean and degrease impeller and shaft threads.
- b) Install the impeller [2200] on the pump shaft [2100.1], after first applying anti-seize compound (which does not contain copper) at

the impeller to shaft thread to assist in subsequent removal.

- c) Secure the pump shaft in a vice in the vertical position using soft jaws with a pin through the bypass holes. Care must be exercised so that the coating is not damaged.
- d) Tighten the impeller using a strap wrench or similar.
- e) If fitted, slide sleeves [3400] and spacer [2460.1] onto shaft.
- f) Position the casing cover [1220] upright with the through bore in the horizontal plane and "TOP" designation at 12 o'clock.
- g) Slide the shaft [2100.1] through the casing cover.



- h) Diametral journal bearing clearances are 0.08 to 0.13 mm (0.003 to 0.005 in.). Extreme care must be exercised.
- i) Place the thrust collar gasket [4590.5] into the inner rotor.
- j) Make sure it is fitted over the drive pin [2923], which should be replaced if damaged.
- k) If a new pin is fitted it must be ensured it does not protrude more than 3 mm (0.12 in.) from inner rotor face. The top of the pin should not foul the silicon carbide thrust face. Shorten if necessary.
- l) Install the thrust collar [3610] into the inner rotor. Be sure that the slot in the thrust collar is in alignment with the drive pin. Small spots of grease may be used to hold the gasket and collar in place, if necessary.
- m) Install 0.8 mm (0.032 in.) shim [3126] on the pump shaft, between inner rotor and shaft shoulder.
- n) Install the inner rotor key [6700.2].
- o) Slide the inner rotor [220] onto the shaft -pump end.
- p) Thread the locknut [6580] onto the shaft-pump end.

**Note:**

Left hand threads.

- q) Check the setting of impeller clearance, see section 6.7, *Setting of the impeller clearance*.

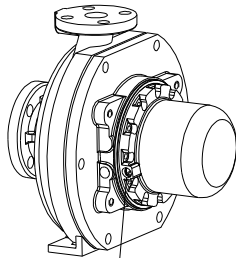
- r) Tighten the locknut and torque up to the values given in section 6.6.

**6.11.4 Containment shell assembly - single containment metallic shell**

- a) Install the containment shell gasket [4590.2] in the groove in the casing cover [1220].
- b) Install the metallic shell [224.2].
- c) Install the backing ring [1240].
- d) Install and tighten the 6 mm capscrews [6570.1] to 11 Nm (8 lbf•ft). Torque screws crosswise.

**6.11.5 Containment shell assembly - single containment PEEK shell**

- a) Install the containment shell gasket [4590.2] in the groove in the casing cover [1220].
- b) Install shell [224.1] with slotted temperature tap as shown.



Slotted tap for temperature monitoring

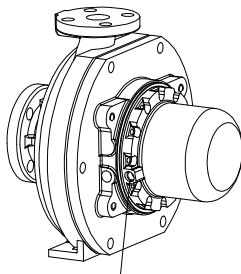
- c) Install and tighten the 6 mm capscrews and washers [6570.1] to 11 Nm (8 lbf•ft). Torque screws crosswise

**Note:**

It is important that washers are not omitted otherwise excessive damage to PEEK shell flange will occur.

**6.11.6 Containment shell assembly - dual containment**

- a) Install the containment shell gasket [4590.2] in the groove in the casing cover [1220].
- b) Install the metallic shell [241.2].
- c) Install dual containment O-ring [4610].
- d) Install PEEK shell [241.1] with pressure tap as shown.



Threaded tap for dual containment pressure monitoring

- e) Install and tighten the 6 mm capscrews and washers [6570.1] to 11Nm (8 lbf•ft). Torque up screws crosswise.

**Note:**

It is important that washers are not omitted otherwise excessive damage to PEEK shell flange will occur.

**6.11.7 Final bearing housing assembly**

- a) Install the 2 jack bolts, (previously used for disassembly), into the bearing housing [3200] and thread in until they extend as follows:
  - Model 80 26 mm (1.0 in.)
  - Model 100 45 mm (1.75 in.)
  - Model 150 95 mm (3.75 in.)
- b) It is recommended that a liquid sealant, Hylomar Universal Blue or equivalent, is applied between the bearing housing and casing cover. [4590.3] on sectional arrangement refers.
- c) Position the outer assembly [230] over the shell until the jacking screws rest against the casing cover [1220].
- d) Back out the jack screws ALTERNATELY, ensuring spigot between casing cover and bearing housing is fully located and square.
- e) Remove the jacking bolts.
- f) Install the four bearing housing to cover bolts [6570.3] and torque crosswise to 54 Nm (40 lbf•ft).
- g) Tighten the foot bolt(s) [6570.5].
- h) Re-check the frame shaft [2100.2] for freedom of rotation.
- i) Install the coupling.
- j) Align the coupling. (See section 4.5, *Initial alignment*.)
- k) Ensure that all other items have been re-attached and all fasteners tightened, then follow the instructions in the *Installation* sections.



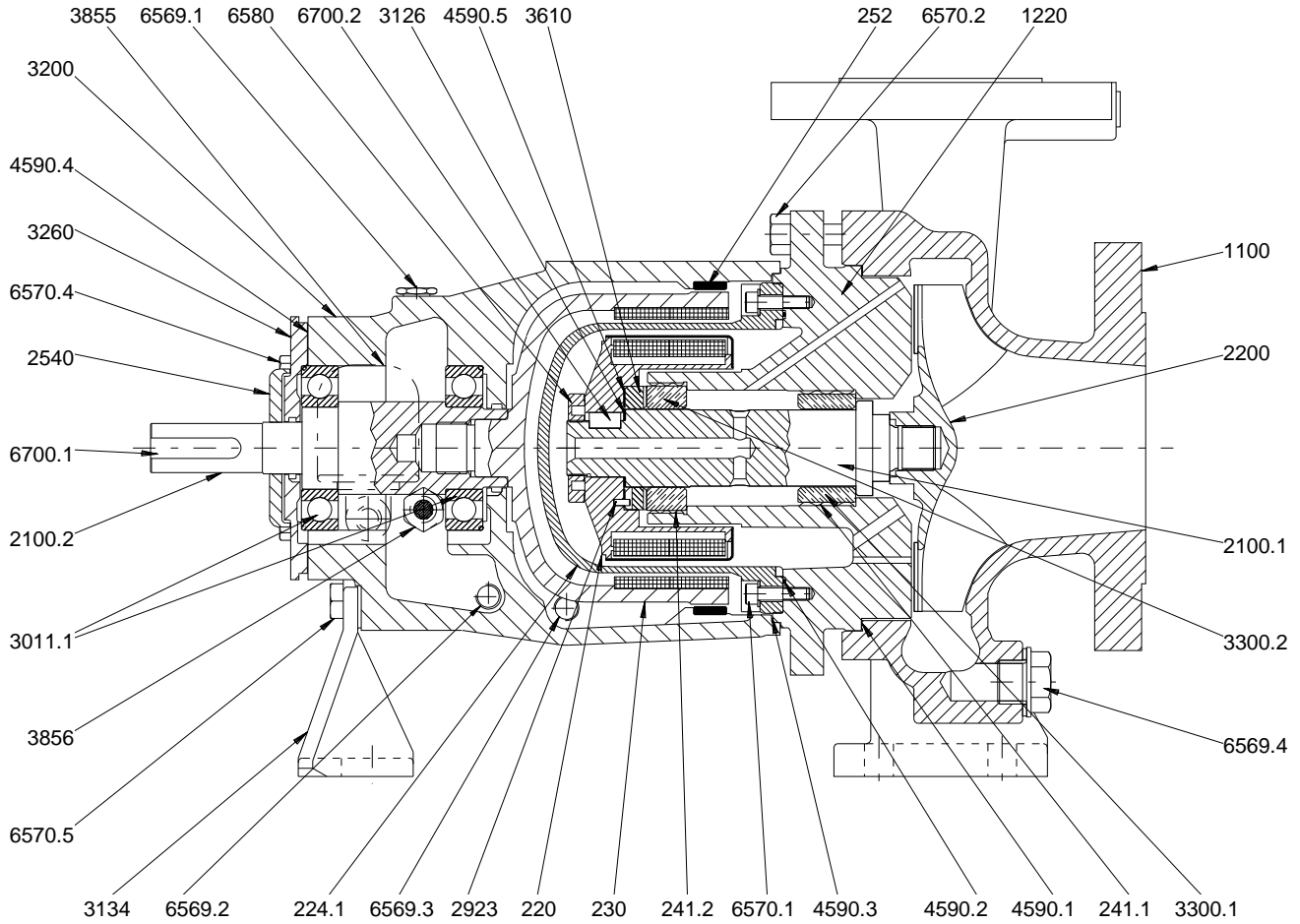


**FAULT SYMPTOM**

<b>Pump overheats and seizes</b>														
↓	<b>Bearings have short life</b>													
↓	<b>Pump vibrates or is noisy</b>													
↓	<b>Pump requires excessive power</b>													
↓	<b>Pump loses prime after starting</b>													
↓	<b>Insufficient pressure developed</b>													
↓	<b>Insufficient capacity delivered</b>													
↓	<b>Pump does not deliver liquid</b>													
↓	<b>Possible Causes</b>													
↓	<b>Possible Remedies</b>													
●	●	●	●										Rotating part rubbing on stationary part internally.	Check and CONSULT FLOWSERVE, if necessary.
●	●	●											Bearings worn.	Replace bearings.
		●	●	●									Wearing ring surfaces worn.	Replace worn wear ring/surfaces.
			●	●									Impeller damaged or eroded.	Replace or CONSULT FLOWSERVE for improved material selection.
	●												Shell O-ring/casing gasket failure.	Replace with care or CONSULT FLOWSERVE for improved material selection.
			●	●	●								Magnetic coupling de-coupled.	CONSULT FLOWSERVE to determine the cause.
	●												Shell corroded/eroded through	Replace or CONSULT FLOWSERVE for improved material selection.
●	●	●											Shaft running off centre because of worn bearings or misalignment.	Check misalignment and correct if necessary. If alignment satisfactory check bearings for excessive wear.
●	●	●											Impeller out of balance resulting in vibration.	Check and CONSULT FLOWSERVE.
													Pump was run dry.	Improve control on pump to prevent recurrence or CONSULT FLOWSERVE for advice.
		●											Internal misalignment due to improper repairs causing impeller to rub.	Check method of assembly, possible damage or state of cleanliness during assembly. Remedy or CONSULT FLOWSERVE, if necessary.
●	●												Excessive thrust caused by a mechanical failure inside the pump.	Check wear condition of impeller, its clearances and liquid passages.
	●												Excessive grease in ball bearings.	Check method of regreasing.
	●												Lack of lubrication for bearings.	Check hours run since last change of lubricant, the schedule and its basis.
	●												Improper installation of bearings (damage during assembly, incorrect assembly, wrong type of bearing etc).	Check method of assembly, possible damage or state of cleanliness during assembly and type of bearing used. Remedy or CONSULT FLOWSERVE, if necessary.
	●												Damaged bearings due to contamination.	Check contamination source and replace damaged bearings.
<b>C. Motor electrical problems</b>														
		●	●	●									Wrong direction of rotation.	Reverse 2 phases at motor terminal box.
		●		●									Motor running on 2 phases only.	Check supply and fuses.
	●												Motor running too slow.	Check motor terminal box connections and voltage.

## 8 PARTS LISTS AND DRAWINGS

### 8.1 CPXS – frame mounted – coated shaft – PEEK shell



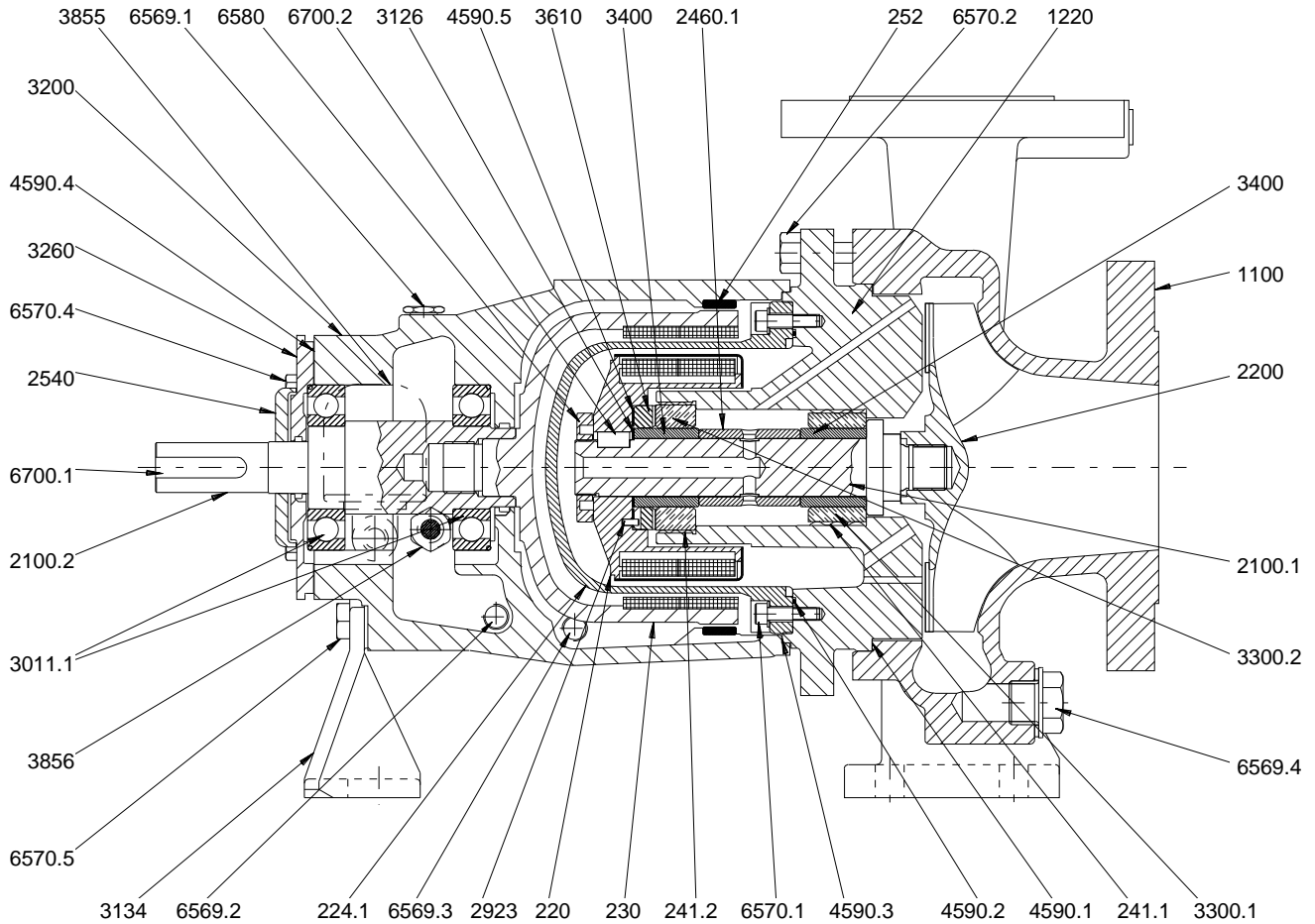
Item	Description
220	Magnet assembly (inner)
224.1	Containment shell
230	Magnet assembly (outer)
241.1	Tolerance ring
241.2	Tolerance ring
252	Skid ring *
1100	Casing
1220	Cover
2100.1	Shaft (pump)
2100.2	Shaft
2200	Impeller
2540	Flinger (liquid)
2923	Pin
3011.1	Radial ball bearing
3011.2	Radial ball bearing
3126	Shim (pack)
3134	Support foot
3200	Bearing housing
3260	Bearing cover
3300.1	Bearing bush
3300.2	Bearing bush

3610	Thrust collar
3855	Constant level oiler *
3856	Oil sight gauge *
4590.1	Gasket
4590.2	Gasket
4590.3	Gasket
4590.4	Gasket
4590.5	Gasket
6569.1	Plug (filler) *
6569.2	Plug (magnetic) *
6569.3	Plug *
6569.4	Plug (casing drain)
6570.1	Screw (with washer)
6570.2	Screw
6570.3	Screw **
6570.4	Screw
6570.5	Screw
6580	Nut (rotor)
6700.1	Key
6700.2	Key

\* When supplied. \*\* Not shown.

**CPXNS CASING HAS CENTRE-LINE MOUNTING FEET**

## 8.2 CPXS – frame mounted – sleeved shaft – PEEK shell



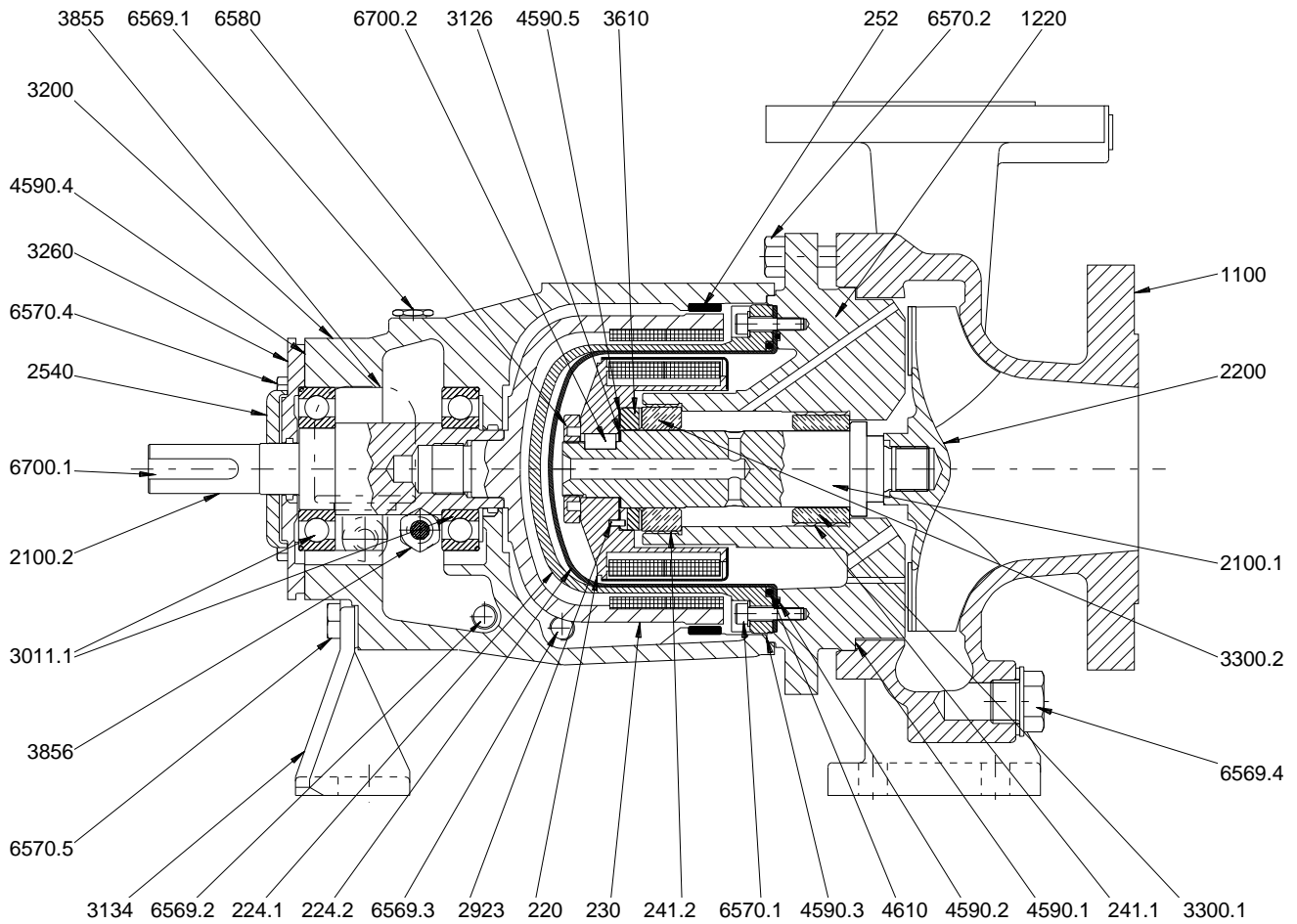
Item	Description
220	Magnet assembly (inner)
224.1	Containment shell
230	Magnet assembly (outer)
241.1	Tolerance ring
241.2	Tolerance ring
252	Skid ring *
1100	Casing
1220	Cover
2100.1	Shaft
2100.2	Shaft
2200	Impeller
2460.1	Spacer sleeve (shaft)
2540	Flinger (liquid)
2923	Pin
3011.1	Radial ball bearing
3011.2	Radial ball bearing
3126	Shim (pack)
3134	Support foot
3200	Bearing housing
3260	Bearing cover
3300.1	Bearing bush
3300.2	Bearing bush

3400	Bearing sleeve
3610	Thrust collar
3855	Constant level oiler *
3856	Oil sight gauge *
4590.1	Gasket
4590.2	Gasket
4590.3	Gasket
4590.4	Gasket
4590.5	Gasket
6569.1	Plug (filler) *
6569.2	Plug (magnetic) *
6569.3	Plug *
6569.4	Plug
6570.1	Screw (with washer)
6570.2	Screw
6570.3	Screw **
6570.4	Screw
6570.5	Screw
6580	Nut (rotor)
6700.1	Key
6700.2	Key

\* When supplied. \*\* Not shown.

**CPXNS CASING HAS CENTRE-LINE MOUNTING FEET**

### 8.3 CPXS – frame mounted – coated shaft – dual containment



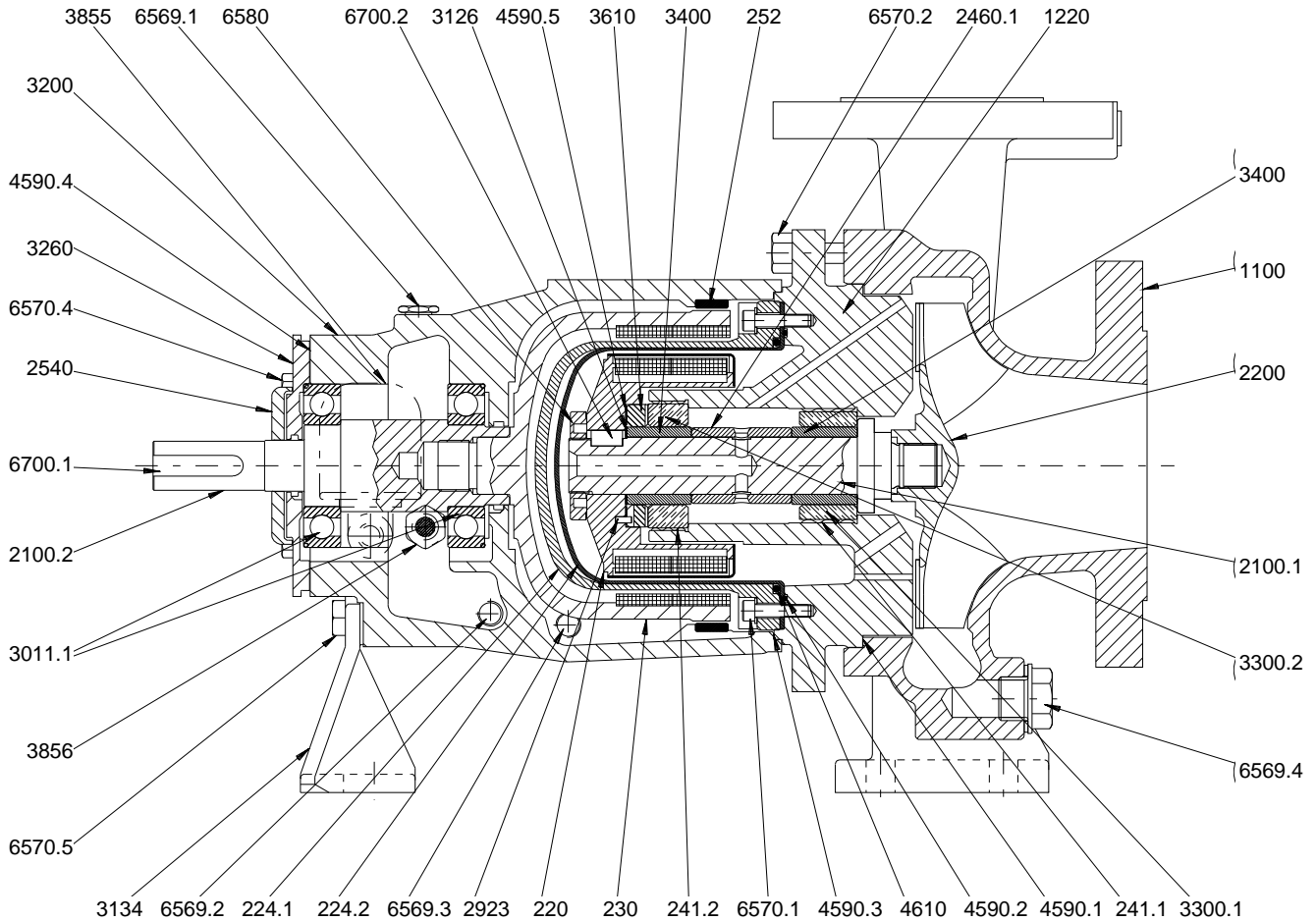
Item	Description
220	Magnet Assembly (inner)
224.1	Containment shell
224.2	Containment shell
230	Magnet assembly (outer)
241.1	Tolerance ring
241.2	Tolerance ring
252	Skid ring *
1100	Casing
1220	Cover
2100.1	Shaft
2100.2	Shaft
2200	Impeller
2540	Flinger (liquid)
2923	Pin
3011.1	Radial ball bearing
3011.2	Radial ball bearing
3126	Shim (pack)
3134	Support foot
3200	Bearing housing
3260	Bearing cover
3300.1	Bearing bush
3300.2	Bearing bush

3610	Thrust collar
3855	Constant level oiler *
3856	Oil sight gauge *
4590.1	Gasket
4590.2	Gasket
4590.3	Gasket
4590.4	Gasket
4590.5	Gasket
4610	O-ring
6569.1	Plug (filler) *
6569.2	Plug (magnetic) *
6569.3	Plug *
6569.4	Plug
6570.1	Screw (with washer)
6570.2	Screw
6570.3	Screw **
6570.4	Screw
6570.5	Screw
6580	Nut (rotor)
6700.1	Key
6700.2	Key

\* When supplied. \*\* Not shown.

**CPXNS CASING HAS CENTRE-LINE MOUNTING FEET**

### 8.4 CPXS – frame mounted – sleeved shaft – dual containment



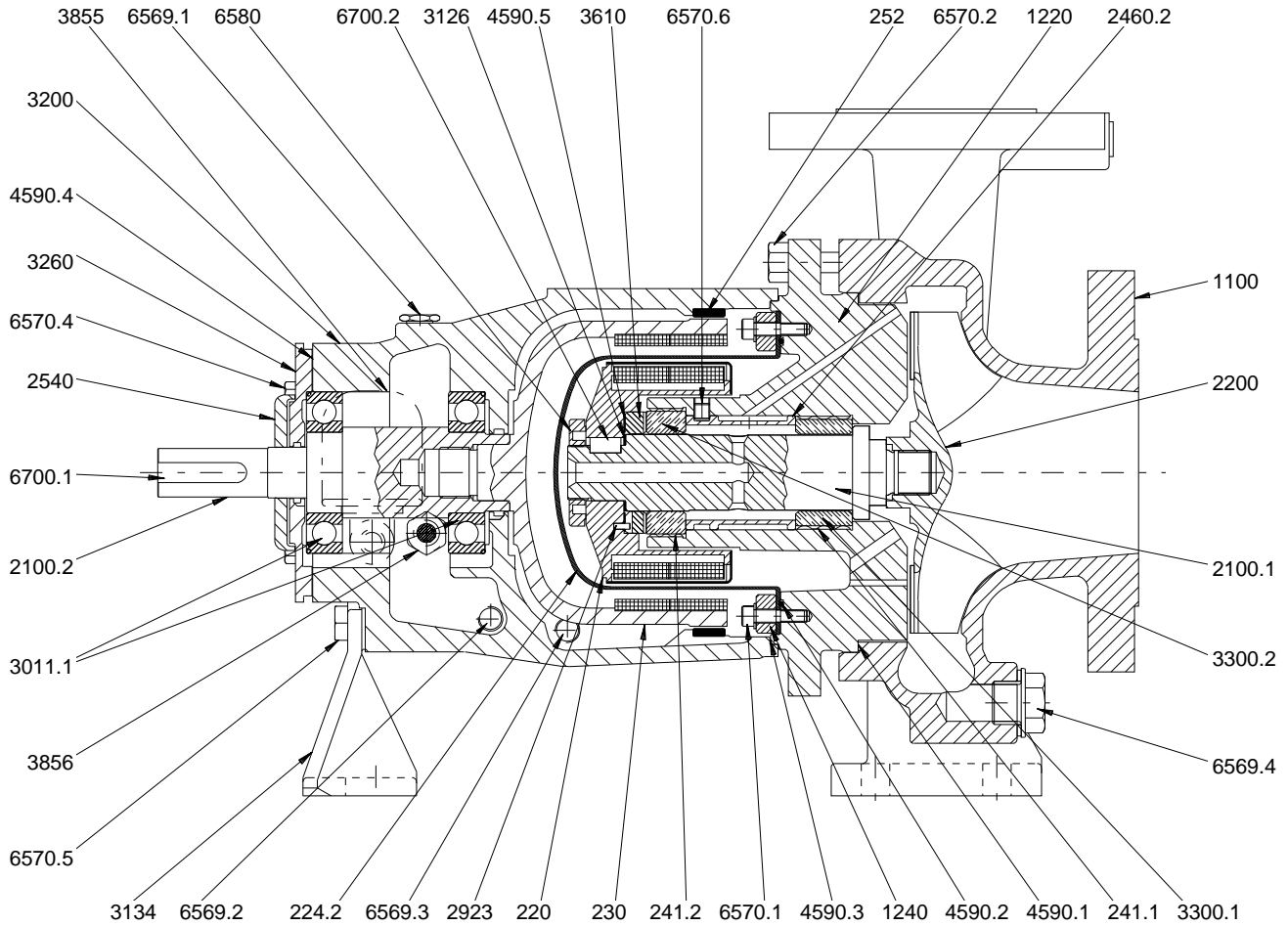
Item	Description
220	Magnet assembly (inner)
224.1	Containment shell
224.2	Containment shell
230	Magnet assembly (outer)
241.1	Tolerance ring
241.2	Tolerance ring
252	Skid ring *
1100	Casing
1220	Cover
2100.1	Shaft
2100.2	Shaft
2200	Impeller
2460.1	Spacer sleeve (shaft)
2540	Flinger (liquid)
2923	Pin
3011.1	Radial ball bearing
3011.2	Radial ball bearing
3126	Shim (pack)
3134	Support foot
3200	Bearing housing
3260	Bearing cover
3300.1	Bearing bush
3300.2	Bearing bush

3400	Bearing sleeve
3610	Thrust collar
3855	Constant level oiler *
3856	Oil sight gauge *
4590.1	Gasket
4590.2	Gasket
4590.3	Gasket
4590.4	Gasket
4590.5	Gasket
4610	O-ring
6569.1	Plug (filler) *
6569.2	Plug (magnetic) *
6569.3	Plug *
6569.4	Plug
6570.1	Screw (with washer)
6570.2	Screw
6570.3	Screw **
6570.4	Screw
6570.5	Screw
6580	Nut (rotor)
6700.1	Key
6700.2	Key

\* When supplied. \*\* Not shown.

**CPXNS CASING HAS CENTRE-LINE MOUNTING FEET**

### 8.5 CPXS – frame mounted – coated shaft – metal shell



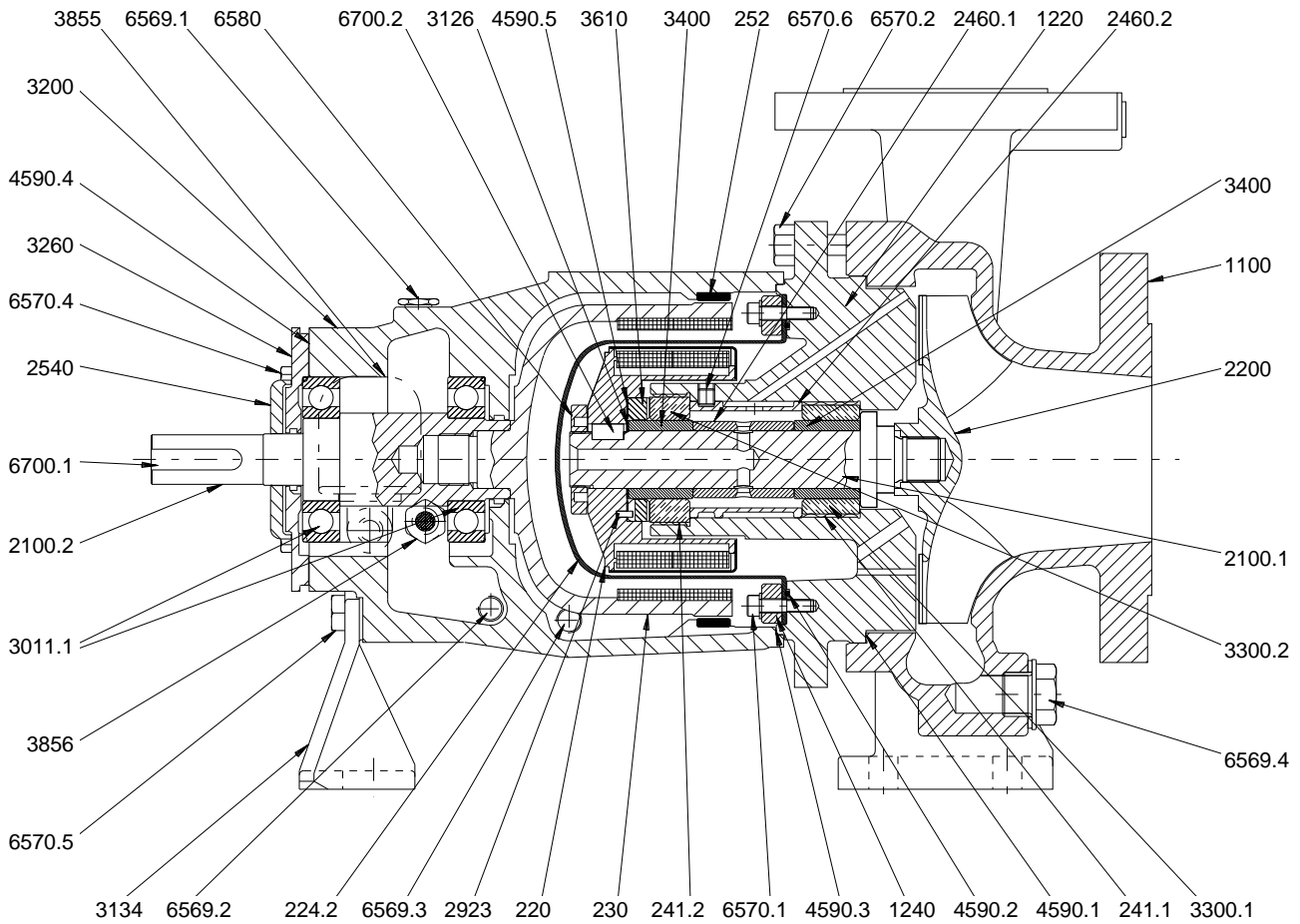
Item	Description
220	Magnet assembly (inner)
224.2	Containment shell
230	Magnet assembly (outer)
241.1	Tolerance ring
241.2	Tolerance ring
252	Skid ring *
1100	Casing
1220	Cover
1240	Clamping ring
2100.1	Shaft
2100.2	Shaft
2200	Impeller
2460.2	Spacer sleeve (cover) *
2540	Flinger (liquid)
2923	Pin
3011.1	Radial ball bearing
3011.2	Radial ball bearing
3126	Shim (pack)
3134	Support foot
3200	Bearing housing
3260	Bearing cover
3300.1	Bearing bush
3300.2	Bearing bush

3610	Thrust collar
3855	Constant level oiler *
3856	Oil sight gauge *
4590.1	Gasket
4590.2	Gasket
4590.3	Gasket
4590.4	Gasket
4590.5	Gasket
6569.1	Plug (filler) *
6569.2	Plug (magnetic) *
6569.3	Plug *
6569.4	Plug
6570.1	Screw (with washer)
6570.2	Screw
6570.3	Screw **
6570.4	Screw
6570.5	Screw
6570.6	Screw *
6580	Nut (rotor)
6700.1	Key
6700.2	Key

\* When supplied. \*\* Not shown.

**CPXNS CASING HAS CENTRE-LINE MOUNTING FEET**

### 8.6 CPXS – frame mounted – sleeved shaft – metal shell



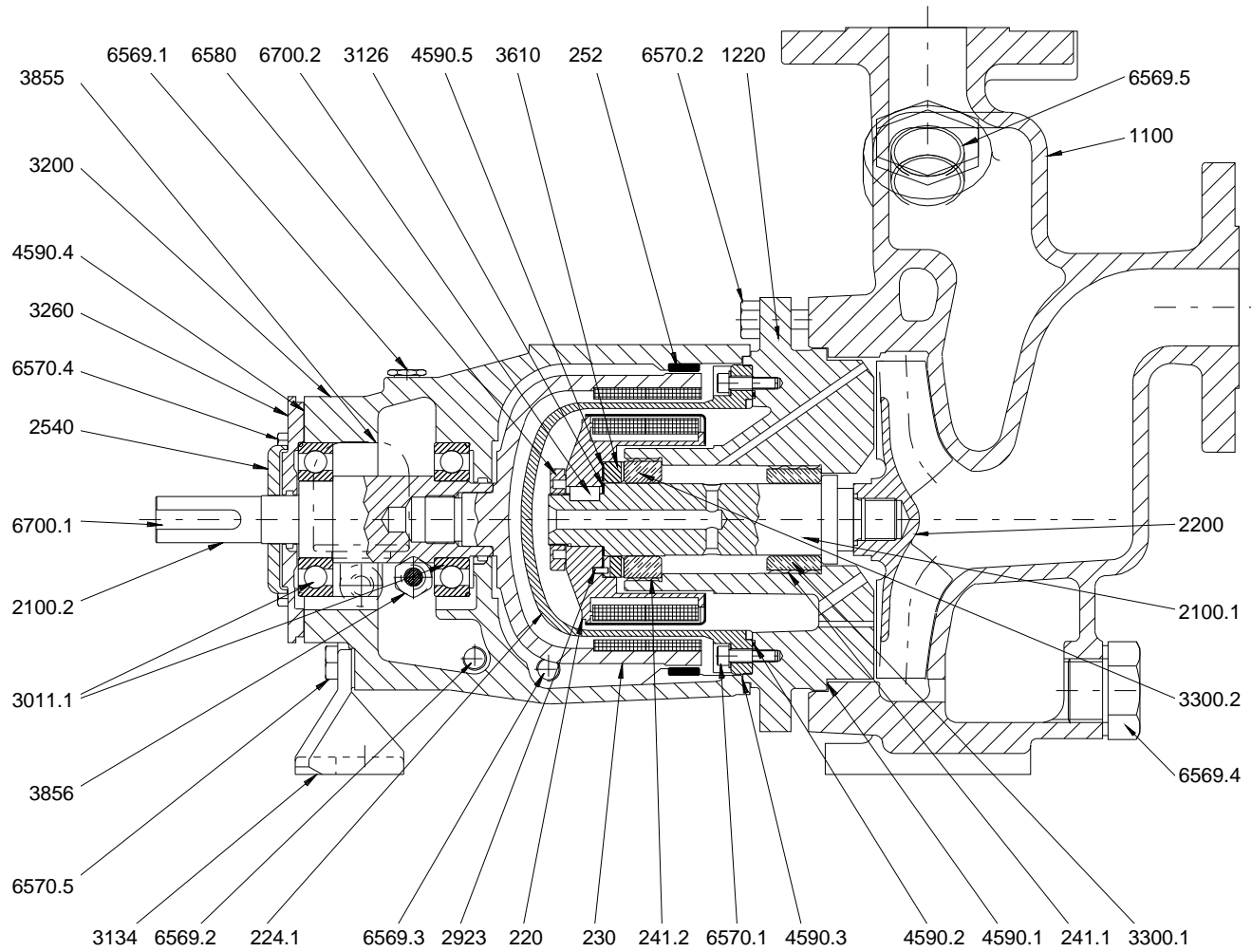
Item	Description
220	Magnet assembly (inner)
224.2	Containment shell
230	Magnet assembly (outer)
241.1	Tolerance ring
241.2	Tolerance ring
252	Skid ring *
1100	Casing
1220	Cover
1240	Clamping ring
2100.1	Shaft
2100.2	Shaft
2200	Impeller
2460.1	Spacer sleeve (shaft)
2460.2	Spacer sleeve (cover) *
2540	Flinger (liquid)
2923	Pin
3011.1	Radial ball bearing
3011.2	Radial ball bearing
3126	Shim (pack)
3134	Support foot
3200	Bearing housing
3260	Bearing cover
3300.1	Bearing bush
3300.2	Bearing bush

3400	Bearing sleeve
3610	Thrust collar
3855	Constant level oiler *
3856	Oil sight gauge *
4590.1	Gasket
4590.2	Gasket
4590.3	Gasket
4590.4	Gasket
4590.5	Gasket
6569.1	Plug (filler) *
6569.2	Plug (magnetic) *
6569.3	Plug *
6569.4	Plug
6570.1	Screw (with washer)
6570.2	Screw
6570.3	Screw **
6570.4	Screw
6570.5	Screw
6570.6	Screw *
6580	Nut (rotor)
6700.1	Key
6700.2	Key

\* When supplied. \*\* Not shown.

**CPXNS CASING HAS CENTRE-LINE MOUNTING FEET**

### 8.7 CPXPS – frame mounted – coated shaft – PEEK shell



Item	Description
220	Magnet assembly (inner)
224.1	Containment shell
230	Magnet assembly (outer)
241.1	Tolerance ring
241.2	Tolerance ring
252	Skid ring *
1100	Casing
1220	Cover
2100.1	Shaft
2100.2	Shaft
2200	Impeller
2540	Flinger (liquid)
2923	Pin
3011.1	Radial ball bearing
3011.2	Radial ball bearing
3126	Shim (pack)
3134	Support foot
3200	Bearing housing
3260	Bearing cover
3300.1	Bearing bush
3300.2	Bearing bush

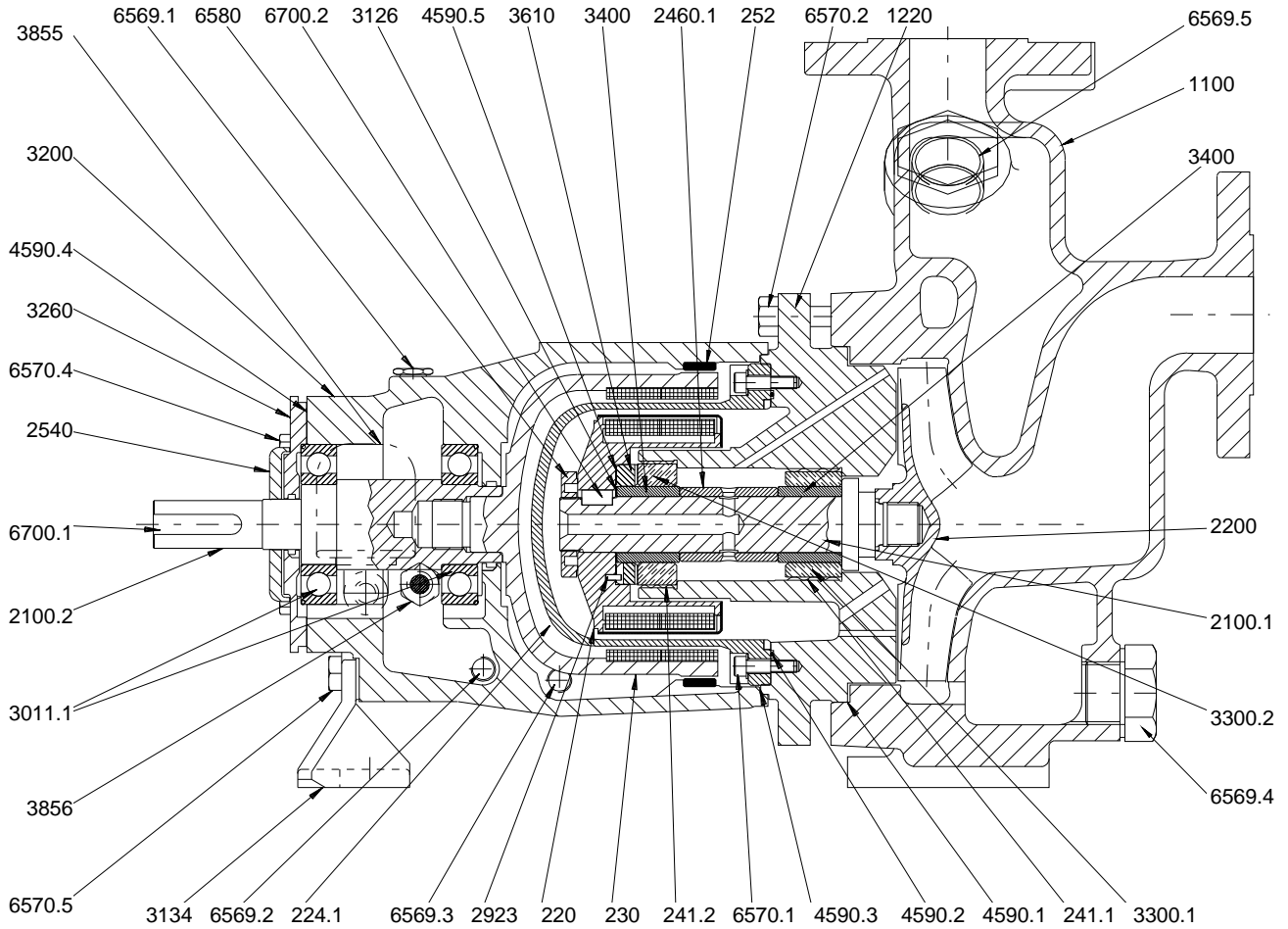
3610	Thrust collar
3855	Constant level oiler *
3856	Oil sight gauge *
4590.1	Gasket
4590.2	Gasket
4590.3	Gasket
4590.4	Gasket
4590.5	Gasket
6569.1	Plug (filler) *
6569.2	Plug (magnetic) *
6569.3	Plug *
6569.4	Plug
6569.5	Plug
6570.1	Screw (with washer)
6570.2	Screw
6570.3	Screw **
6570.4	Screw
6570.5	Screw
6580	Nut (rotor)
6700.1	Key
6700.2	Key

\* When supplied. \*\* Not shown.

**CPXNS CASING HAS CENTRE-LINE MOUNTING FEET**



### 8.8 CPXPS – frame mounted – sleeved shaft – PEEK shell



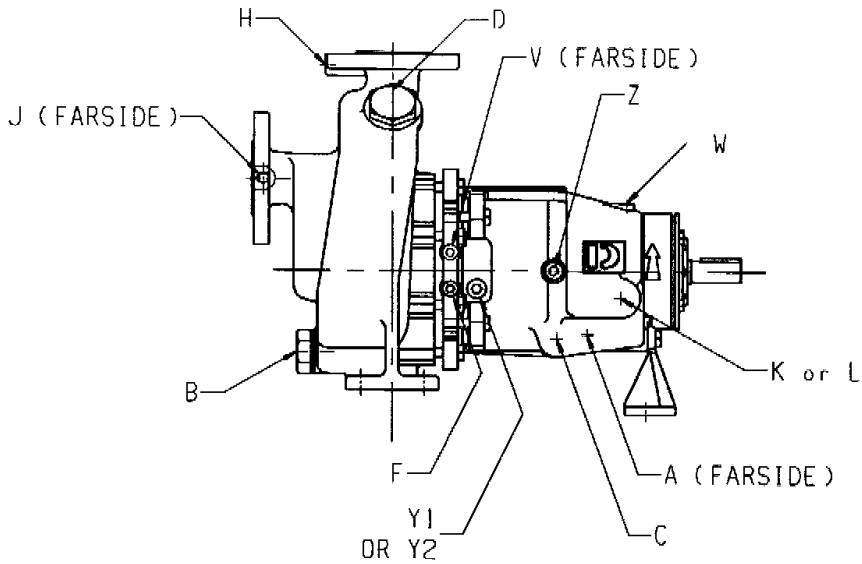
Item	Description
220	Magnet assembly (inner)
224.1	Containment shell
230	Magnet assembly (outer)
241.1	Tolerance ring
241.2	Tolerance ring
252	Skid ring *
1100	Casing
1220	Cover
2100.1	Shaft
2100.2	Shaft
2200	Impeller
2460.1	Spacer sleeve (shaft)
2540	Flinger (liquid)
2923	Pin
3011.1	Radial ball bearing
3011.2	Radial ball bearing
3126	Shim (pack)
3134	Support foot
3200	Bearing housing
3260	Bearing cover
3300.1	Bearing bush
3300.2	Bearing bush
3400	Bearing sleeve

3610	Thrust collar
3855	Constant level oiler *
3856	Oil sight gauge *
4590.1	Gasket
4590.2	Gasket
4590.3	Gasket
4590.4	Gasket
4590.5	Gasket
6569.1	Plug (filler) *
6569.2	Plug (magnetic) *
6569.3	Plug *
6569.4	Plug
6569.5	Plug
6570.1	Screw (with washer)
6570.2	Screw
6570.3	Screw **
6570.4	Screw
6570.5	Screw
6580	Nut (rotor)
6700.1	Key
6700.2	Key

\* When supplied. \*\* Not shown.

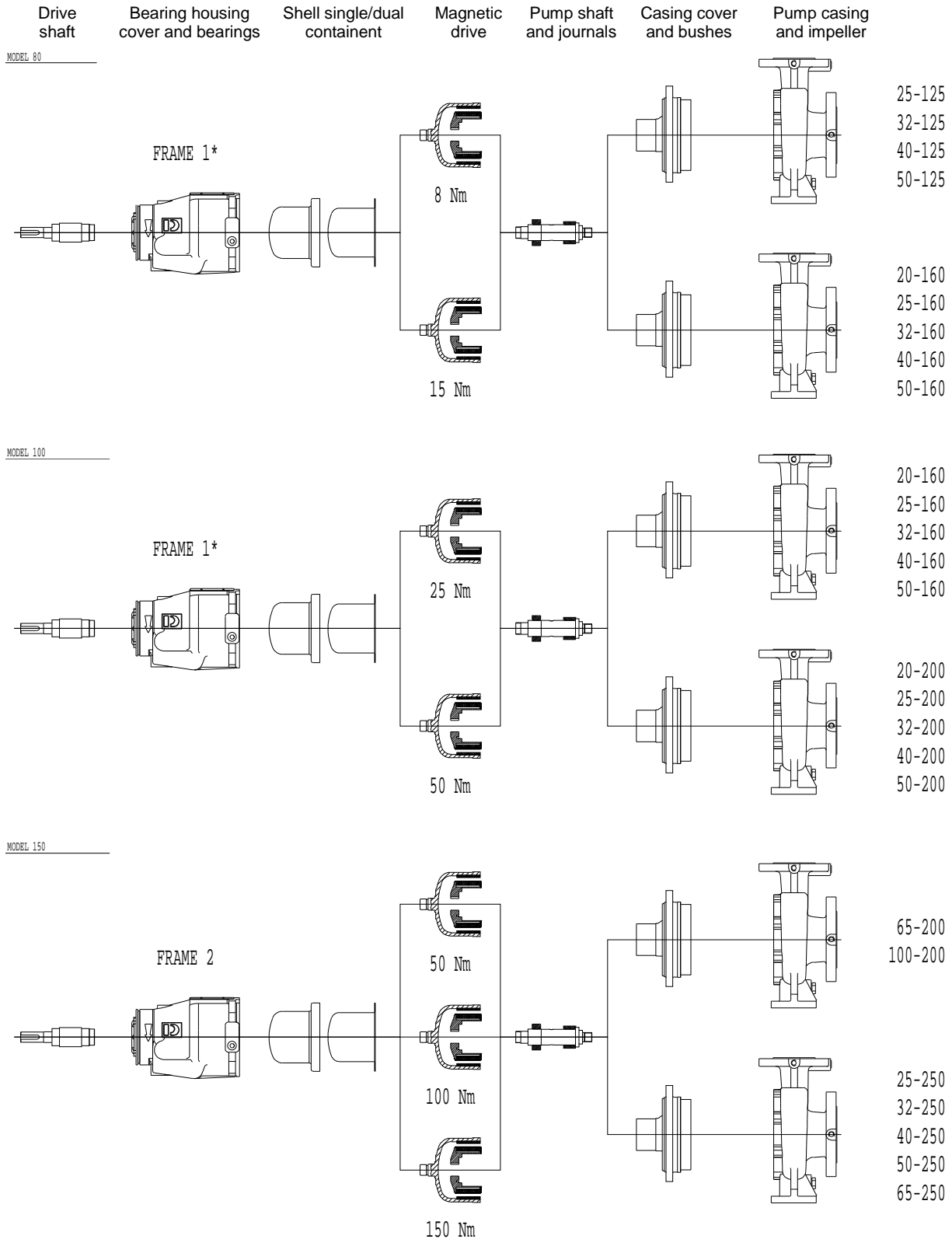
**CPXNS CASING HAS CENTRE-LINE MOUNTING FEET**

### 8.9 CPXPS - auxiliary connection points



Auxiliary connection (Rp)	
A G 1/4	Bearing housing drain (plugged when provided)
B	Casing drain plug (plugged as standard)
C Rp 3/8	Leakage (plugged when provided)
D	Casing fill (plugged as standard)
F Rp 3/8	External flush connection (plugged when provided)
H Rp 1/4	Discharge gauge connection (plugged when provided)
J Rp 1/4	Suction gauge flush connection (plugged when provided)
K G 1/2	Sight glass (when fitted)
L Rp 1/4	Constant level oiler (when fitted)
V Rp 3/8	Fluid temperature connection (plugged when provided)
W Rp 3/8	Bearing housing vent ( when provided)
Y1 Rp 1/2	Not used
Y2 Rp 1/2	Not used
Z Rp 1/2	Assembly access (plugged as standard)

### 8.10 CPXS - parts interchangeability



**Notes:**

- \* Ball bearings and bearing cover common on models 80 and 100.
- All Ø125 and Ø160 impellers have deeper back vanes than standard CPX and are therefore not interchangeable.

### 8.11 General arrangement drawing

The typical general arrangement drawing and any specific drawings required by the contract will be sent to the Purchaser separately unless the contract specifically calls for these to be included into the User Instructions. If required, copies of other drawings sent separately to the Purchaser should be obtained from the Purchaser and retained with these User Instructions.

## 9 CERTIFICATION

Certificates determined from the Contract requirements are provided with these Instructions where applicable. Examples are certificates for CE marking, ATEX marking etc. If required, copies of other certificates sent separately to the Purchaser should be obtained from the Purchaser for retention with these User Instructions.

## 10 OTHER RELEVANT DOCUMENTATION AND MANUALS

### 10.1 Supplementary User Instruction manuals

Supplementary instruction determined from the contract requirements for inclusion into User Instructions such as for a driver, instrumentation, controller, sub-driver, seals, sealant system, mounting component etc are included under this section. If further copies of these are required they should be obtained from the purchaser for retention with these User Instructions.

Where any pre-printed set of User Instructions are used, and satisfactory quality can be maintained only by avoiding copying these, they are included at the end of these User Instructions such as within a standard clear polymer software protection envelope.

### 10.2 Change notes

If any changes, agreed with Flowserve, are made to the product after its supply, a record of the details should be maintained with these User Instructions.

### 10.3 Additional sources of information

*Reference 1:*

NPSH for Rotodynamic Pumps: a reference guide, Europump Guide No. 1, Europump & World Pumps, Elsevier Science, United Kingdom, 1999.

*Reference 2:*

Pumping Manual, 9<sup>th</sup> edition, T.C. Dickenson, Elsevier Advanced Technology, United Kingdom, 1995.

*Reference 3:*

Pump Handbook, 2<sup>nd</sup> edition, Igor J. Karassik et al, McGraw-Hill Inc., New York, 1993.

*Reference 4:*

ANSI/HI 1.1-1.5. Centrifugal Pumps - Nomenclature, Definitions, Application and Operation.

*Reference 5:*

ANSI B31.3 - Process Piping.



**NOTES:**



**NOTES:**



**NOTES:**

**Your Flowserve factory contact:**

Flowserve Pumps  
Flowserve GB Limited  
PO Box 17, Newark  
Notts NG24 3BU  
United Kingdom

Telephone (24 hours): +44 1636 494 600  
Sales & Admin Fax: +44 1636 705 991  
Repair & Service Fax: +44 1636 494 833

Email: [newarksales@flowserve.com](mailto:newarksales@flowserve.com)

**Your local Flowserve representative:**

To find your local Flowserve representative please use the Sales Support Locator System found at [www.flowserve.com](http://www.flowserve.com)

**FLOWSERVE REGIONAL SALES OFFICES:****USA and Canada**

Flowserve Corporation  
5215 North O'Connor Blvd.,  
Suite 2300  
Irving, Texas 75039-5421, USA  
Telephone +1 972 443 6500  
Fax +1 972 443 6800

**Europe, Middle East, Africa**

Flowserve FSG – Italy  
Worthing S.r.l.  
Via Rossini 90/92  
20033 Desio (Milan), Italy  
Telephone +39 0362 6121  
Fax +39 0362 628 882

**Latin America and Caribbean**

Flowserve Corporation  
6840 Wynnwood Lane  
Houston, Texas 77008, USA  
Telephone +1 713 803 4434  
Fax +1 713 803 4497

**Asia Pacific**

Flowserve Pte. Ltd  
10 Tuas Loop  
Singapore 637345  
Telephone +65 6771 0600  
Fax +65 6862 2329