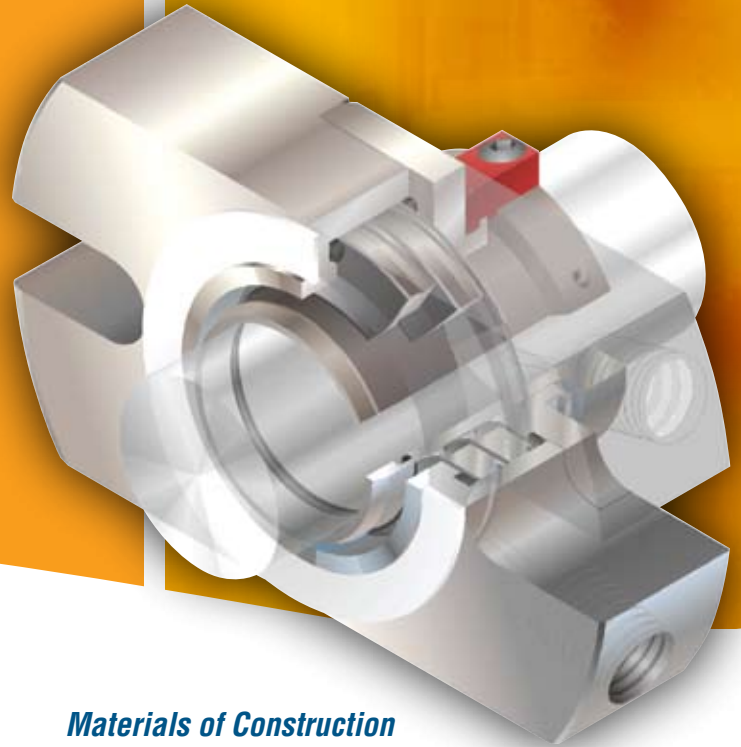


Cartridge multiple dynamic lip seal

A cartridge multiple dynamic lip seal design for highly viscous applications in positive displacement and progressive cavity pumps. Designed to run dry without the need for an external flush or lubricating barrier fluid which can contaminate or dilute the process media. Preset cartridge design speeds installation and reduces the chance for installation error.



Features and Benefits

- Preset cartridge helps to eliminate seal setting errors.
- Triple lip design effectively seals process from atmosphere.
- Lip material designed for long dry running operation.
- Design is interchangeable between standard and Universal bracket Viking¹ pumps with just a gasket change.
- Standard barrier ports for optional leak detection or for an external fluid barrier when solidifying or polymerizing products are pumped.
- Easy to repair in the field with optional repair kit.

¹ Viking Pump, Inc a Unit of IDEX Corporation

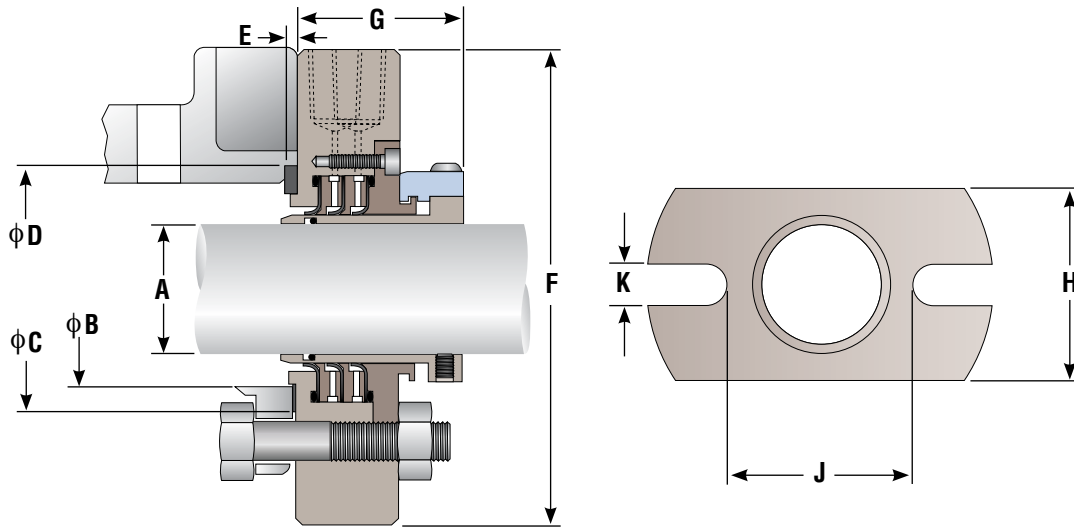
Materials of Construction

Metal Components	316 Stainless Steel
Rotor Sleeve Surface	Chrome Oxide
Dynamic Lips	Reinforced PTFE (standard) Food Grade (optional)
Gaskets	Fluoroelastomer, TFE-Propylene, Perfluoroelastomers, PTFE Encapsulated Fluoroelastomer

Operating Parameters

Pressure	up to 10 bar (145 psi)
Temperature	-53° to 149°C (-65° to 300°F)
Specific Gravity	0.45 and higher
Surface Speed	3.5 m/s dry (12 fps)
Shaft Sizes	400 to 60,000 SSU

(For higher viscosity, your Flowserve representative)



Dimensional Data in millimeters

A	B	C	D	E	F	G	H	J	K
Shaft & Seal Size									
0.750	34.93	41.28	41.28	1.600	76.20	43.43	41.28	44.20	7.950
1.125	50.80	63.50	63.50	1.600	101.6	46.99	57.15	61.93	12.70
1.375	53.98	71.12	71.12	1.600	132.0	48.77	73.15	69.85	12.70
1.437	55.27	71.12	68.25	3.175	132.0	46.02	73.15	69.85	12.70
1.500	57.15	88.90	88.90	0.787	111.1	43.94	n/a	98.43*	6.350*
1.625	60.33	69.98	69.98	1.600	120.7	54.10	76.20	69.85	12.70
1.875	70.05	81.08	81.08	1.600	149.2	52.43	108.0	81.79	11.13
2.125	79.38	95.25	95.25	1.600	165.1	53.64	101.6	139.7*	14.30*
2.250	82.55	95.25	95.25	1.600	133.4	53.59	n/a	108.0*	12.70*
2.437	76.20	103.4	113.8	3.175	170.2	52.07	112.8	122.8	17.48
2.500	76.20	103.4	113.8	3.175	170.2	52.07	112.8	122.8	17.48
2.953	111.99	124.5	124.5	6.350	169.9	58.42	136.5	150.1*	10.01*

in inches

B	C	D	E	F	G	H	J	K
1.375	1.625	1.625	0.063	3.000	1.710	1.625	1.740	0.313
2.000	2.500	2.500	0.063	4.000	1.850	2.250	2.438	0.500
2.125	2.800	2.800	0.063	5.200	1.920	2.880	2.750	0.500
2.176	2.800	2.687	0.125	5.200	1.812	2.880	2.750	0.500
2.250	3.500	3.500	0.031	4.375	1.730	n/a	3.875*	0.250*
2.375	2.755	2.755	0.063	4.750	2.130	3.000	2.750	0.500
2.758	3.192	3.192	0.063	5.875	2.064	4.250	3.220	0.438
3.125	3.750	3.750	0.063	6.500	2.112	4.000	5.500*	0.563*
3.250	3.750	3.750	0.063	5.250	2.110	n/a	4.250*	0.500*
3.000	4.070	4.480	0.125	6.700	2.050	4.440	4.835	0.688
3.000	4.070	4.480	0.125	6.700	2.050	4.440	4.835	0.688
4.409	4.900	4.900	0.250	6.688	2.300	5.375	5.906*	0.394*

*non-slotted gland ring

FSD117eng REV 10/11 Printed in USA

To find your local Flowserve representative
and find out more about Flowserve Corporation
visit www.flowserve.com

USA and Canada

Kalamazoo, Michigan USA
Telephone: 1 269 381 2650
Telefax: 1 269 382 8726

Europe, Middle East, Africa

Roosendaal, The Netherlands
Telephone: 31 165 581400
Telefax: 31 165 554590

Asia Pacific

Singapore
Telephone: 65 6544 6800
Telefax: 65 6214 0541

Latin America

Mexico City
Telephone: 52 55 5567 7170
Telefax: 52 55 5567 4224

Flowserve Corporation has established industry leadership in the design and manufacture of its products. When properly selected, this Flowserve product is designed to perform its intended function safely during its useful life. However, the purchaser or user of Flowserve products should be aware that Flowserve products might be used in numerous applications under a wide variety of industrial service conditions. Although Flowserve can provide general guidelines, it cannot provide specific data and warnings for all possible applications. The purchaser/user must therefore assume the ultimate responsibility for the proper sizing and selection, installation, operation, and maintenance of Flowserve products. The purchaser/user should read and understand the installation instructions included with the product, and train its employees and contractors in the safe use of Flowserve products in connection with the specific application.

While the information and specifications contained in this literature are believed to be accurate, they are supplied for informative purposes only and should not be considered certified or as a guarantee of satisfactory results by reliance thereon. Nothing contained herein is to be construed as a warranty or guarantee, express or implied, regarding any matter with respect to this product. Because Flowserve is continually improving and upgrading its product design, the specifications, dimensions and information contained herein are subject to change without notice. Should any question arise concerning these provisions, the purchaser/user should contact Flowserve Corporation at any one of its worldwide operations or offices.