



TMCBV
Trunnion-Mounted Control Ball Valve
for Pipeline Regulation



Experience In Motion

Introduction

The TMCBV is manufactured in Milan, Italy as a joint venture between Flowserve and Valbart known as Flowserve/Valbart Flow Control Srl. The TMCBV merges the robust, proven Valbart trunnion-guided pipeline valve design with advanced Flowserve technologies for characterized control and noise attenuation. We designed the TMCBV to be a more compact, less expensive choice in services in which it had been previously necessary to use a larger, more expensive valve style.

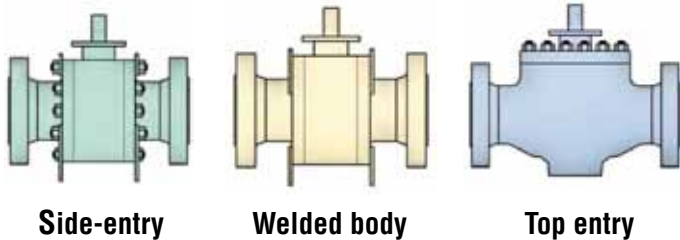
The TMCBV is designed to operate at high pressures while minimizing the torque needed to operate the valve. The seats are spring-preloaded and process energized for Class IV or Class V shutoff at any pressure. The TMCBV's capacity is greater than that of a comparable globe valve - allowing the customer to use a smaller TMCBV. The customer receives cascading savings from using a smaller, lighter valve. It requires a smaller, less expensive actuator and lighter, less expensive pipe supports. Delivery charges are reduced, and the smaller valve is easier to install in tight piping runs.

Rotary seals, precision machining, and accurate trunnion guiding, all contribute to zero external leakage, ensuring that the TMCBV meets all environmental standards.

Product Range

Application	ANSI Pressure Class	Size Range
Control ball valves for normal throttling	150 – 600	6" – 56"
	900 – 1500	6" – 48"
	2500	6" – 24"
Control ball valves for severe service	150 and above	6" – 48"

Body Styles



Side-entry

Welded body

Top entry

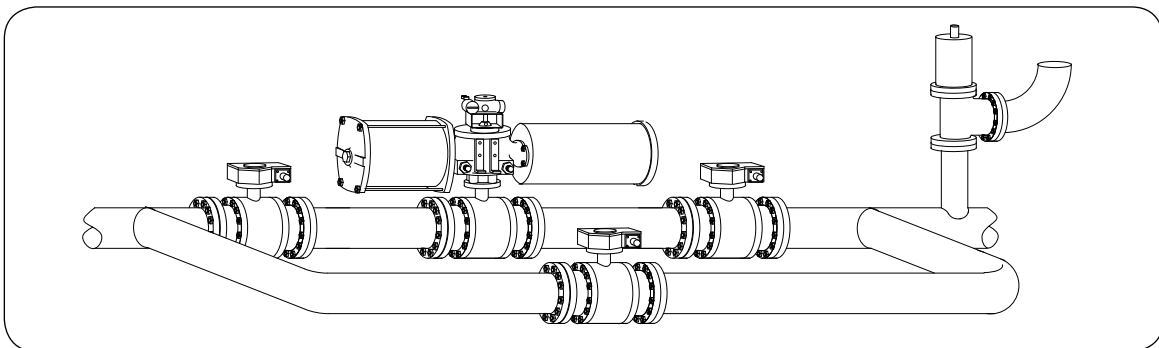
Difference in cost and weight

To achieve a Cv of 9,000 in a Class 300 valve body

	Line Size	Weight	Cost
Globe Valve	36"	23,148 lbs	\$200,000
TMCBV	24"	8,377 lbs	\$99,600

Materials

The TMCBV is offered in many alloys. Steels, Stainless, Duplex, Super Duplex or Nickel alloys are among the many available choices. Specify your material requirements in your inquiry.

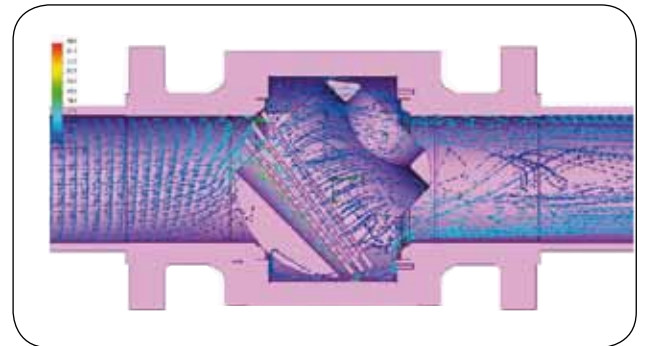


Pressure Regulation

Trims

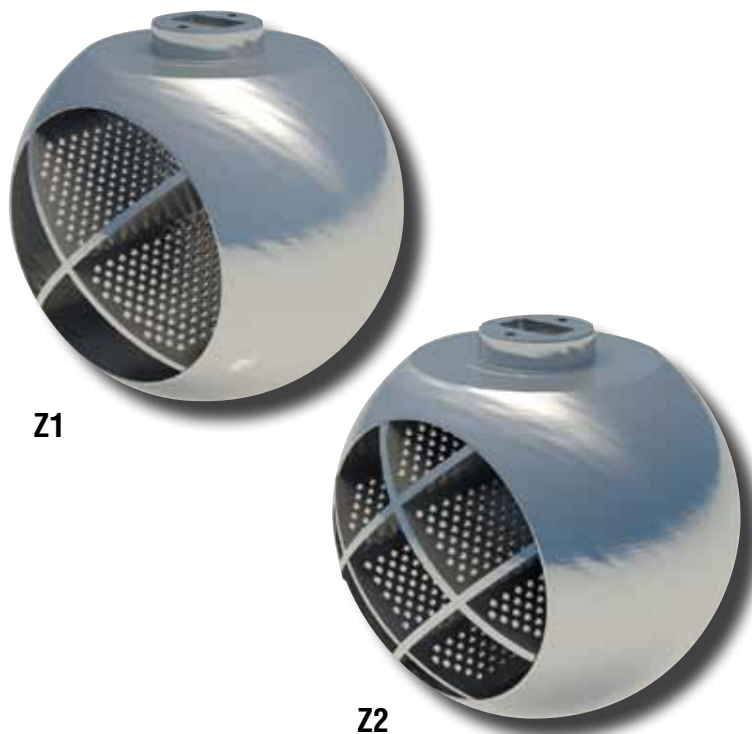
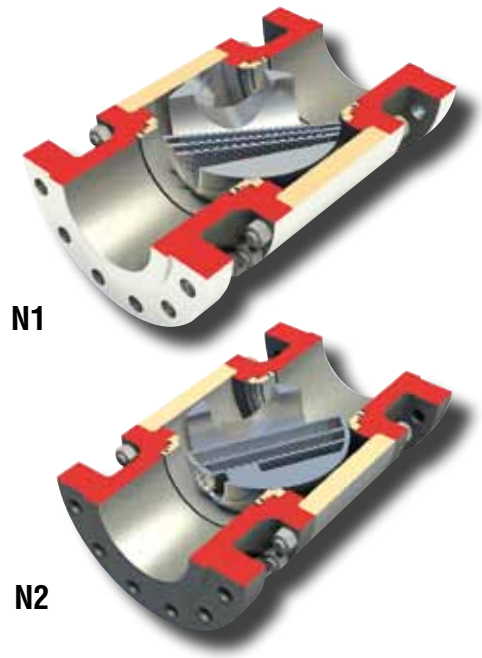
Flowserve has been the industry leader in noise attenuation technology for over 30 years. Now we have merged advanced Flowserve technologies with the robust, industry-leading, Valbart trunnion-mounted ball valve.

We offer trims based upon Valtek's proven globe-valve trim design principles. These trim designs are widely known for effectiveness and innovation. These concepts are further optimized and refined for rotary application through extensive CFD analysis and laboratory testing.



Noise-control trims are based on Valtek's Megastream technology.

The **N1** trim controls velocity as it stages the pressure drop across flat plates in the bore of the ball, progressively decreasing the resistance as the flow encounters fewer plates as the valve is opened. 10-20 dB attenuation can be expected. The **N2** trim is more advanced and uses multiple baffles to absorb pressure drops in steps and to acoustically prevent noise by wave-front cancellation as well as tuned resonance in high, less-audible frequencies. Attenuation of up to 30dB may be realized.

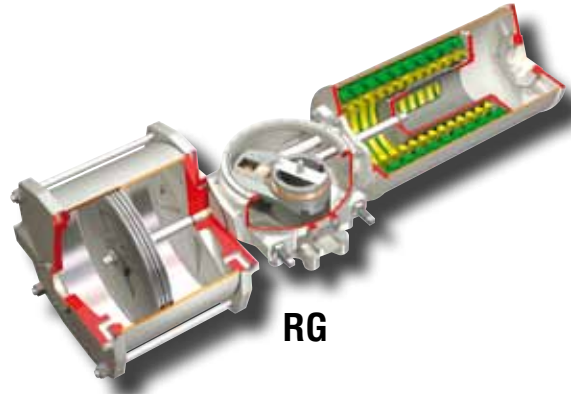


The **Z1** and **Z2** trims use angled plates to give a progressive, continuous characteristic while forcing the flow through multiple self-cleaning stages. Z-trims serve for cavitation control prevention and for noise attenuation up to 20dB.

The TMCBV system offers more trim choices than any other valve in the industry. Let us optimize your application with our technology.

Automation Systems

The Valbart TMCBV system includes unmatched Flowserve automation to meet your needs and your specifications. For pneumatic actuation, we use the RG Series scotch yoke actuator. When Electric actuation is required we offer the Flowserve Limatorque MX. Custom actuation is available to meet your specifications. All of these actuators will be supplied with the appropriate precision analog or digital Flowserve positioner. Flowserve Logix digital positioners are gas-compatible. A piped vent gives zero emission. Unlike "pilot" controllers, Logix positioners may use Flowserve's ValveSight® continuous monitoring system, and are capable of being commanded to perform safety or other control functions. All components are manufactured by Flowserve. All are selected to complement each other, and Flowserve provides single-source support.



RG



Limatorque



Logix 3000 series

FCD VLENBR0068-01 03/12 Printed in USA and France.

To find your local Flowserve representative:

For more information about Flowserve Corporation, visit www.flowserve.com.

Flowserve Valbart Flow Control Srl
20050 Mezzago (Milan) Italy
Phone: +39.039.624111
Fax: +39.039.6241178

Flowserve Valbart - Americas
14215 Westfair West
Houston, TX 77041 USA
Phone: +1.281.671.1025
Fax: +1.281.671.1609

www.flowserve.com

Flowserve Corporation has established industry leadership in the design and manufacture of its products. When properly selected, this Flowserve product is designed to perform its intended function safely during its useful life. However, the purchaser or user of Flowserve products should be aware that Flowserve products might be used in numerous applications under a wide variety of industrial service conditions. Although Flowserve can (and often does) provide general guidelines, it cannot provide specific data and warnings for all possible applications. The purchaser/user must therefore assume the ultimate responsibility for the proper sizing and selection, installation, operation, and maintenance of Flowserve products. The purchaser/user should read and understand the Installation Operation Maintenance (IOM) instructions included with the product, and train its employees and contractors in the safe use of Flowserve products in connection with the specific application.

While the information and specifications contained in this literature are believed to be accurate, they are supplied for informative purposes only and should not be considered certified or as a guarantee of satisfactory results by reliance thereon. Nothing contained herein is to be construed as a warranty or guarantee, express or implied, regarding any matter with respect to this product. Because Flowserve is continually improving and upgrading its product design, the specifications, dimensions and information contained herein are subject to change without notice. Should any question arise concerning these provisions, the purchaser/user should contact Flowserve Corporation at any one of its worldwide operations or offices.

© 2012 Flowserve Corporation, Irving, Texas, USA. Flowserve is a registered trademark of Flowserve Corporation.