



Kämmer® Series 132000 ***Corrosive Application Valves***



Experience In Motion



The new series 132000 control valve completes the range of lined valves within the FLOWSERVE corporation. Many years of experience in the manufacture of lined ball and plug valves and the sophisticated experience of manufacturing excellent reproducible trims for linear valves are combined in this new product.

High quality lining materials such as PFA (standard), PVDF, PP, ETFE and FEP as well as PFA antistatic, cover most mediums and applications. The revolutionary PTFE bellows design allows a standard pressure rating of PN16. The increased flow capacity means that the most economical valve can be chosen for the application.



Standard Features and Benefits

- Anti-blowout stem design
- T-groove liner connection
- PN16 modified PTFE bellows seal, as standard configuration
- Guided stem
- Metal to metal body/bonnet connection for defined compression of the gasket
- Liner thickness 3.5 mm for valve sizes up to DN 20 / ¾" and at least 5 mm for all sizes above
- Threaded plug and seat interchangeable with other plug and seat sizes
- DIN / ANSI bodies and connections

Optional:

- Hastelloy C-276 plug and seat inserts for small K_{VS} / C_{VS} -values
- Test connection NPT ¼"



Lining Materials

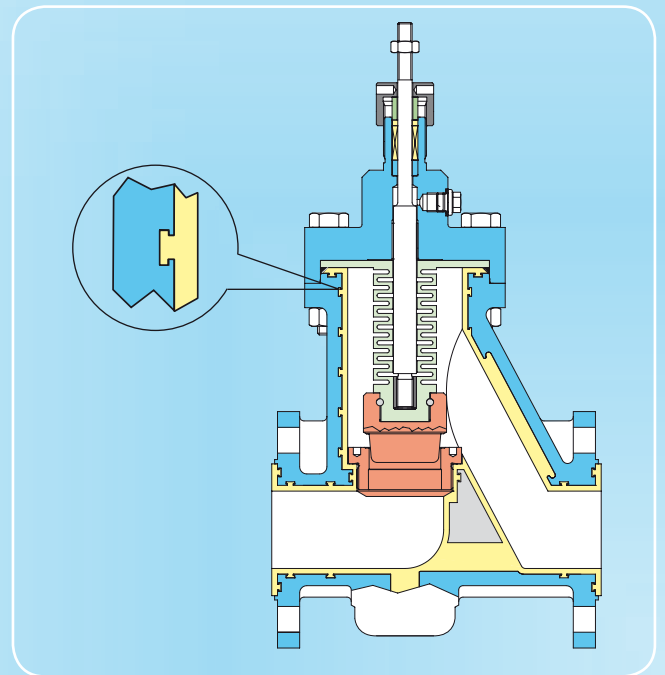
The liner material, the seat and the bellows seal are the only parts which are in contact with the medium. High quality lining materials such as PFA, (Perfluoroalkoxy resin) protect the metal parts of the valve assembly.

T-grooves provide an extremely robust connection between the liner and the valve metal body, especially important in vacuum applications. The liner thickness is 3.5 mm for valve sizes up to DN 20 / ¾" and 5 mm for all sizes above.

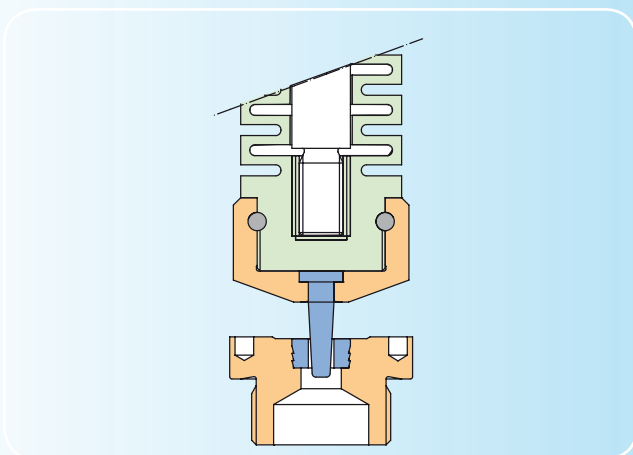
Liner materials are available in most common combinations. PFA, FEP, PP, PVDF ETFE or antistatic PFA cover most application requirements.

Trim Design

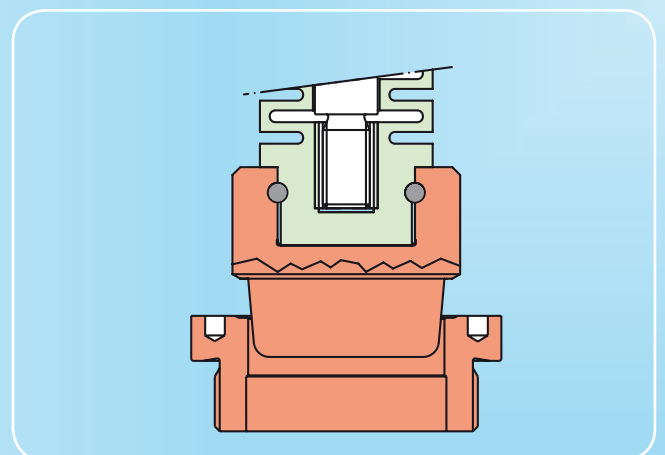
Threaded plug and seat design for easy replacement and maintenance. Excellent reproduceable trims and C_v -values based on long term experience even for small and very small C_v -values.



T-Groove Liner Connection



Hastelloy Plug and Seat Inserts



PTFE Plug and Seat



Germany
Flowserve Essen GmbH
Schederhofstr. 71
45145 Essen
Deutschland
Tel.: +49 (0)201 8919 5
Fax: +49 (0)201 8919 662

USA
Flowserve Corporation
1300 Parkway View Drive
Pittsburgh, PA 15205
USA
Tel.: +1 412 787 8803
Fax: +1 412 787 1944

Singapore
Flowserve Pte Ltd
12 Tuas Avenue 20
Singapore, 638824
Singapore
Tel.: +65 6879 8989
Fax: +65 6862 4940

Your Contact:



KMEEBR3221-02 01/12

All data subject to change without notice.

©03.2006 Flowserve Corporation. Flowserve and Kämmer are trademarks of the Flowserve Corporation.