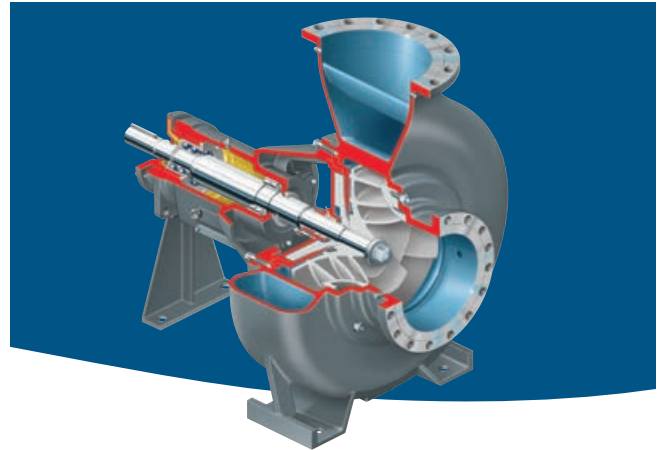




FRBH Pump Quick Ship Program

Quickness Without Compromise

To meet the demands of its customers, Flowserve now offers (6) six-week shipment on select FRBH pumps.



The (6) six-week program includes bare pump packages comprised of either:

- Cast Iron Casing
- Cast Iron Impeller
- 1045 Steel Pump Shaft
- CBS Stuffing Box Configuration With Packing

Or:

- CD4 Casing
- CD4 Impeller
- 1045 Steel Pump Shaft
- CBS Stuffing Box Configuration With Packing

Program Details

- Hydraulic selection—Refer to Affinity™*
- Pricing—Refer to Affinity
- Terms
 - Flowserve global standard terms and conditions
 - Warranty: 12 months from start-up or 18 months from shipment, whichever occurs first
 - Net 30 days payment

Pump Documentation

- No customer approvals allowed
- Data package consists of:
 - Final Affinity general arrangement drawing
 - Affinity performance curve
 - Pump data sheet
 - User instruction manual

Available Sizes

- 3FRBH141
- 4FRBH141
- 6FRBH111
- 10FRBH182
- 6FRBH142
- 8FRBH152
- 8FRBH182
- 3FRBH182
- 4FRBH182
- 14FRBH183
- 16FRBH183
- 8FRBH223

Additional sizes and materials of construction are available within Affinity at published lead times.

*Affinity is the Flowserve Web-based pump selection tool. Affinity provides real-time access to the latest, most accurate data about Flowserve pumps.

PSS-10-16.1 (E) April 2014.
© 2014 Flowserve Corporation

To find your local Flowserve representative or for more information about Flowserve Corporation, visit www.flowserve.com or call +1 937 890 5839.

USA and Canada

Flowserve Corporation
5215 North O'Connor Blvd.
Suite 2300
Irving, Texas 75039-5421 USA
Telephone: +1 937 890 5839

Latin America

Flowserve Corporation
Martín Rodríguez 4460
B1644CGN-Victoria-San Fernando
Buenos Aires, Argentina
Telephone: +54 11 4006 8700
Telefax: +54 11 4714 1610

Europe, Middle East, Africa

Flowserve Corporation
Parallelweg 13
4878 AH Etten-Leur
The Netherlands
Telephone: +31 76 502 8100

Asia Pacific

Flowserve Pte. Ltd.
10 Tuas Loop
Singapore 637345
Telephone: +65 6771 0600
Telefax: +65 6862 2329