



Rebowl Services Upgrades for Vertical Turbine Pumps



Experience In Motion

Rebowl Services
Upgrades for Vertical
Turbine Pumps

Boost Pump Performance
and Reduce Operating Costs

After years of continuous, heavy-duty service, the performance and operation of vertical turbine pumps can decline. Often indicated by excessive vibration, cavitation and loss of head, pump fatigue is a costly condition resulting in increased power consumption and maintenance costs.

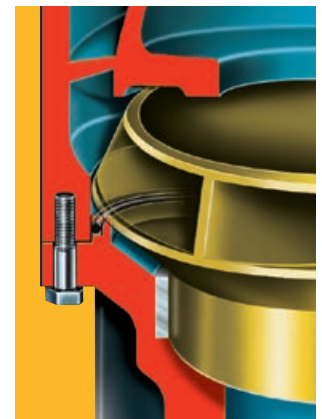
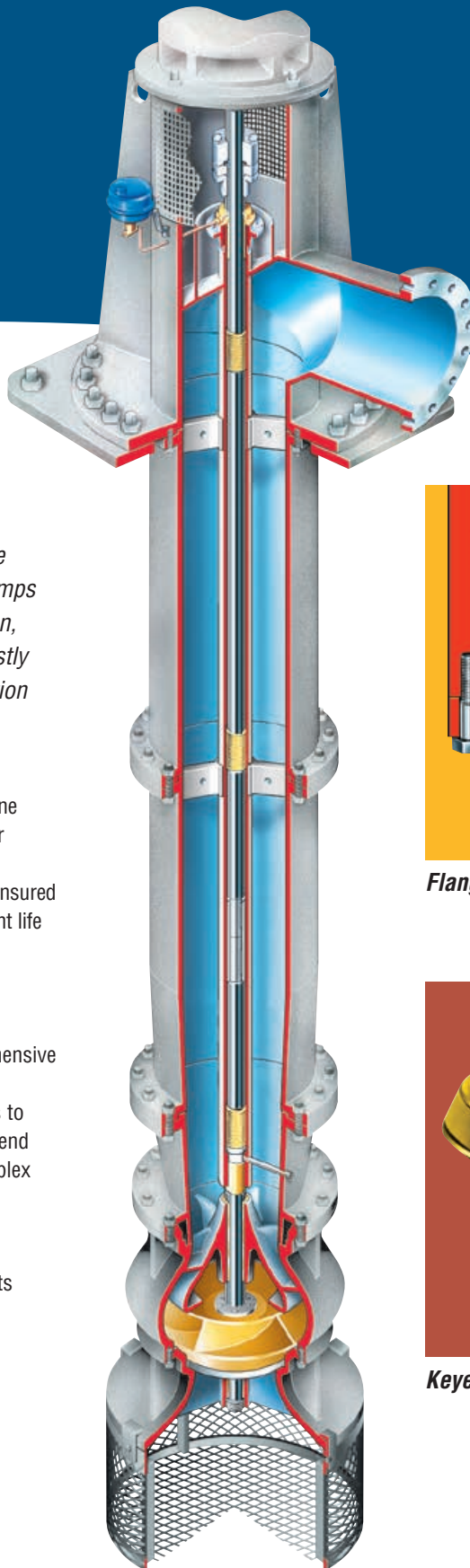
Flowserve has developed an extensive rebowl services program that revitalizes the performance of vertical turbine pumps and reduces total pump operating costs. Whether restoring an aged pump or accommodating a change in operating conditions (capacity or head), customers are ensured high quality upgrades that focus on prolonging equipment life and improving safety.

Rebowl Specialists

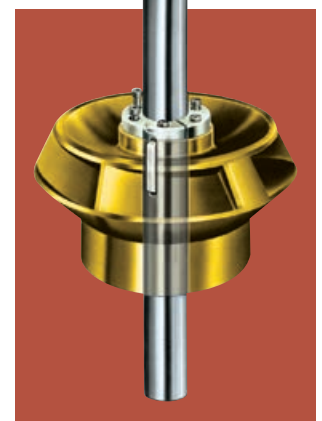
As a manufacturer of one of the world's most comprehensive lines of vertical turbine, mixed and axial flow pumps, Flowserve has the engineering expertise and resources to diagnose existing and potential problems and recommend appropriate corrective services for even the most complex of vertical pumps.

Rebowl services include:

- Complete up-front inspection of all pump components
- Refurbishment of deteriorated components
- Upgraded replacement components
- Materials upgrades
- Warranty of both service and parts
- On-site installation service available

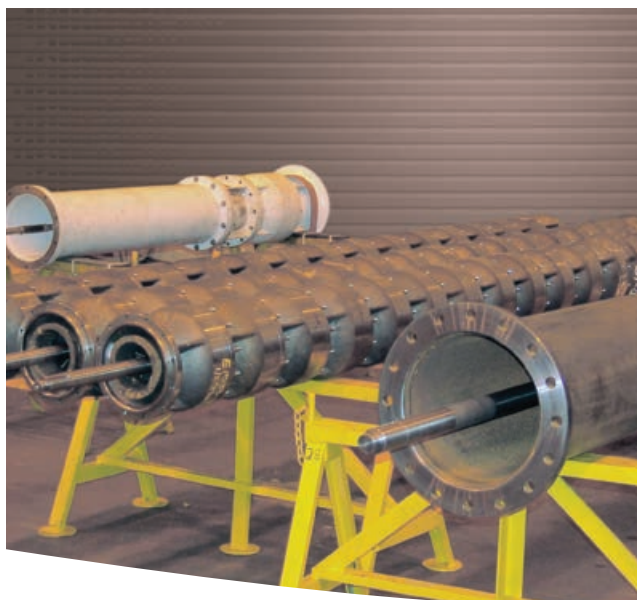


Flanged bowl with O-ring



Keyed impeller

Flowserve re bowl services are available for any vertical turbine pump, regardless of model, age, service or manufacturer.



Rebowl and Upgrade Options

- Reuse existing discharge head and column pipe
- Convert from open to enclosed lineshaft
- Convert from packed box to mechanical seal
- Upgrade materials
- Enclosed, open or semi-open impellers, keyed or collet mounted
- Open or enclosed lineshaft construction
- Product, oil or water injection bearing lubrication
- Flanged or threaded column pipe
- Bowl and enclosed impeller wear rings
- Cast iron or fabricated steel discharge head
- Above or below ground discharge
- Multiple drivers
 - Electric motors
 - Engines with right angle gears
 - Steam turbines
- Motor steady bushings for a two-piece headshaft

Bottom-line Benefits

Flowserve rebowl services provide the following significant benefits to vertical turbine pumps:

- Improved pump performance
- Reduced power consumption
- Increased reliability
- Reduced maintenance costs
- Increased uptime

Service for All Makes and Models

Flowserve rebowl services are available for any vertical turbine pump, regardless of model, age, service or manufacturer.

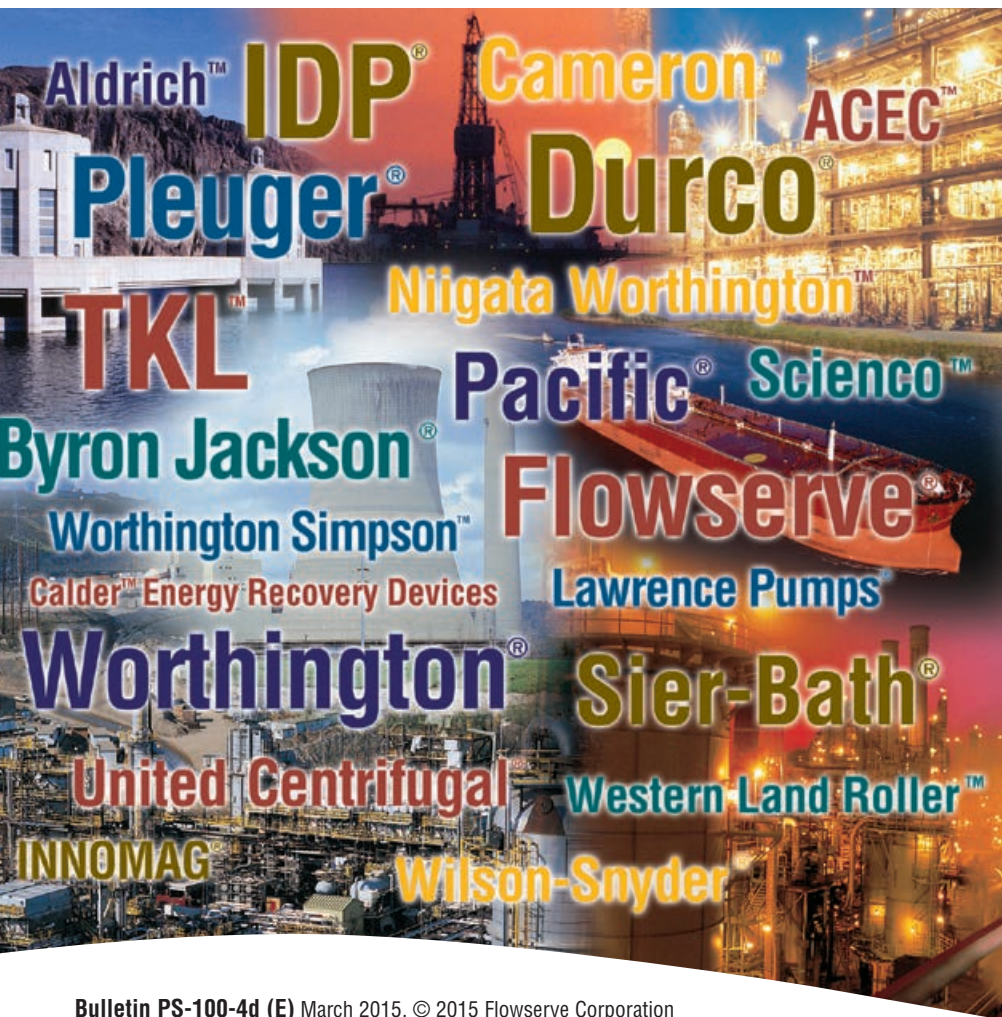


For Rebowl Services, Call Flowserve

Flowserve rebowl technicians are committed to getting pumps back in service in the shortest possible time. To schedule service, please call +1 937 890 5839.

Flowserve has a global network of service centers to ensure upgrades are performed expertly and quickly.

Twenty-four hour service is available for emergency repairs.



Bulletin PS-100-4d (E) March 2015. © 2015 Flowserve Corporation

To find your local Flowserve representative:

For more information about Flowserve Corporation,
visit www.flowserve.com or call +1 937 890 5839.

USA and Canada

Flowserve Corporation
5215 North O'Connor Blvd.
Suite 2300
Irving, Texas 75039-5421 USA
Telephone: +1 937 890 5839

Europe, Middle East, Africa

Flowserve Corporation
Parallelweg 13
4878 AH Etten-Leur
The Netherlands
Telephone: +31 76 502 8100

Latin America

Flowserve Corporation
Martín Rodríguez 4460
B1644CGN-Victoria-San Fernando
Buenos Aires, Argentina
Telephone: +54 11 4006 8700
Telefax: +54 11 4714 1610

Asia Pacific

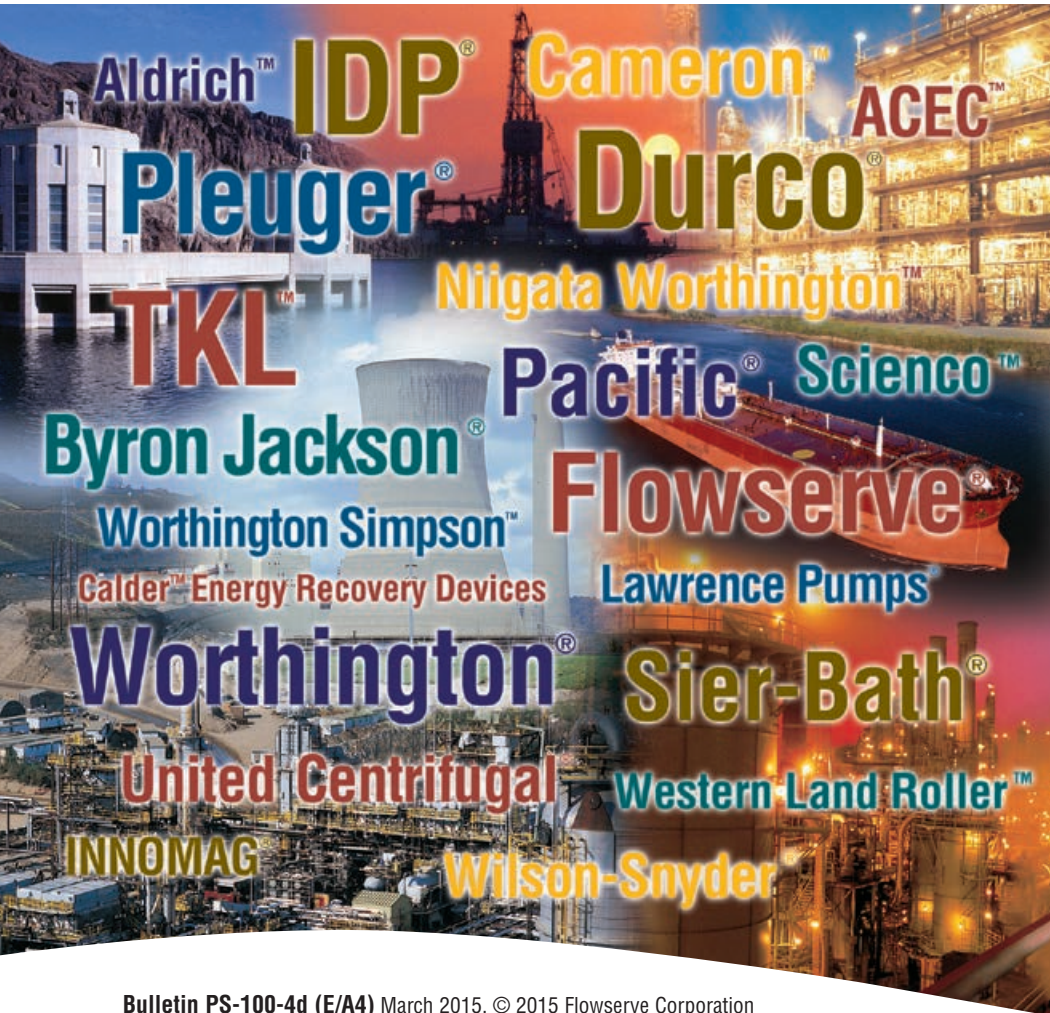
Flowserve Pte. Ltd.
10 Tuas Loop
Singapore 637345
Telephone: +65 6771 0600
Telefax: +65 6862 2329



Rebowl Services Upgrades for Vertical Turbine Pumps



Experience In Motion



USA and Canada

Flowserve Corporation
5215 North O'Connor Blvd.
Suite 2300
Irving, Texas 75039-5421 USA
Telephone: +1 937 890 5839

Europe, Middle East, Africa

Flowserve Corporation
Parallelweg 13
4878 AH Etten-Leur
The Netherlands
Telephone: +31 76 502 8100

Latin America

Flowserve Corporation
Martín Rodríguez 4460
B1644CGN-Victoria-San Fernando
Buenos Aires, Argentina
Telephone: +54 11 4006 8700
Telefax: +54 11 4714 1610

Asia Pacific

Flowserve Pte. Ltd.
10 Tuas Loop
Singapore 637345
Telephone: +65 6771 0600
Telefax: +65 6862 2329

Bulletin PS-100-4d (E/A4) March 2015. © 2015 Flowserve Corporation

To find your local Flowserve representative:

For more information about Flowserve Corporation,
visit www.flowserve.com or call +1 937 890 5839.