



***FRBH***  
***Worthington®***  
***Heavy-Duty***  
***Paper Stock and***  
***Process Pump***



## Pump Supplier To The World

*Flowserve is the driving force in the global industrial pump marketplace. No other pump company in the world has the depth or breadth of expertise in the successful application of pre-engineered, engineered, and special purpose pumps and systems.*

### Pumping Solutions

Flowserve is providing pumping solutions that permit customers to continuously improve productivity, profitability and pumping system reliability.

### Market-Focused Customer Support

Product and industry specialists develop effective proposals and solutions directed toward market and customer preferences. They offer technical advice and assistance throughout each stage of the product life cycle, beginning with the inquiry.



### Dynamic Technologies

Flowserve is without peer in the development and application of pump technology, including:

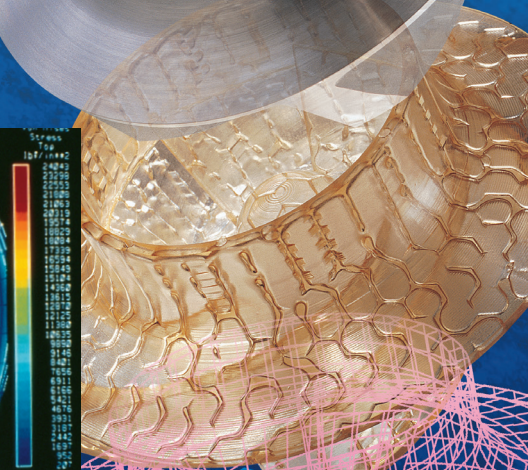
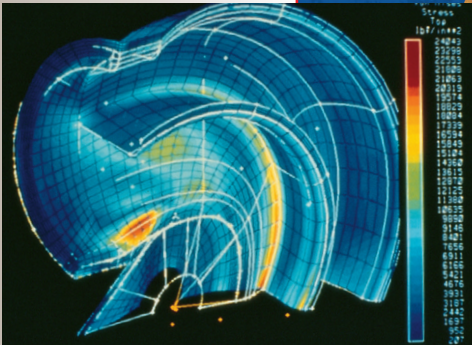
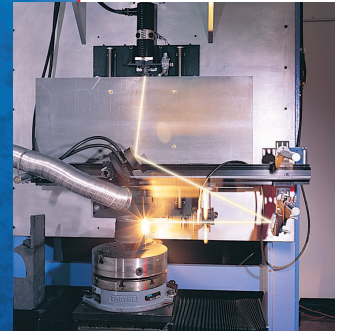
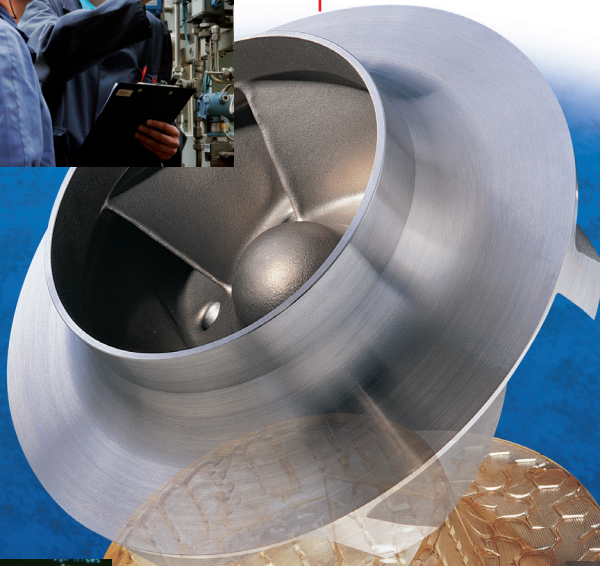
- Hydraulic engineering
- Mechanical design
- Materials science
- Intelligent pumping
- Manufacturing technology

### Broad Product Lines

Flowserve offers a wide range of complementary pump types, from pre-engineered process pumps, to highly engineered and special purpose pumps and systems. Pumps are built to recognized global standards and customer specifications.

Pump designs include:

- Single-stage process
- Between bearing single-stage
- Between bearing multistage
- Vertical
- Submersible motor
- Positive displacement
- Nuclear
- Specialty





**FRBH**  
**Worthington®**  
**Heavy-Duty**  
**Paper Stock and**  
**Process Pump**

**A World Leader in Efficiency and Reliability**

The Flowserve FRBH is one of the world's most efficient and reliable family of pumps—one that will perform effectively not only at the traditional best efficiency point but across a broad operating range. The high efficiency of the FRBH translates into reduced energy costs, an increasingly important factor as electric power becomes more costly.

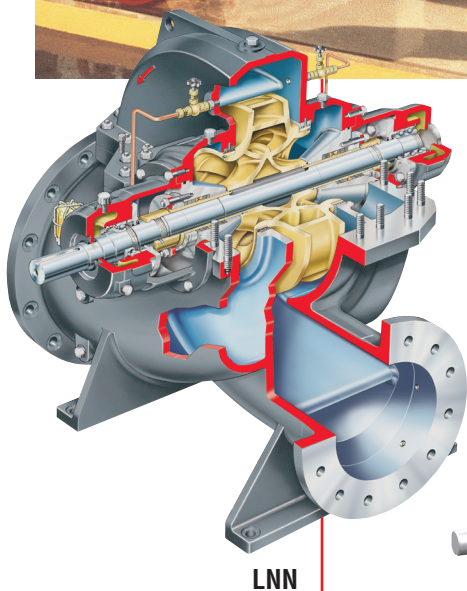
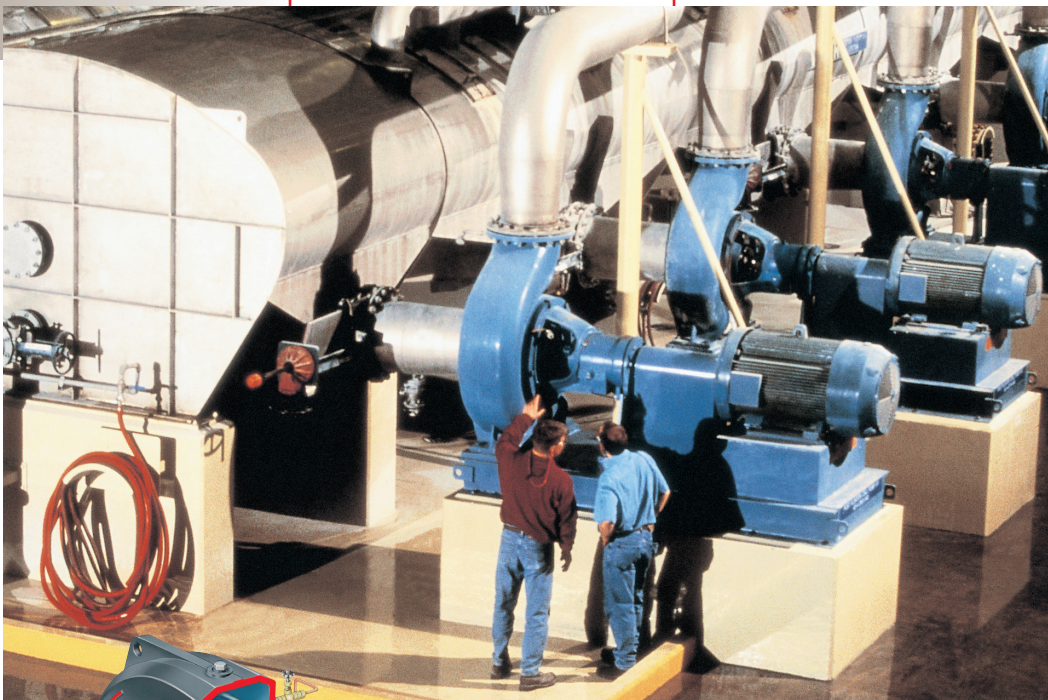
The FRBH is capable of handling all types of stock up to 6% air dry consistency. Its unobstructed suction and large streamlined flow channel prevent clogging and air binding. Furthermore, the FRBH's steep head-capacity characteristic prevents driver overload and minimizes changes in flow, despite changes in system head.

**Typical Applications**

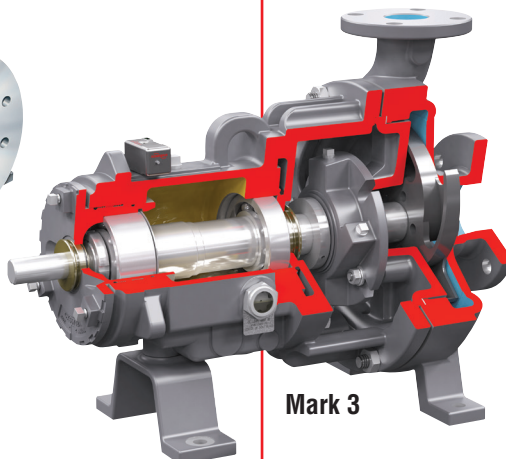
- Pulp and paper
  - Cellulose fiber slurries
  - Evaporators
  - Concentrator
  - Flash tanks
  - Condensate
  - Waste stock
  - Flotation cells
  - Black liquor
  - Shower
- Wet corn milling
- Light slurries
- Scrubber water
- Reverse osmosis
- Electrolyte
- Raffinate
- Deionized water
- Brine service
- Irrigation

**Complementary Pump Designs**

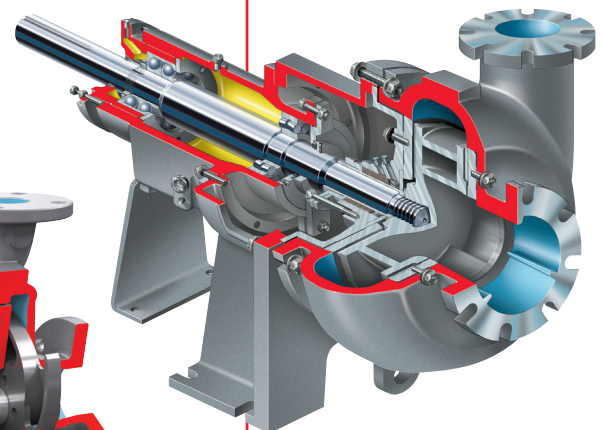
- Mark 3 ASME (ANSI) chemical process pump
- CPX ISO chemical process pump
- Type M hard metal abrasive slurry pump
- ERPN process pump
- LNN horizontal split case pump
- LR horizontal split case pump
- WDX multistage, segmental ring pump



**LNN**



**Mark 3**



**Type M**



**FRBH**  
**Worthington®**  
**Heavy-Duty**  
**Paper Stock and**  
**Process Pump**

Because a stock pump must operate 24 hours a day, seven days a week, Flowserve designed the FRBH for maximum reliability and efficiency in demanding applications. The rugged construction and efficient operation of the FRBH result in reduced operating costs.

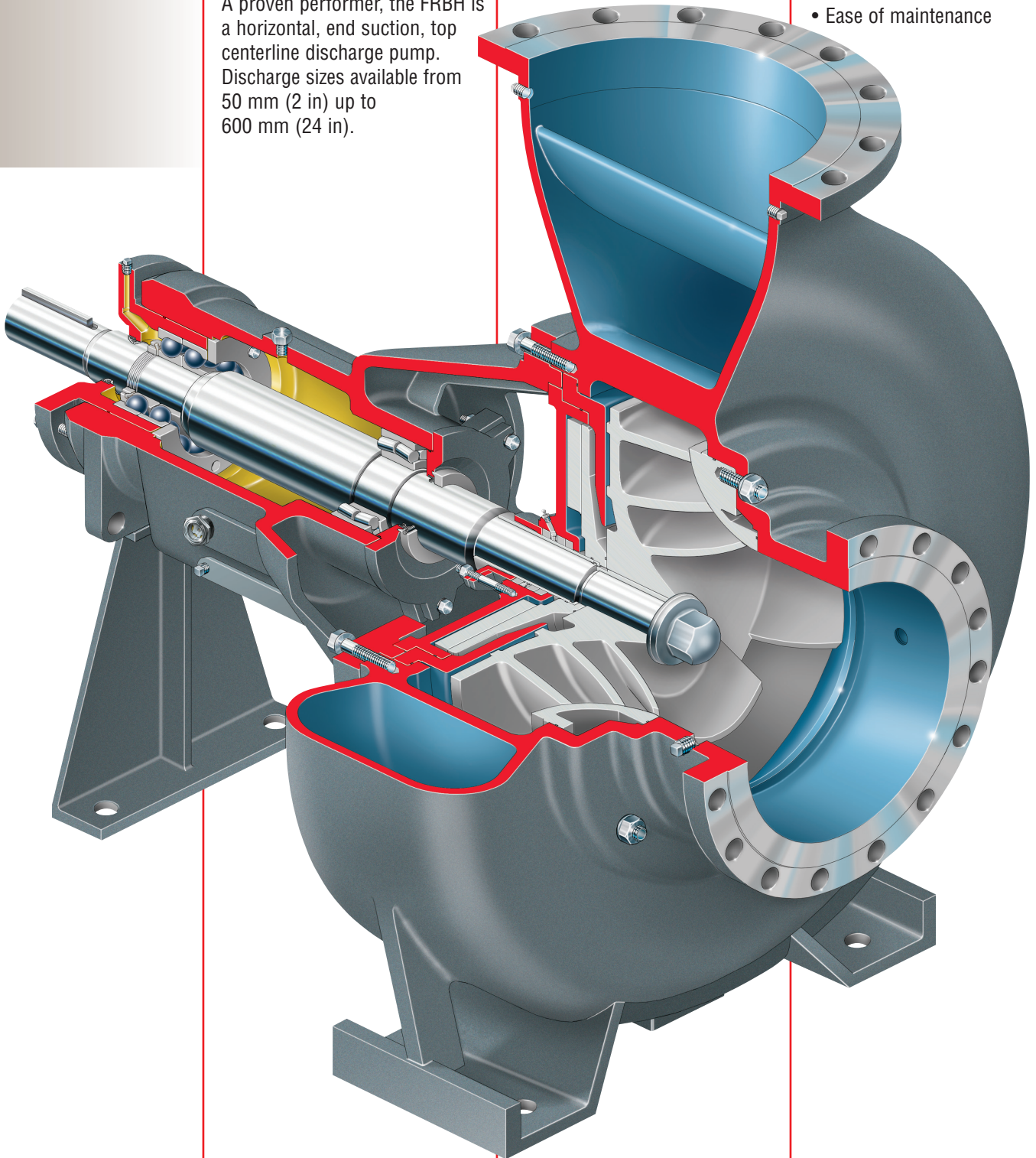
A proven performer, the FRBH is a horizontal, end suction, top centerline discharge pump. Discharge sizes available from 50 mm (2 in) up to 600 mm (24 in).

**Operating Parameters**

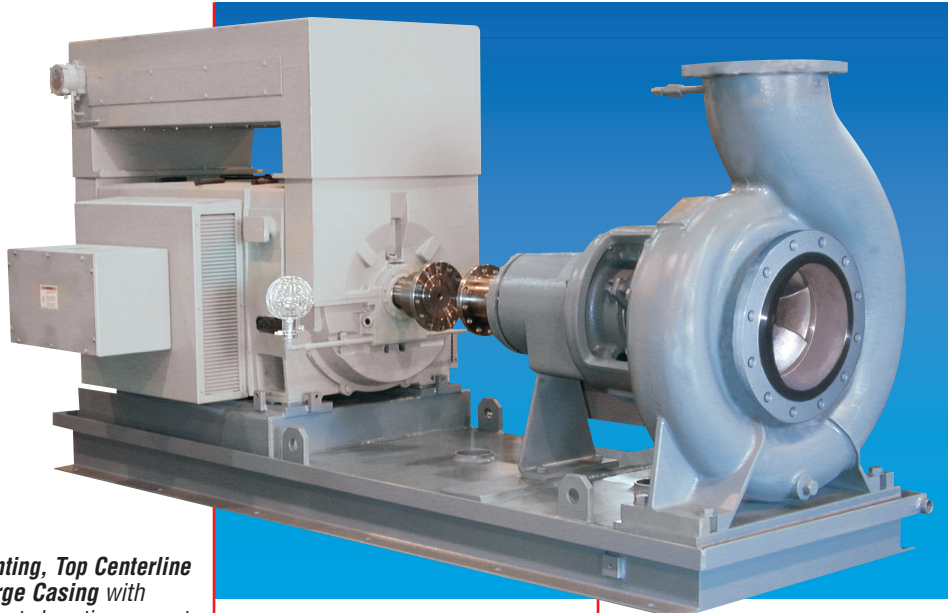
- Flows to 9085 m<sup>3</sup>/h (40 000 gpm)
- Heads to 100 m (330 ft)
- Pressures to 14 bar (200 psi)
- Temperatures to 150°C (300°F)

**Benefits of the FRBH**

- Resistance to clogging in thick, pulpy mixtures
- Prevention of stock separation or dewatering
- Dependable bearing assembly
- Robust rotating element
- Corrosion and erosion resistance
- Ease of maintenance







**Self-venting, Top Centerline Discharge Casing** with unobstructed suction prevents trapped air to maintain efficiency and flow.

**Keyed Semi-open, Full Vane Impeller** prevents clogging in thick, pulpy applications and is less sensitive to end clearance adjustment. Recessed impeller available for low-shear applications.

**Back Pump-out Vanes** increase axial balance and reduce seal chamber pressure, prolonging seal life.

**Three-point, End-clearance Adjustment** resets impeller clearance to restore performance and efficiency.

**Extra Heavy-duty, Alloy Steel Shaft** minimizes problems associated with overhang, deflection and vibration. Stainless steel available.

**Contoured Wearplate** at the impeller suction side protects casing and prolongs pump efficiency.

**Suction and Discharge Flanges** conform to ASME B16.5 Classes 125 and 150.

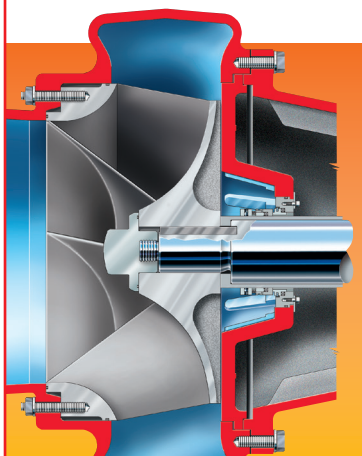
**“Dry-shaft” Construction**, using sealed impeller nut and key-driven stainless steel hook sleeve, eliminates shaft corrosion.

### Mechanical Seals

The FRBH accepts single, double, tandem and split mechanical seals. Cartridge seals can be mounted over the standard pump sleeve or directly to the pump shaft.

**Seal Housing** design eliminates cavities and erosion areas.

- Sized for five rings of packing with multiple lantern ring positions
- Removable fully split and interlocking packing glands



**Optional Large Conical Seal Housing** allows the seal to be installed in the liquid directly behind the impeller, eliminating the need for a separate seal water flushing source.

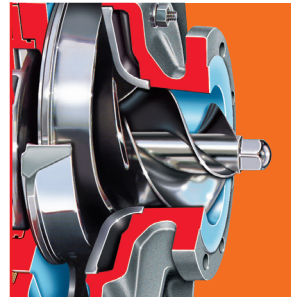
### Rigid One-piece Bearing Frame

ensures positive alignment and provides ample access to gland and seal chamber.

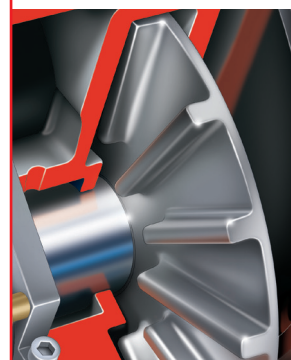
- Back pull-out configuration
- Oil or grease lubrication
- Spacious sump provides substantial oil reservoir
- Maximum surface area to facilitate heat dissipation
- Easy-to-read oil sight gauge
- Four rotating assemblies permit maximum interchangeability
- Labyrinth seals may be used to isolate bearings from contaminants

### Heavy-duty Bearings

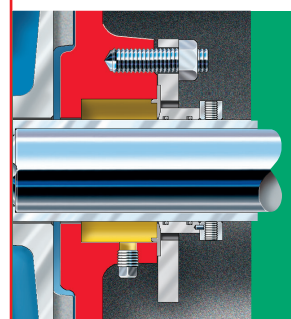
- Permanently aligned outboard double row bearings take thrust in either direction
- Single row deep-groove or double row spherical radial bearings
- Standard double lip seals



**Optional Flow Inducer** significantly improves suction performance by reducing pump NPSHR.



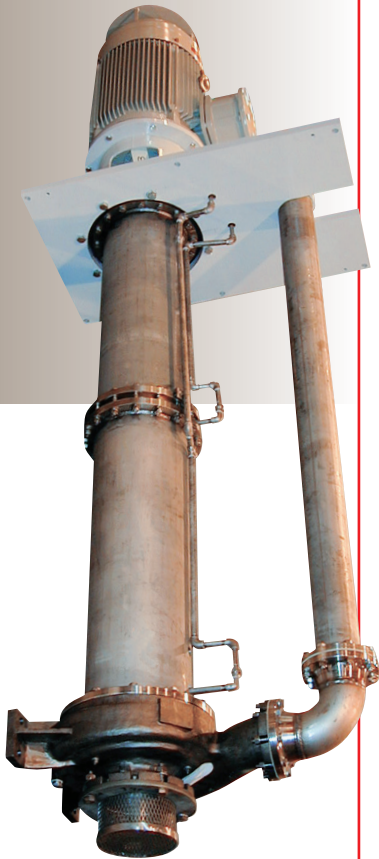
**Optional Expeller** forces fluid from the seal chamber, minimizing shaft wear. Positioned behind the impeller, the expeller eliminates the need for costly flush water and the resulting product dilution.



**Optional FXP Seal** may be used with expeller, instead of packing. At shutdown, process fluid forces elastomeric diaphragm closed, creating a static seal.



## Options and Technical Data



### FRBHJC Vertical Sump Pump

Using the FRBH liquid end, Flowserve engineers developed the FRBHJC to handle corrosive liquids and thick, pulpy mixtures. Designed for long, trouble-free, low-cost operation, the energy-efficient FRBHJC is a true stiff-shaft cantilever design, without bottom bearing or flushing water.

### FRBHJ Submerged Bearing Design

is cast iron, or stainless steel, fitted with a rubber or urethane fluted bearing in a rigid stainless steel shell. Lubrication is from an external, clear liquid source.

**FRBHJ Drivers** may be direct coupled or V-belt for greater flexibility.

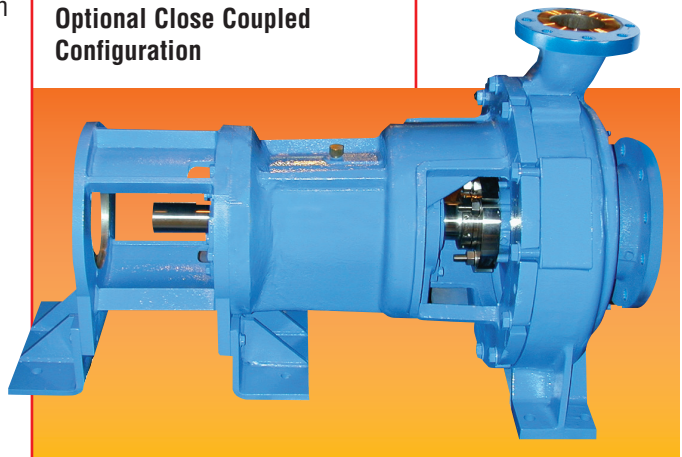
### FRBH Options

- Recessed impeller
- Oil cooler
- Seal flush systems
- Vibration monitors
- Spring-mounted baseplates

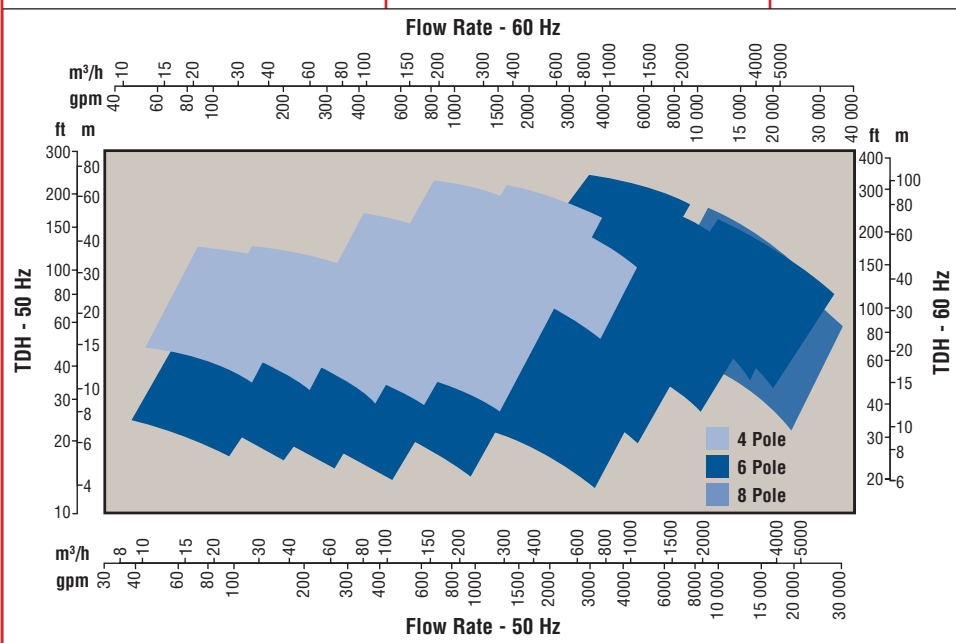
### Standard Materials of Construction

Component	Materials Classes							
	Cast Iron	CISSF	316	316L	317L	CD4MCu	CA6NM	Worhtite™
Casing, Stuffing Box Head, Wearplate	Cast Iron		316	316L	317L	CD4MCu	CA6NM	Worhtite
Impeller	Cast Iron	316		316L	317L	CD4MCu	CA6NM	Worhtite
Shaft	1045 Steel					316	Steel	316
Gland Set	316			Alloy 20			317L	Alloy 20
Seal Cage Set	317L			Alloy 20			317L	Alloy 20
Stuffing Box Bushing	316			317L	Alloy 20	317L	Alloy 20	
Bearing Frame	Cast Iron							
Thrust Bearing Housing	Cast Iron							

### Optional Close Coupled Configuration



### FRBH Range Chart





**Global Engineered Services and Support**

- Total Cost Reduction*
- Asset Management*
- Product Life Cycle*
- Performance Re-rates*
- Site Diagnostics*
- Repair Services*
- Energy Management*
- Spare Parts*
- Maintenance Contracts*
- Materials Upgrades*
- Turnkey Services*
- Field Repairs*
- Installation*
- Project Supervision*
- Commissioning*
- Equipment Upgrades*
- Condition Monitoring*
- Systems Analysis*
- Field Machining*

**Service Dedication**

Flowserve Engineered Services is focused on providing customers with uncompromising service and support, where and when needed. Dedicated to delivering the highest quality support, Engineered Services integrates its extensive pump and materials engineering knowledge with creative service solutions. Engineered Services fully understands the business challenges facing customers and is prepared to manage solutions to succeed as a team.

A worldwide network of service and repair centers staffed by highly skilled engineers and technicians is available around the clock, seven days a week to respond to customer queries, evaluate and troubleshoot problems and provide reliable solutions.



**Strength of Experience, Commitment to Excellence**

Flowserve has long served industries requiring superior equipment performance and service life.

- Oil and gas production
- Hydrocarbon processing
- Chemical processing
- Water resources
- Power generation
- Nuclear
- Mining and mineral processing
- Pulp and paper
- General industry

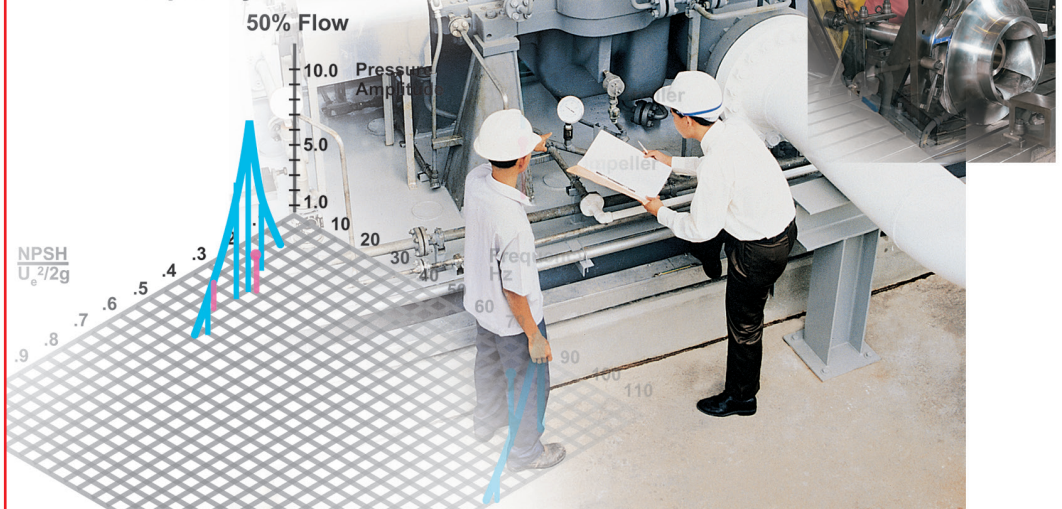
Engineered Services is dedicated to maximizing equipment performance and providing reliability-centered maintenance programs for pumps and related equipment, regardless of manufacturer. Using the FlowStar™ asset management software, Engineered Services tracks performance and supports improvement programs using a service life cycle cost business approach. The results are improved reliability and increased profitability.

**Business Partner**

Flowserve partners with customers to respond to the dynamic business conditions that affect them. Flowserve will work with customers to drive efficiency, maximize throughput and control process quality. Whether user needs involve on-site technical assistance or broader project planning with full turnkey responsibility, Flowserve Engineered Services will deliver professional, reliable results.



**Low Frequency Pressure Pulsations**





**FlowsERVE... Supporting Our Customers  
With The World's Leading  
Pump Brands**



**USA and Canada**

FlowsERVE Corporation  
5215 North O'Connor Blvd.  
Suite 2300  
Irving, Texas 75039-5421 USA  
Telephone: +1 937 890 5839

**Europe, Middle East, Africa**

FlowsERVE Corporation  
Parallelweg 13  
4878 AH Etten-Leur  
The Netherlands  
Telephone: +31 76 502 8100



*Your local FlowsERVE representative:*

**To find your local FlowsERVE representative,  
please use the Sales Support Locator System  
found at [www.flowsERVE.com](http://www.flowsERVE.com)  
or call: +1 937 890 5839.**

**Latin America**

FlowsERVE Corporation  
Martín Rodríguez 4460  
B1644CGN-Victoria-San Fernando  
Buenos Aires, Argentina  
Telephone: +54 11 4006 8700  
Telefax: +54 11 4714 1610

**Asia Pacific**

FlowsERVE Pte. Ltd.  
10 Tuas Loop  
Singapore 637345  
Telephone: +65 6771 0600  
Telefax: +65 6862 2329