

# Limitorque SR Series

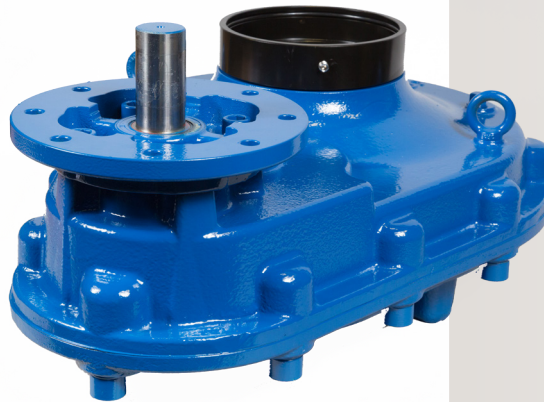
## Spur Gearboxes

The SR series spur gearboxes offer an extensive range of thrust and torque outputs for multi-turn applications such as gate and globe valves, and slide gates. Applications for weatherproof or temporary submersion (IP67) service can be accommodated. For manual operation, spur gear attachments are available to reduce the input torque required, resulting in lower handwheel rim pull for opening and closing operations.

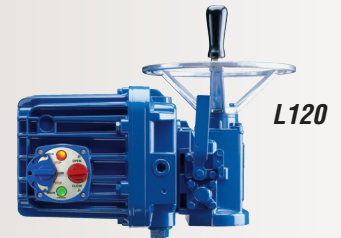
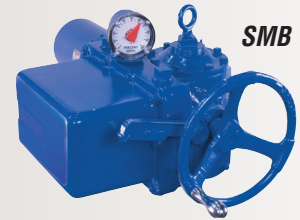
The SR series ductile iron housing provides strength and durability. The drive sleeve, spur pinion shaft, and spur gear reduction shafts are roller bearing-supported, delivering high mechanical advantage and long life. Excellent sealing of mating surfaces provides reliable environmental protection. Ambient temperatures to -35°C are achieved with the standard lubricant.

### Features and Benefits

- Weatherproof and temporary submersion construction (IP67)
- Maintenance-free
- Input flanges machined in accordance with MSS SP-102, with keyed input shaft
- Mounting bases machined to MSS and ISO standards
- Splined, bronze alloy stem nut is removable from the drive sleeve for thread machining
- High strength spur pinion and ring gear
- Roller bearing supported for high mechanical advantage
- Ductile iron enclosure
- SR\_H series for high thrust and torque applications
- Output thrust to 1 056 600 lbs (4700 kN)
- Output torque to 27 290 ft-lbs (37 000 Nm)
- -35°C to 90°C (-31°F to 194°F) temperature range for continuous operation (options to -50°C)

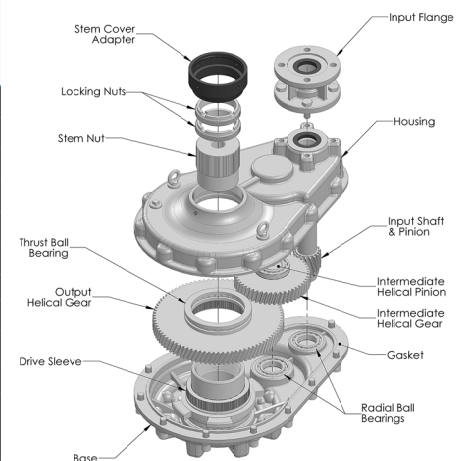


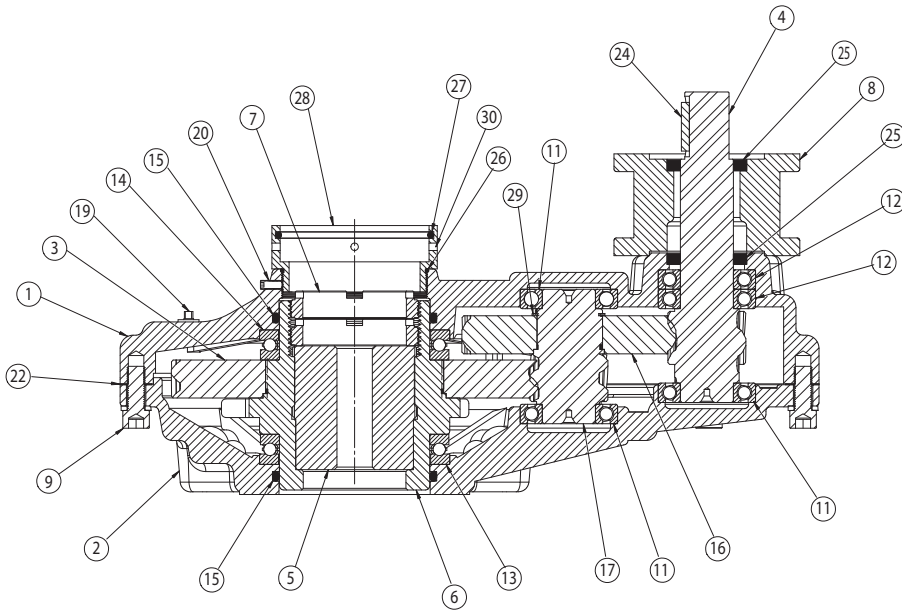
SR series spur gearboxes are easily adapted for motorized operation by MX, L120 and SMB actuators.



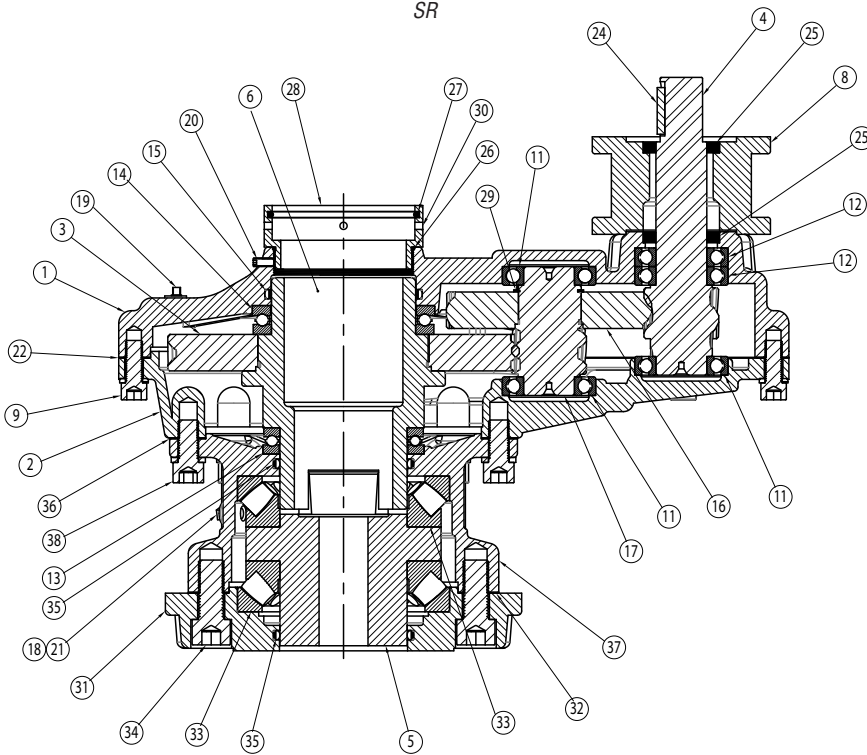
### Ratings

Gearbox	Ratio	Stem Capacity		Output Thrust Rating (manual and motorized)		Output Torque Rating (manual and motorized)	
		Inches	MM	Lbs	kN	ft-lb	N-m
SR200	4, 5, 6, or 12	2.44	62	42 710	190	1106	1500
SR300	4, 6, 8, or 13	2.83	72	64 750	288	1844	2500
SR400	5, 8, 10, or 14	3.86	98	89 920	400	3835	5200
SR500	5, 8, 10, or 15	4.53	115	114 650	510	5753	7800
SR600	5, 8, 10, or 16	5.12	130	519 300	2310	9588	13 000
SR700	5, 8, 10, or 17	5.91	150	562 020	2500	12 981	17 600
SR200H	4, 5, 6, or 12	2.56	65	242 800	1080	2139	2900
SR300H	4, 6, 8, or 13	3.15	80	384 400	1710	3319	4500
SR400H	5, 8, 10, or 14	3.74	95	550 800	2450	7228	9800
SR500H	5, 8, 10, or 15	4.33	110	651 900	2900	11 063	15 000
SR600H	5, 8, 10, or 16	5.12	130	786 800	3500	16 964	23 000
SR700H	5, 8, 10, or 17	5.91	150	1 056 600	4700	27 290	37 000





SR



SR\_H

SR			SRH		
Item No.	Description	Qty	Item No.	Description	Qty
1	Housing	1	1	Housing	1
2	Base	1	2	Base	1
3	Output Helical Gear	1	3	Output Helical Gear	1
4	Input Shaft & Pinion	1	4	Input Shaft & Pinion	1
5	Stem Nut	1	5	Stem Nut	1
6	Drive Sleeve	1	6	Drive Sleeve	1
7	Lock Nut	2	7	N/A	N/A
8	Input Flange	1	8	Input Flange	1
9	Cap Screw	12	9	Cap Screw	12
10	Cap Screw	4	10	Cap Screw	4
11	Radial Ball Bearing	3	11	Radial Ball Bearing	3
12	Radial Ball Bearing	2	12	Radial Ball Bearing	2
13	Thrust Ball Bearing	1	13	Thrust Ball Bearing	1
14	Thrust Ball Bearing	1	14	Thrust Ball Bearing	1
15	O-Ring	2	15	O-Ring	1
16	Intermediate Helical Gear	1	16	Intermediate Helical Gear	1
17	Intermediate Helical Pinion	1	17	Intermediate Helical Pinion	1
18	N/A	N/A	18	Pipe Plug	1
19	Pipe Plug	1	19	Pipe Plug	1
20	Set Screw	1	20	Set Screw	1
21	N/A	N/A	21	Pipe Plug	1
22	Gasket	1	22	Gasket	1
23	Eye Bolt	2	23	Eye Bolt	2
24	Key	1	24	Key	1
25	Oil Seal	2	25	Oil Seal	2
26	O-Ring	1	26	O-Ring	1
27	O-Ring	1	27	O-Ring	1
28	Stem Cover Adapter	1	28	Stem Cover Adapter	1
29	Retaining Ring	1	29	Retaining Ring	1
30	Set Screw	4	30	Set Screw	4
31	Thrust Base	1	31	Thrust Base	1
32	Gasket	1	32	Gasket	1
33	Thrust Roller Bearing	2	33	Thrust Roller Bearing	2
34	Cap Screw	8	34	Cap Screw	8
35	O-Ring	2	35	O-Ring	2
36	Gasket	1	36	Gasket	1
37	Thrust Housing	1	37	Thrust Housing	1
38	Cap Screw	8	38	Cap Screw	8

Flowserve Corporation has established industry leadership in the design and manufacture of its products. When properly selected, this Flowserve product is designed to perform its intended function safely during its useful life. However, the purchaser or user of Flowserve products should be aware that Flowserve products might be used in numerous applications under a wide variety of industrial service conditions. Although Flowserve can (and often does) provide general guidelines, it cannot provide specific data and warnings for all possible applications. The purchaser/user must therefore assume the ultimate responsibility for the proper sizing and selection, installation, operation and maintenance of Flowserve products. The purchaser/user should read and understand the Installation Operation Maintenance (IOM) instructions included with the product, and train its employees and contractors in the safe use of Flowserve products in connection with the specific application.

While the information and specifications contained in this literature are believed to be accurate, they are supplied for informative purposes only and should not be considered certified or as a guarantee of satisfactory results by reliance thereon. Nothing contained herein is to be construed as a warranty or guarantee, express or implied, regarding any matter with respect to this product. Because Flowserve is continually improving and upgrading its product design, the specifications, dimensions and information contained herein are subject to change without notice. Should any question arise concerning these provisions, the purchaser/user should contact Flowserve Corporation at any one of its worldwide operations or offices.

© 2015 Flowserve Corporation, Irving, Texas, USA. Flowserve is a registered trademark of Flowserve Corporation.

**To find your local Limitorque representative, visit [www.limitorque.com](http://www.limitorque.com) or call USA 434 528 4400.**

**United States**  
 Flowserve Limitorque  
 5114 Woodall Road  
 Lynchburg, VA 24502 USA  
 Telephone: 434 528 4400  
 Fax: 434 845 9736

FCD LMENFL3702-00-AQ 11/15 © 2015 Flowserve Corporation.