

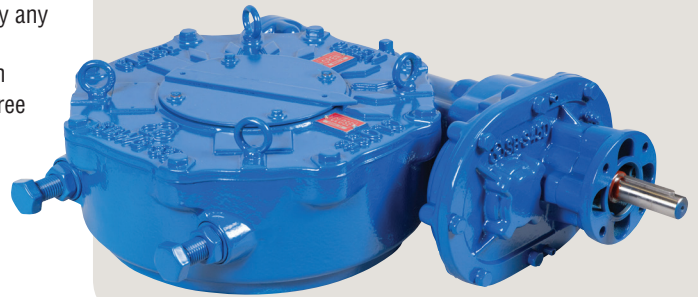
The rugged and reliable WG series worm gearboxes are constructed for manual or motorized operation. With ductile iron housings, bearing-supported shafts, and well-designed sealing, the WG stands up to the environmental challenges of weatherproof, submersible and buried service applications. Alternate input shaft assembly positions can be accomplished in the field due to the concentric housing design. The splined adapter is captive in the housing, eliminating the concerns over proper engagement of the adapter on the valve shaft. The range of spur gear reductions allows the WG to meet operating times for virtually any application.

The WG meets AWWA C504 requirements for manual operation and, when motorized, meets AWWA C542 requirements. High-quality, maintenance-free construction will provide years of dependable operation.

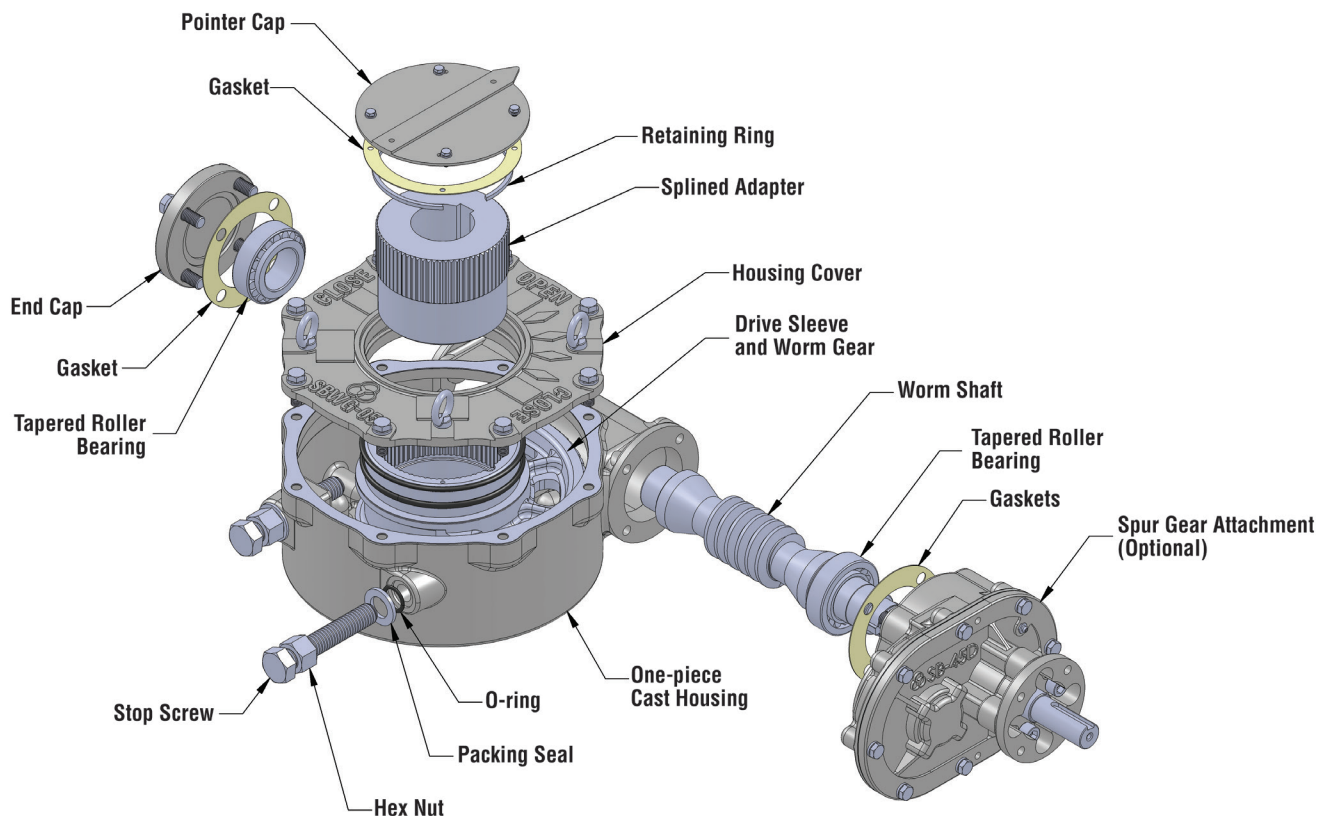
### Features and Benefits

- Meets AWWA C504 and C542 when motorized with MX, L120 or SMB actuators
- Lubricated for life
- Available for 360° operation
- Input flanges machined in accordance with MSS SP-102, with keyed input shaft
- Available for buried service and submersibility to IP 68
- Self-locking gearing
- High mechanical advantage
- Ductile iron enclosure

The WG series, when motorized by MX, L120 or SMB actuators, provides effective and reliable solutions for quarter-turn or multi-turn process control applications.



- 90° ±5° (adjustable) travel for quarter-turn applications
- Up to 715,435 ft-lb / 970,000 N-m torque output
- Worm gears available in bronze or ductile iron
- -35°C to 90°C (-31°F to 194°F) temperature range for continuous operation (options to -50°C)





### Ratings

Gearbox	Ratio	Mechanical Advantage*	Stem Capacity		Output Torque Rating (manual & motorized)		Input Torque for Output Torque Rating	
			Inches	mm	ft-lbs	Nm	ft-lbs	Nm
WG-00	40:1	13,6	1.125 - 1/4 x 1/4 1.188 - 1/4 x 3/16	29 - 8x7	738	1.000	54	74
WG-02	48:1	15,4	1.875 - 1/2 x 1/2 2.000 - 1/2 x 3/8	51 - 16x10	1.920	2.600	125	169
WG-03	52:1	16,1	2.375 - 5/8x5/8 2.563 - 5/8x7/16	65 - 18x11	3.170	4.300	197	267
WG-03-1SD	217:1	52,1					61	83
WG-35	52:1	18,2	2.625 - 5/8x5/8	72 - 20x12	4.500	6.100	247	335
WG-35-1SD	148:1	38,5	2.813 - 3/4x1/2	88 - 25 x 14	7.670	10.399	117	158
WG-04	56:1	19,0	3.250 - 3/4x3/4				404	547
WG-04-1SD	252:1	65,5	3.375 - 7/8x5/8	106 - 28 x 16	11.720	15.890	117	159
WG-05	60:1	20,4	3.813 - 1x1				575	779
WG-05-1SD	388:1	100,9	4.000 - 1x3/4	115 - 32 x 18	17.330	23.497	116	158
WG-55	62:1	21,7	4.250 - 1x1				799	1.083
WG-55-1S	186:1	57,7	4.500 - 1x3/4	128-32X18	24.190	32.797	300	407
WG-55-1SD	372:1	96,7	4.500 - 1x3/4				179	243
WG-55-1SD	558:1	145,1	4.500 - 1-1/4X1-1/4 4.875 - 1-1/4X7/8	164 - 40x22	37.690	51.101	119	162
WG-06	64:1	21,1	4.500 - 1-1/4X1-1/4 4.875 - 1-1/4X7/8				1.146	1.555
WG-06-1SD	768:1	192,0	5.875 - 1-1/2X1-1/2 6.313 - 1-1/2X1	188 - 45 x 25	60.110	81.498	126	171
WG-07	68:1	23,1	5.875 - 1-1/2X1-1/2 6.313 - 1-1/2X1				1.632	2.212
WG-07-1SD	350:1	87,5	6.688 - 1-3/4X1-3/4 6.875 - 1-3/4X1-1/2	228 - 50 x 28	89.240	120.992	431	584
WG-07-1SD	674:1	168,5					224	303
WG-75	66:1	21,8	8.250 - 2X2 8.500 - 2X1-1/2	258 - 56 x 32	141.980	192.497	2.757	3.739
WG-75-1S	330:1	99,0					607	823
WG-75-1SD	394:1	98,5	10.000 - 2-1/2X2-1/2 10.750 - 2-1/2x1-3/4	286 - 63 x 32	202.830	274.997	610	828
WG-75-1SD	544:1	136,0					442	599
WG-75-1SD	1084:1	271,0	11.000 - 2-1/2x2-1/2 11.750 - 3x2	318 - 70 x 36	326.000	441.991	222	301
WG-08	66:1	21,7					4.112	5.576
WG-08-1S	330:1	92,4	9.250 - 2-1/2X2-1/2 9.625 - 2-1/2X1-3/4	286 - 63 x 32	202.830	274.997	966	1.310
WG-08-1SD	394:1	98,5					906	1.229
WG-08-1SD	770:1	192,5	10.000 - 2-1/2X2-1/2 10.750 - 2-1/2x1-3/4	318 - 70 x 36	326.000	441.991	464	629
WG-08-1SD	1417:1	354,2					252	342
WG-09	66:1	25,1	11.000 - 2-1/2x2-1/2 11.750 - 3x2	318 - 70 x 36	326.000	441.991	5.657	7.670
WG-09-1S	330:1	108,9					1.304	1.768
WG-09-1SD	394:1	114,3	10.000 - 2-1/2X2-1/2 10.750 - 2-1/2x1-3/4	286 - 63 x 32	202.830	274.997	1.242	1.684
WG-09-1SD	1155:1	334,9					424	575
WG-10	64:1	23,7	11.000 - 2-1/2x2-1/2 11.750 - 3x2	318 - 70 x 36	326.000	441.991	8.558	11.605
WG-10-1S	320:1	102,4					1.981	2.686
WG-10-1SD	422:1	122,4	11.000 - 2-1/2x2-1/2 11.750 - 3x2	318 - 70 x 36	326.000	441.991	1.657	2.247
WG-10-1SD	640:1	185,6					1.093	1.482
WG-10-1SD	1600:1	464,0	11.000 - 2-1/2x2-1/2 11.750 - 3x2	318 - 70 x 36	326.000	441.991	437	593
WG-11	68:1	25,2					12.937	17.542
WG-11-1S	340:1	112,2	11.000 - 2-1/2x2-1/2 11.750 - 3x2	318 - 70 x 36	326.000	441.991	2.906	3.940
WG-11-1SD	448:1	129,9					2.510	3.403
WG-11-1SD	816:1	236,6	11.000 - 2-1/2x2-1/2 11.750 - 3x2	318 - 70 x 36	326.000	441.991	1.378	1.868
WG-11-1SD	994:1	288,3					1.131	1.533

\* Mechanical Advantage is based on WGs with bronze worm gears

**WG gearboxes are available for torque requirements to 715,435 ft. lbs (970,000 Nm). Contact Flowserve Limitorque for assistance with these applications**

Flowserve Corporation has established industry leadership in the design and manufacture of its products. When properly selected, this Flowserve product is designed to perform its intended function safely during its useful life. However, the purchaser or user of Flowserve products should be aware that Flowserve products might be used in numerous applications under a wide variety of industrial service conditions. Although Flowserve can (and often does) provide general guidelines, it cannot provide specific data and warnings for all possible applications. The purchaser/user must therefore assume the ultimate responsibility for the proper sizing and selection, installation, operation and maintenance of Flowserve products. The purchaser/user should read and understand the Installation Operation Maintenance (IOM) instructions included with the product, and train its employees and contractors in the safe use of Flowserve products in connection with the specific application. While the information and specifications contained in this literature are believed to be accurate, they are supplied for informative purposes only and should not be considered certified or as a guarantee of satisfactory results by reliance thereon. Nothing contained herein is to be construed as a warranty or guarantee, express or implied, regarding any matter with respect to this product. Because Flowserve is continually improving and upgrading its product design, the specifications, dimensions and information contained herein are subject to change without notice. Should any question arise concerning these provisions, the purchaser/user should contact Flowserve Corporation at any one of its worldwide operations or offices.

© 2015 Flowserve Corporation, Irving, Texas, USA. Flowserve is a registered trademark of Flowserve Corporation.

**To find your local Limitorque representative, visit:**  
**[www.flowserve.com/limitorque](http://www.flowserve.com/limitorque) or call 1 434 528 4400.**

**United States**  
Flowserve Limitorque  
5114 Woodall Road  
Lynchburg, VA 24502 USA  
Telephone: 434 528 4400  
Fax: 434 845 9736

FCD LMENFL2102-04-AQ 04/19 © 2015 Flowserve Corporation.