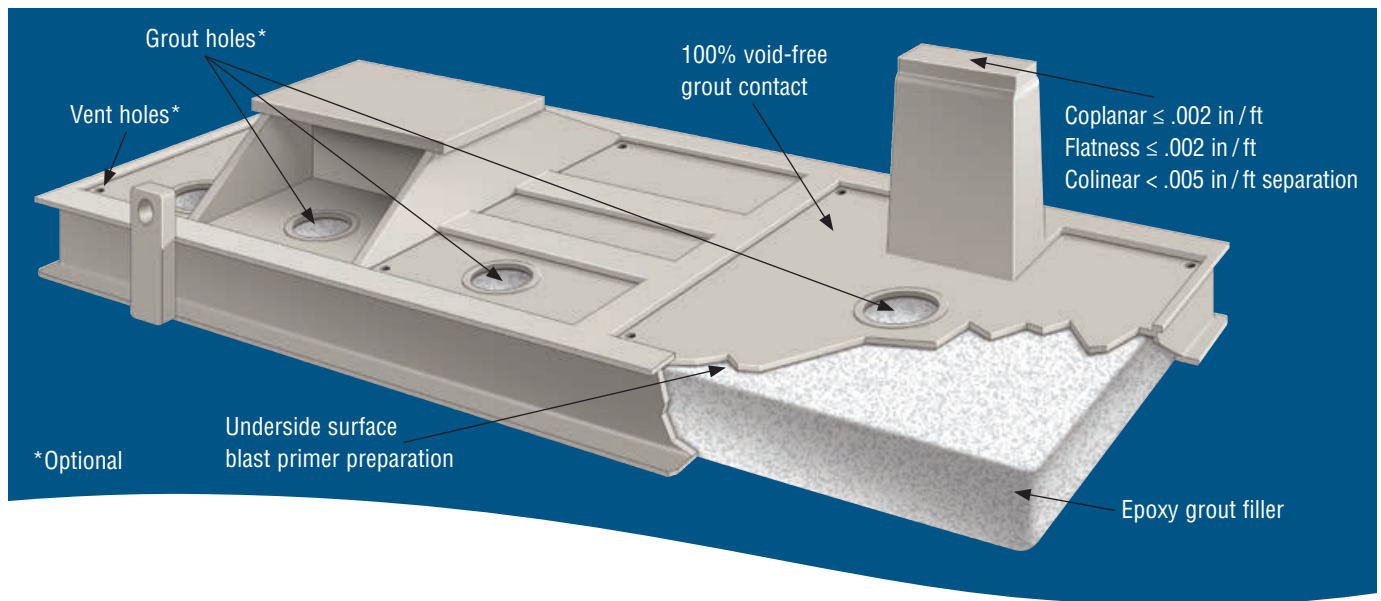


Stay-Tru[®] Pre-Grouted Baseplate System



Why Pre-Grout?

Conventional installation of baseplate grouting can be costly and doesn't always result in a successful outcome. Improper installations can sometimes lead to voids and distorted machine surfaces.

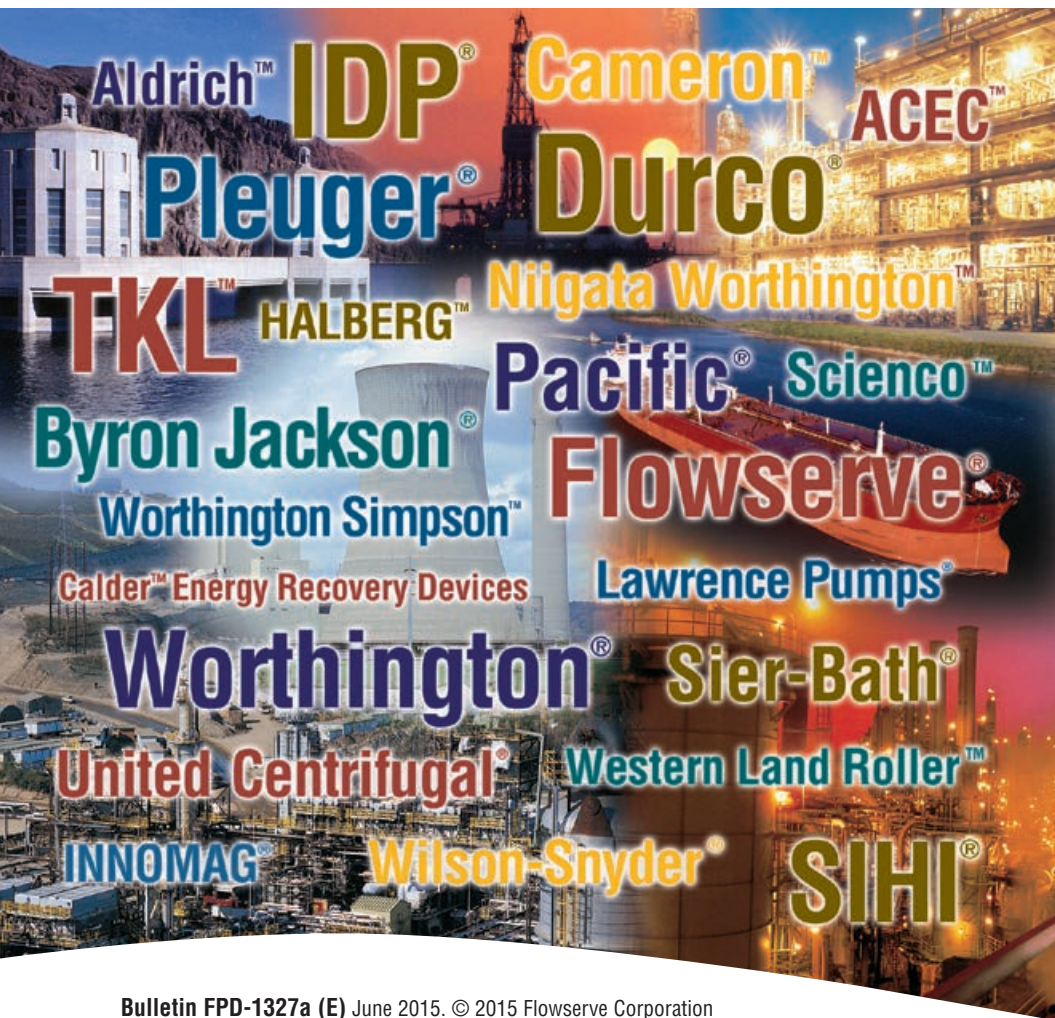
The Stay-Tru Pre-Grouted Baseplate System is a comprehensive grouting solution that includes:

- Detailed inspection of the primer system used on the underside of the baseplate
- Proper preparation of the primer for grouting
- Grouting of the baseplate
- Post-curing of the grout material
- Detailed post-grout inspection of the baseplate mounting surfaces to assure compliance with API 686 tolerances
- Precision grinding or machining to reclaim necessary tolerances as required

Benefits

The Stay-Tru Pre-Grouted Baseplate System provides the following benefits:

- An economical alternative to traditional field grouting methods
- A void-free installation
- Eliminates the hidden costs of field machining and void repair
- Minimizes overhead costs associated with non-compliance meetings and field engineering time
- Prevents dis-bondment of the grout/baseplate interface through proper surface and primer inspection
- Provides increased rigidity and stability of the baseplate
- All surfaces are flat, coplanar and colinear in accordance with API 686 tolerances
- 30% reduction in cost compared to traditional field installation procedures



USA and Canada

Flowserve Corporation
5215 North O'Connor Blvd.
Suite 2300
Irving, Texas 75039-5421 USA
Telephone: +1 937 890 5839

Europe, Middle East, Africa

Flowserve Corporation
Parallelweg 13
4878 AH Etten-Leur
The Netherlands
Telephone: +31 76 502 8100

Latin America

Flowserve Corporation
Martín Rodríguez 4460
B1644CGN-Victoria-San Fernando
Buenos Aires, Argentina
Telephone: +54 11 4006 8700
Telefax: +54 11 4714 1610

Asia Pacific

Flowserve Pte. Ltd.
10 Tuas Loop
Singapore 637345
Telephone: +65 6771 0600
Telefax: +65 6862 2329

Bulletin FPD-1327a (E) June 2015. © 2015 Flowserve Corporation

To find your local Flowserve representative:

For more information about Flowserve Corporation,
visit www.flowserve.com or call +1 937 890 5839.