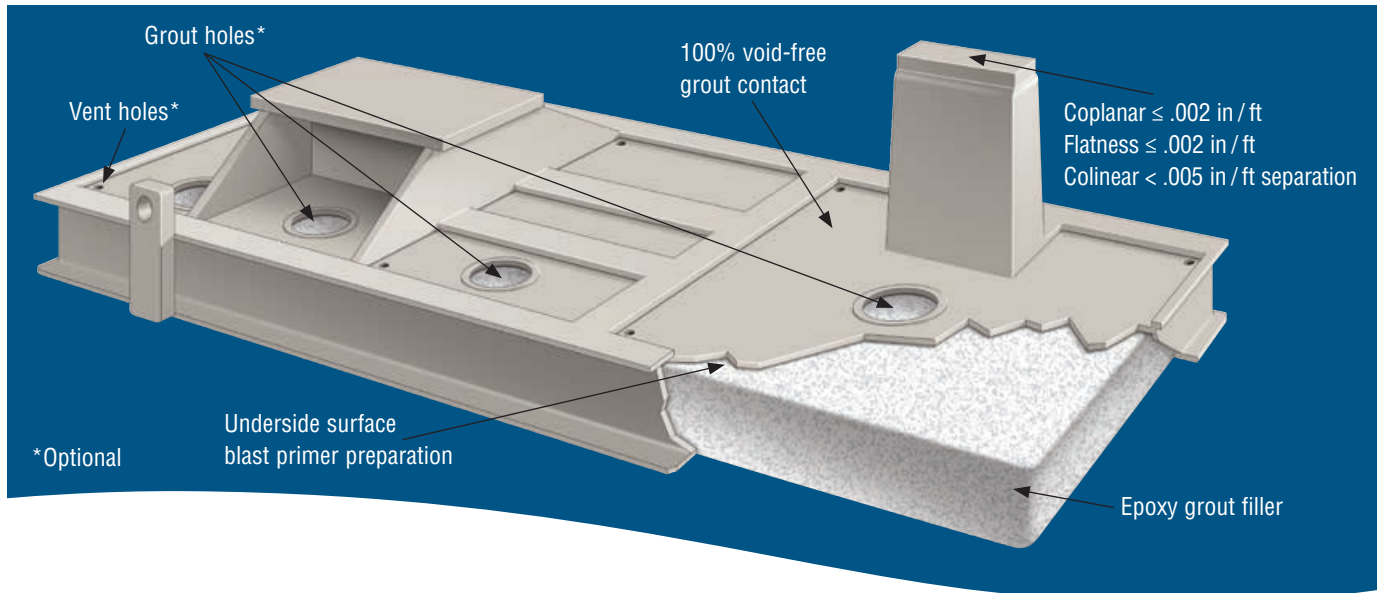


# Stay-Tru<sup>®</sup> Pre-Grouted Baseplate System



## Why Pre-Grout?

*Conventional installation of baseplate grouting can be costly and doesn't always result in a successful outcome. Improper installations can sometimes lead to voids and distorted machine surfaces.*

The Stay-Tru Pre-Grouted Baseplate System is a comprehensive grouting solution that includes:

- Detailed inspection of the primer system used on the underside of the baseplate
- Proper preparation of the primer for grouting
- Grouting of the baseplate
- Post-curing of the grout material
- Detailed post-grout inspection of the baseplate mounting surfaces to assure compliance with API 686 tolerances
- Precision grinding or machining to reclaim necessary tolerances as required

## Benefits

The Stay-Tru Pre-Grouted Baseplate System provides the following benefits:

- An economical alternative to traditional field grouting methods
- A void-free installation
- Eliminates the hidden costs of field machining and void repair
- Minimizes overhead costs associated with non-compliance meetings and field engineering time
- Prevents dis-bondment of the grout/baseplate interface through proper surface and primer inspection
- Provides increased rigidity and stability of the baseplate
- All surfaces are flat, coplanar and colinear in accordance with API 686 tolerances
- 30% reduction in cost compared to traditional field installation procedures



Bulletin FPD-1327a (E/A4) June 2015. © 2015 Flowserve Corporation

*To find your local Flowserve representative:*

For more information about Flowserve Corporation, visit [www.flowserve.com](http://www.flowserve.com) or call +1 937 890 5839.

**USA and Canada**

Flowserve Corporation  
5215 North O'Connor Blvd.  
Suite 2300  
Irving, Texas 75039-5421 USA  
Telephone: +1 937 890 5839

**Europe, Middle East, Africa**

Flowserve Corporation  
Parallelweg 13  
4878 AH Etten-Leur  
The Netherlands  
Telephone: +31 76 502 8100

**Latin America**

Flowserve Corporation  
Martín Rodríguez 4460  
B1644CGN-Victoria-San Fernando  
Buenos Aires, Argentina  
Telephone: +54 11 4006 8700  
Telefax: +54 11 4714 1610

**Asia Pacific**

Flowserve Pte. Ltd.  
10 Tuas Loop  
Singapore 637345  
Telephone: +65 6771 0600  
Telefax: +65 6862 2329