



QB Series Balanced pusher seals



Experience In Motion

Undeniable workhorse for hydrocarbons, water and everything in between

QB Series seals are balanced pusher seals available in single and dual seal configurations used for sealing environmentally restricted products and meeting the most stringent regulations. They are fully compliant with API 682 Type A and NSF/ANSI/CAN 61 requirements.

QB Series seals are differentiated by their wide range of standardized feature packages and comprehensive custom options library. From hot water to light hydrocarbons, QB Series seals are easily configured to cover the vast majority of a plant's low and moderate duty services. Seal faces can be optimized for each application. QB Series seals complement API 610 standard and general industry pumps by installing as a unitized cartridge without requiring pump modifications in almost all cases.

API 682 Arrangements 1 and 2

Single QB Series seals and the inner seals of dual unpressurized seals operate directly on the process fluid and must be selected based on the type of fluid being pumped.

- QB** Seal face balance optimized for non-flashing water, hydrocarbon, acids and amines
- QBU** Features Flowserve precision face topography lube grooves, for use on flashing water applications such as boiler feed water
- QBQ** Seal face balance optimized for flashing hydrocarbons; capable of emissions levels less than 500 ppm
- QBQ LZ** Features Flowserve precision face topography waves, for use on flashing hydrocarbon applications where the seal chamber pressure is at or near the fluid's vapor pressure
- QBS** Replaces multiple coil springs with a large single coil spring to provide the highest resistance to clogging in dirty services

API 682 Arrangement 3

Dual seals with pressurized barrier fluid are unique in that during upset conditions, the pressure acting on the seal can reverse directions. To handle these upsets, the QB Series seals include double-balanced seal face technology to handle pressure from either the process or barrier fluid side of the seal faces.

- QBB** Double-balanced seal face optimized for face-to-back configured Arrangement 3 seals
- QB2B** Double-balanced seal face optimized for back-to-back configured Arrangement 3 seals

NSF/ANSI/CAN 61 certification

- QB-61** Certified to NSF/ANSI/CAN 61 and NSF/ANSI/CAN 372 for applications that involve drinking water, from the source to the tap. These certifications cover all wetted components.



Certified to
NSF/ANSI/CAN 61
& NSF/ANSI/CAN 372

Seal faces optimized for the application

Flowserve precision face topography hydropads, lube grooves, waves and diamond coatings reduce seal face heat generation and wear in low-lubricity, flashing fluid applications.



Features and benefits

Barrier fluid circulation extends seal reliability

To keep seal faces cool and properly lubricated, integrated axial and radial flow circulating devices are available for single seals with Plan 23 or dual seals to move fluid from the seal to the seal cooler or reservoir.

Handle upset conditions

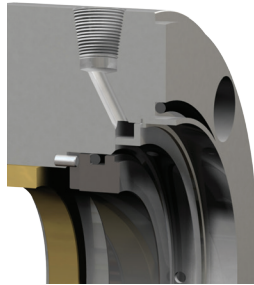
Fully retained parts and double-balanced inner seals enable dual QB Series seals to survive seal chamber over-pressurization or loss of barrier fluid pressure.

Withstand torque with solid seal face drive keys

Solid drive keys efficiently transmit torque loads from the seal face without deforming. The large radius on the drive key couples with a similar radius on the seal face, providing full-length engagement to prevent edge chipping.

Multiport flush design improves heat dissipation for uniform face cooling

A distribution ring connected to the seal's flush port and located co-axially with the sealing interface improves the cooling efficiency of Piping Plans 11, 14, 21, 31 and 32 by injecting the flush flow 360 degrees around the seal faces.



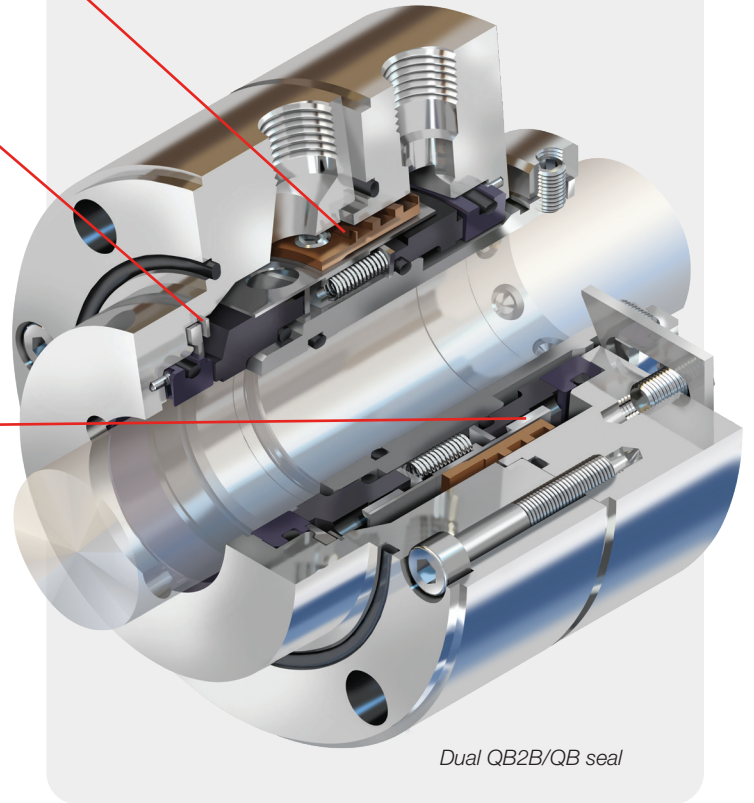
Advanced spring holder design

A rotating spring holder with radial openings at both ends of the springs uses centrifugal force to create circulation through the springs. This feature keeps springs clean and properly functioning to accommodate for shaft axial movement and thermal growth.



Part interchangeability between single and dual seal arrangements

Minimizes inventory requirements and maximizes design flexibility.



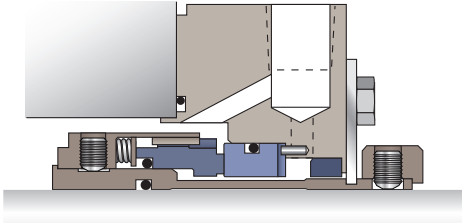
Reliability-enhancing features from the custom options library meet specific customer needs

QB Series seals can be configured with a number of additional features, including:

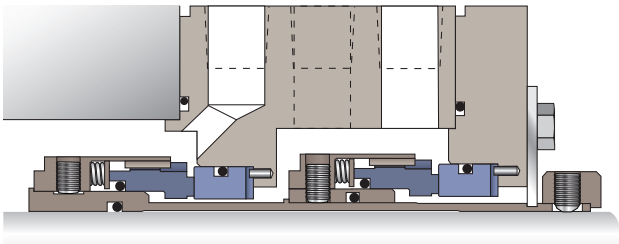
- Isolating seal chamber throat bushings
- Wear-resistant overlays for metal parts
- Secondary containment devices
- High-pressure sleeve drive collars
- Thermal isolation devices and cooling jackets



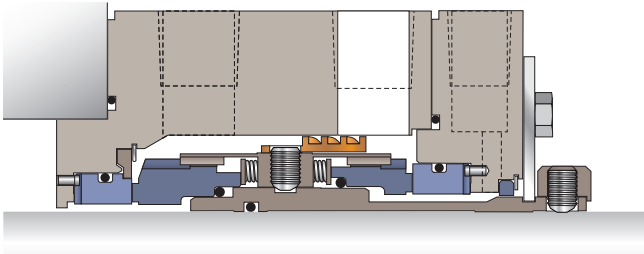
Available arrangements



Arrangement 1 QB single seal with fixed throttle bushing for secondary containment



Arrangement 2 QBQ/QBQ unpressurized dual seal with liquid buffer fluid provides near-zero emissions sealing



Arrangement 3 QB2B/QB back-to-back pressurized dual seal with barrier fluid provides zero-emissions sealing

Materials of construction

Metal components

316 stainless steel, Alloy C-276, Alloy 20

Rotating face

Carbon, silicon carbide, diamond coating

Stationary face

Silicon carbide, tungsten carbide, diamond coating

Gaskets

Fluoroelastomer, perfluoroelastomer

Springs

Alloy C-276

Operating parameters

Pressure

to 51.7 bar (750 psi)

Temperatures

-40°C to 204°C (-40°F to 400°F)

Speed

to 23 m/s (75 fps)

Shaft sizes

12.7 to 139.7 mm (0.500 to 5.500 in)

SSFLY000073-01 (EN/AQ) December 2021

Headquarters

Flowserve Corporation
5215 North O'Connor Blvd.
Suite 700
Irving, Texas 75039-5421 USA
Telephone: +1 937 890 5839

USA and Canada

Kalamazoo, Michigan USA
Telephone: +1 269 381 2650

Europe, Middle East, Africa

Etten-Leur, The Netherlands
Telephone: +31 765 028 200

Asia Pacific

Singapore
Telephone: +65 6544 6800

Latin America

Mexico City
Telephone: +52 55 5567 7170

Flowserve Corporation has established industry leadership in the design and manufacture of its products. When properly selected, this Flowserve product is designed to perform its intended function safely during its useful life. However, the purchaser or user of Flowserve products should be aware that Flowserve products might be used in numerous applications under a wide variety of industrial service conditions. Although Flowserve can provide general guidelines, it cannot provide specific data and warnings for all possible applications. The purchaser/user must therefore assume the ultimate responsibility for the proper sizing and selection, installation, operation, and maintenance of Flowserve products. The purchaser/user should read and understand the Installation Instructions included with the product, and train its employees and contractors in the safe use of Flowserve products in connection with the specific application.

While the information and specifications contained in this literature are believed to be accurate, they are supplied for informative purposes only and should not be considered certified or as a guarantee of satisfactory results by reliance thereon. Nothing contained herein is to be construed as a warranty or guarantee, express or implied, regarding any matter with respect to this product. Because Flowserve is continually improving and upgrading its product design, the specifications, dimensions and information contained herein are subject to change without notice. Should any question arise concerning these provisions, the purchaser/user should contact Flowserve Corporation at any one of its worldwide operations or offices.

©2021 Flowserve Corporation. All rights reserved. This document contains registered and unregistered trademarks of Flowserve Corporation. Other company, product, or service names may be trademarks or service marks of their respective companies.