



Worcester Controls AS44 Swivel End Connectors for A44 Valves



Experience In Motion

Flowserve Worcester's latest product development is a simple but ingenious way to solve another process problem, and reduce installation costs at the same time.

With Worcester's new swivel type ends (which can now be supplied on butt weld Series A44 valves), installation could not be easier.

Where complicated/lengthy sections of pipe are required, pipework designs are often passed to off-site fabrication shops for welding end connectors prior to installation.

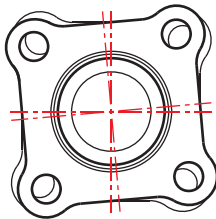
However, when it comes to final valve assembly, installation can be extremely difficult if the end connectors do not align exactly.

Using Worcester's swivel-type ends eliminates this problem as the ends of the valve can be rotated to ensure exact alignment.

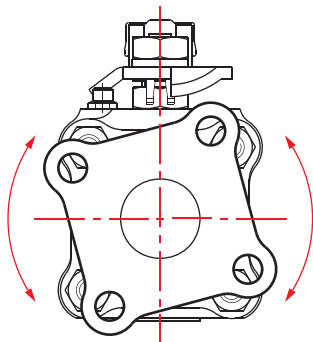
This provides the further benefit of positioning any actuator mounted on the valve more conveniently if space is constricted. Once the final orientation of the valve is achieved, the end connections of the valve can be quickly and easily tack-welded to fix their position, if required.

The greatest benefit however, comes from the time and cost savings which can be made using these ends - more than a 50% saving compared with installation of the traditional fixed type of ends. And this is a saving which can be made on any installation.

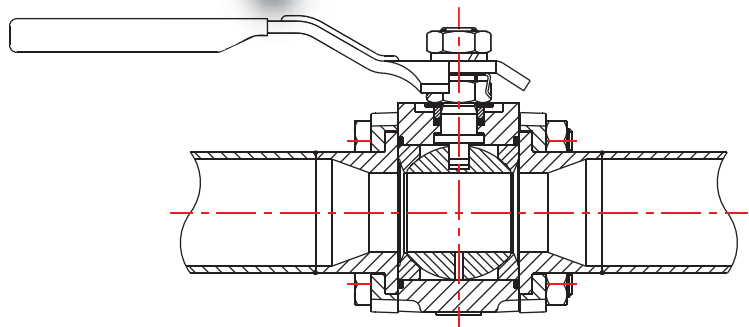
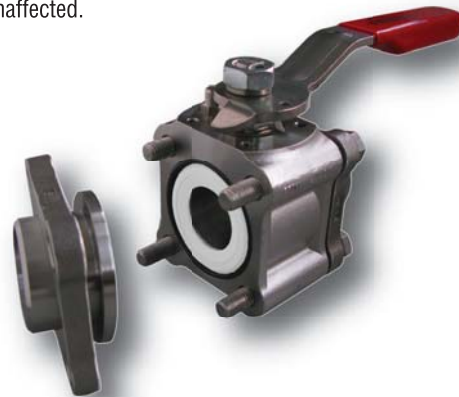
Worcester's new swivel type ends are available on the Series A44 butt-weld three-piece valves in sizes 15-50mm (½"-2") in stainless steel or carbon steel. Standard repair kits remain unaffected.



MISALIGNMENT OF TRADITIONAL END CONNECTORS MAKES INSTALLATION EXTREMELY DIFFICULT



WORCESTER'S NEW SWIVEL-TYPE ENDS CAN BE ROTATED TO ENSURE EXACT ALIGNMENT



Features

- Swivel-type ends
- Based on standard A44/A59 design
- Compact design
- Actuator mounting platform
- Locking wrench available
- Full valve pressure rating

Benefits

- For easy, precise installation
- Proven performance
- Saves space and weight
- For ease of automation
- For safety integrity
- Suitable for process line pressures

FCD WCEBR0008-01 Printed in Germany (Replaces PB71 Rev 02/03)

To find your local Flowserve representative:

For more information about Flowserve Corporation, visit www.flowserve.com or call USA 1 800 225 6989



Flowserve Flow Control
A Division of Flowserve GB Ltd.
Burrell Road, Haywards Heath
West Sussex RH16 1TL
United Kingdom
Telephone: +44 (0)1444 314400
Telefax: +44 (0)1444 314401
Email: wvukinfo@flowserve.com