



*Worcester E44
Enviro-Safe High Integrity 3-Piece Ball Valve*



Experience In Motion

The Flowserve Worcester E44 series valve uses the unique dual stem sealing concept from the E51/52 flanged valve in Worcester's proven three-piece design.

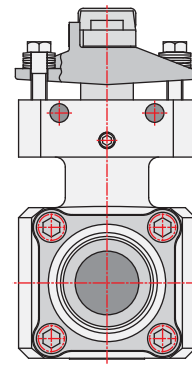
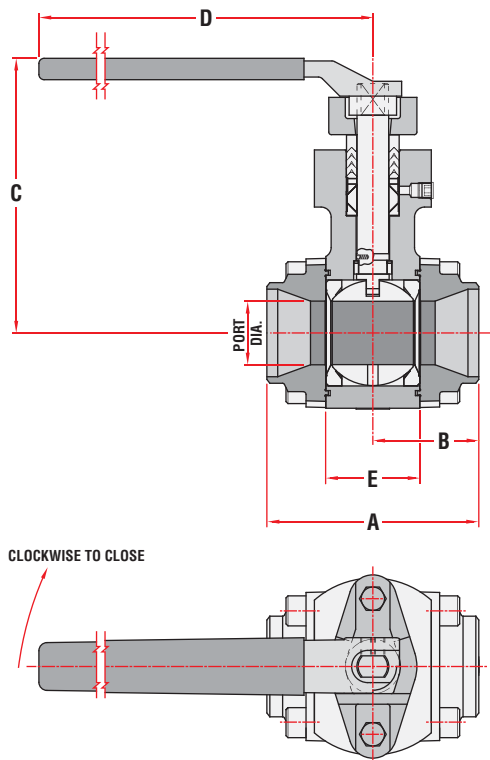
The unique primary seal is designed so that it will always fail in service before the secondary seal. With a monitoring port drilled through to a lantern ring which is located between the two sealing stages, primary seal leakage can be detected whilst the secondary seals ensure overall integrity. This unique and foolproof stem packing design is live loaded with stainless steel disc springs and has been proven in testing to be bubble tight on helium even after primary seal leakage. Primary seal integrity can then be restored by simply tightening down the gland plate.

The valve gland has been independently tested and certified to TA Luft in accordance with EPA 21 requirements.

The three-piece concept uses the high integrity body joint from the F44 series valve, providing either a PTFE or graphite seal in its own housing. This eliminates any cold flow of sealing material and maintains a high level of integrity with the use of high strength body bolts.

When welded end connectors are used the valve only has the same number of body joints that are used with a conventional flanged valve design.

Available also as the EF44 using graphite sealing material for firesafe applications.



Dimensions

Valve Size	Port Ø Min.	A	B	C	D	E
DN20	14.0	66.55	93.85	93.0	3.2	24.61
		65.42				24.49
DN25	20.4	71.31	93.85	95.5	3.5	31.75
		70.19				31.62
DN40	31.3	86.25	103.85	105.5	5.5	48.41
		85.12				48.29
DN50	37.7	97.20	103.85	110.5	6.8	56.34
		96.07				56.21

Features

- TA Luft approved primary and secondary stem sealing
- Dual stem seal integral with body
- Live loaded gland assembly
- Stem monitoring / purge port
- Blow-out proof stem
- Range of seat materials
- Integral body mounting platform

Benefits

- For ultimate sealing performance
- To minimise leak paths
- For long sealing life
- To monitor integrity
- For added safety
- For greater pressure / temperature capability
- For simpler actuation and in-line actuator removal

FCD WCEBR0011-02 Printed in Germany.

To find your local Flowserve representative:

For more information about Flowserve Corporation, visit www.flowserve.com or call USA 1 800 225 6989



Flowserve Flow Control
A Division of Flowserve GB Ltd.
 Burrell Road, Haywards Heath
 West Sussex RH16 1TL
 United Kingdom
 Telephone: +44 (0)1444 314400
 Telefax: +44 (0)1444 314401
 Email: wwukinfo@flowserve.com